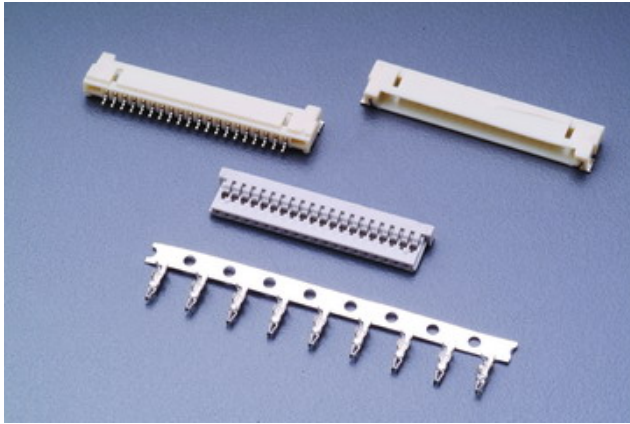


H14H SERIES

—— .049" (1.25mm) PITCH WIRE TO BOARD CONNECTOR ——



Specifications

Current rating: 1A AC,DC

Voltage rating: 150V AC,DC

Temperature range: -25°C to $+85^{\circ}\text{C}$
(including temperature rise)

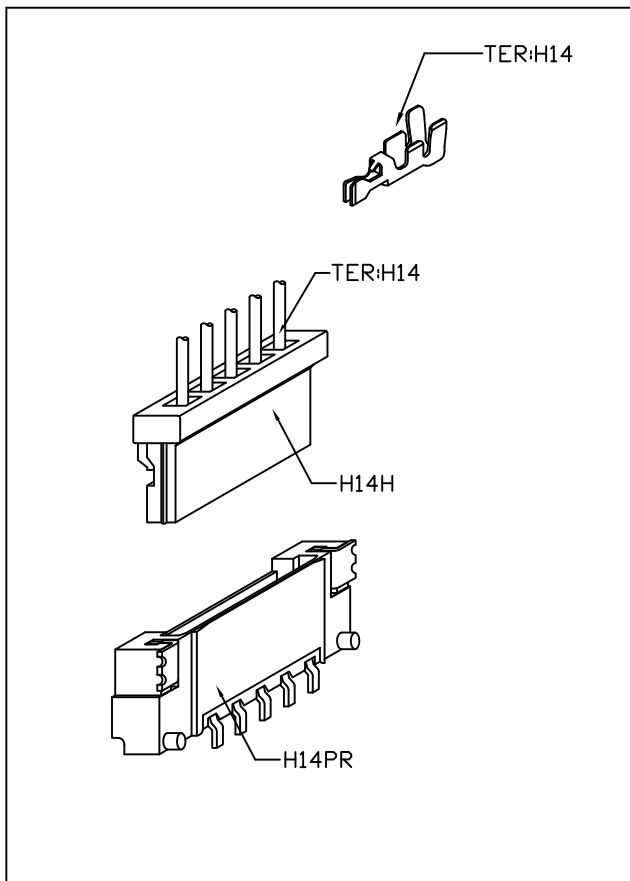
Contact resistance: Initial value/10 $\text{m}\Omega$ Max.

After environmental testing/20 $\text{m}\Omega$ Max.

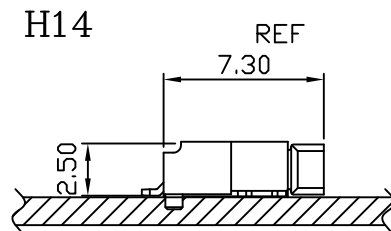
Insulation resistance: 500 $\text{M}\Omega$ MIN.

Withstanding voltage: 1000V AC/minute

Applicable wire: AWG#30-32(H14)



Assembly layout



SMT SYPE

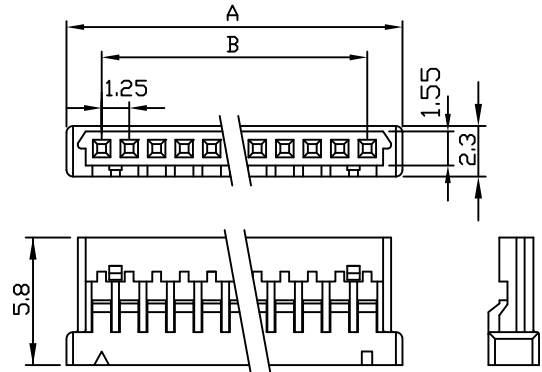
H14H .049" (1.25mm) PITCH HOUSING

Features:

unit:mm

- * MAT'L: NYLON 66,UL94V-0
- * ACCEPTS WITH: H14 SERIES TERMINAL
- * MATES WITH: H14PR SERIES WAFER

MODEL NO.	DIMENSIONS		MODEL NO.	DIMENSIONS	
	A	B		A	B
H14H-02	4.45	1.25	H14H-09	13.20	10.00
H14H-03	5.70	2.50	H14H-10	14.45	11.25
H14H-04	6.95	3.75	H14H-15	20.70	17.50
H14H-05	8.20	5.00	H14H-20	26.95	23.75
H14H-06	9.45	6.25	H14H-25	33.20	30.00
H14H-07	10.70	7.50	H14H-30	39.45	36.25
H14H-08	11.95	8.75			

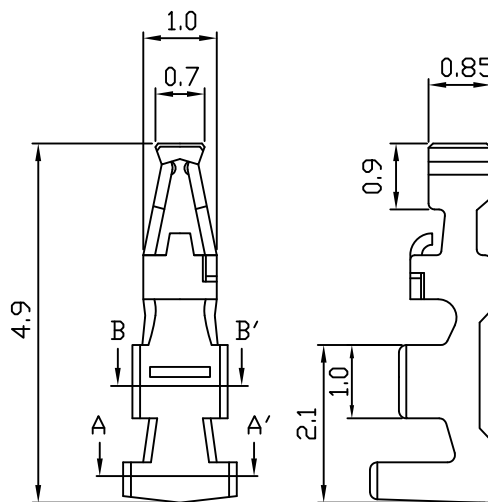
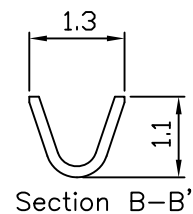
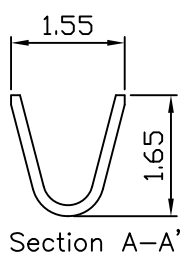


H14 .049" (1.25mm) CRIMP TERMINAL

Features:

unit:mm

- * THICKNESS: 0.15 mm
- * ACCEPTS H14H SERIES HOUSING
- * MATES WITH: H14PR SERIES WAFER



PART NO.	WIRE RANGE	INSULATION O.D.	MATERIAL	FINISH	QTY/REEL
H14	AWG#30-32	ø0.54~ø1.0mm	BRASS	Tin-plated	10.000
H14-P	AWG#30-32	ø0.54~ø1.0mm	PHOSPHOR BRONZE	Tin-plated	10.000

H14PR .049" (1.25mm) PITCH Headers—Right Angle

Features:(SMT)

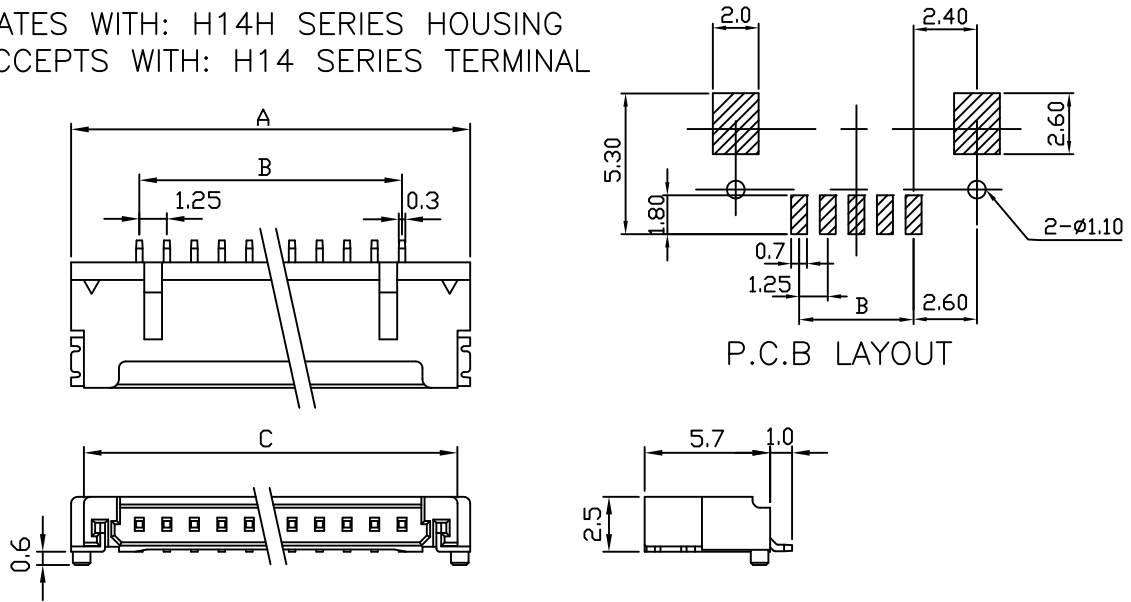
unit:mm

* MAT'L: BODY: NYLON 66,UL94V-0

PIN: PHOSPHOR BRONZE TIN PLATED

* MATES WITH: H14H SERIES HOUSING

* ACCEPTS WITH: H14 SERIES TERMINAL



MODEL NO.	DIMENSIONS			MODEL NO.	DIMENSIONS		
	A	B	C		A	B	C
H14PR-02	7.45	1.25	6.45	H14PR-09	16.20	10.00	15.20
H14PR-03	8.70	2.50	7.70	H14PR-10	17.45	11.25	16.45
H14PR-04	9.95	3.75	8.95	H14PR-15	23.70	17.50	22.70
H14PR-05	11.20	5.00	10.20	H14PR-20	29.95	23.75	28.95
H14PR-06	12.45	6.25	11.45	H14PR-25	36.20	30.00	35.20
H14PR-07	13.70	7.50	12.70	H14PR-30	42.45	36.25	41.45
H14PR-08	14.95	8.75	13.95				