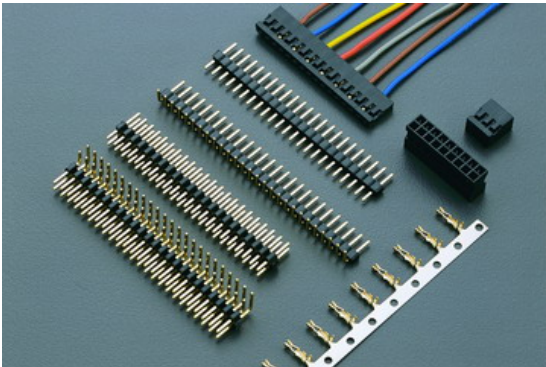


2031H SERIES

.079" (2.0mm) WIRE TO BOARD CONNECTOR



Specifications

Current rating: 1A AC,DC

Voltage rating: 250V AC,DC

Temperature range: -25°C to $+85^{\circ}\text{C}$
(including temperature rise)

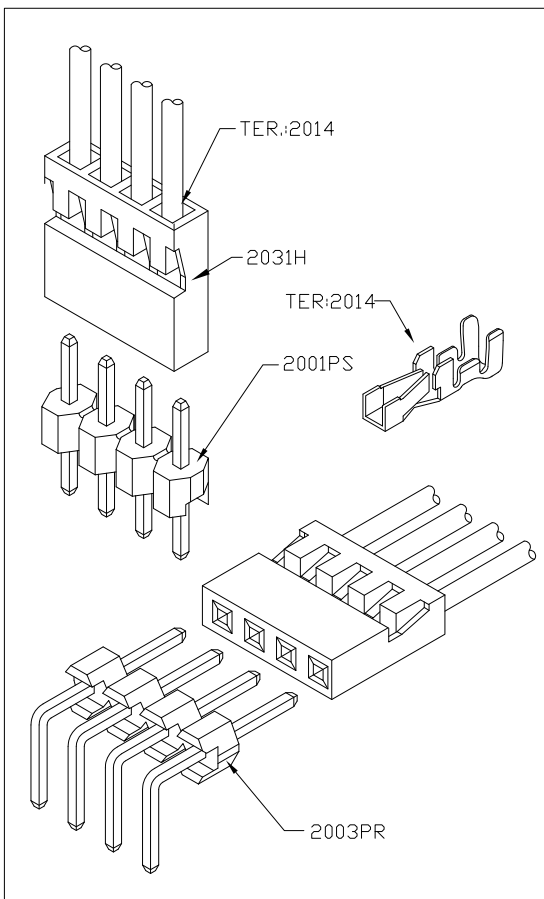
Contact resistance: Initial value/10m Ω Max.

After environmental testing/20m Ω Max.

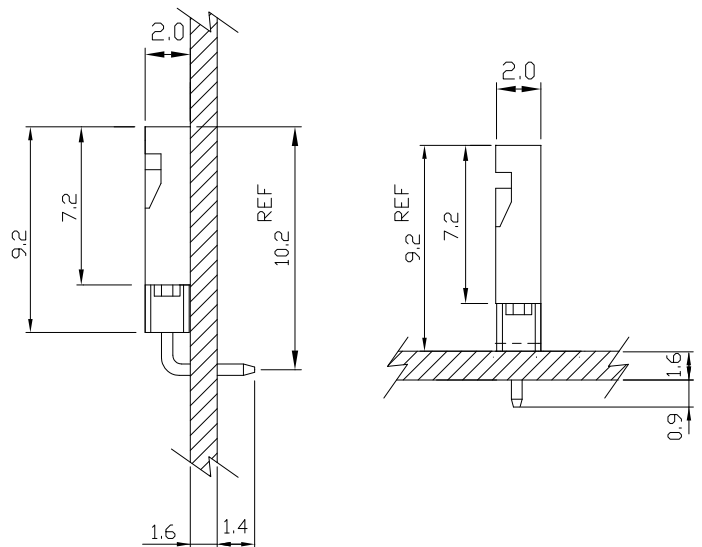
Insulation resistance: 500M Ω MIN.

Withstanding voltage: 1500V AC/minute

Applicable wire: AWG#26-28



Assembly layout

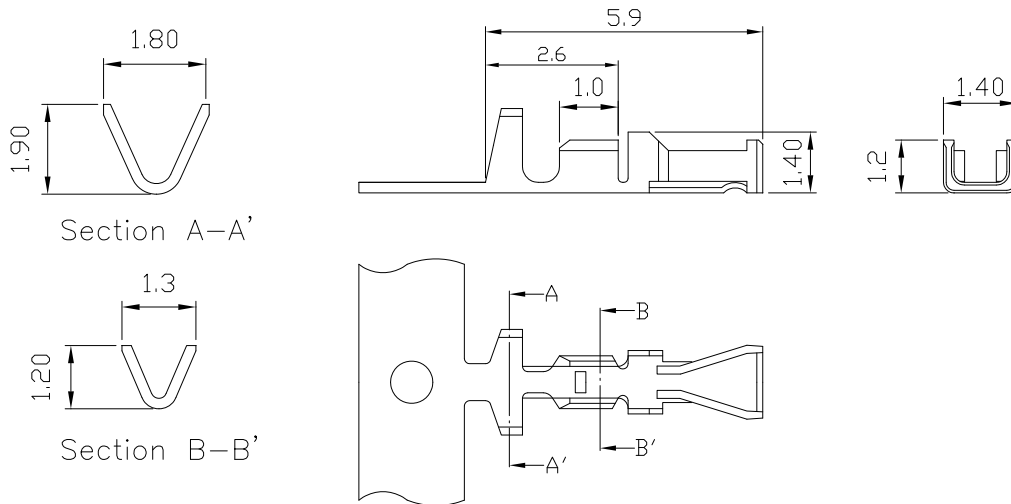


2014 .079" (2.0mm) PITCH CRIMP TERMINAL

Features:

unit:mm

- * THICKNESS: 0.2mm
- * MAT'L: PHOSPHOR BRONZE WITH TIN NICKEL, LEAD OR GOLD PLATING
- * MATES WITH: 2031H & 2032H SERIES HOUSING
- * ACCEPTS PIN SIZE: 0.5mm (.02") ROUND OR SQUARE PIN
- * ACCEPTS WITH: 2001PS, 2002PS 2003PR, 2004PR SERIES WAFER



PART NO.	WIRE RANGE	INSULATION O.D.	MATERIAL	FINISH	QTY/REEL
2014-P	AWG#26-#28	ø1.35mm MAX	PHOSPHOR BRONZE	Tin-plated	20,000

2031H 2031KEY .079" (2.0mm) PITCH CRIMP HOUSING

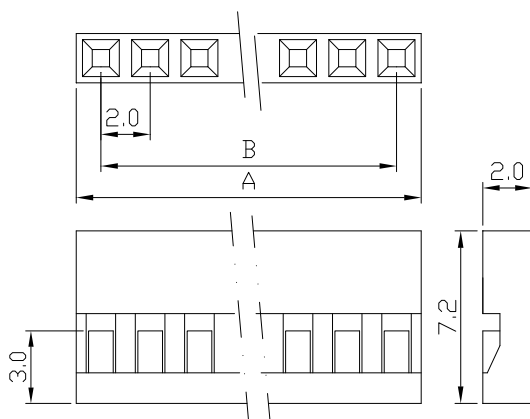
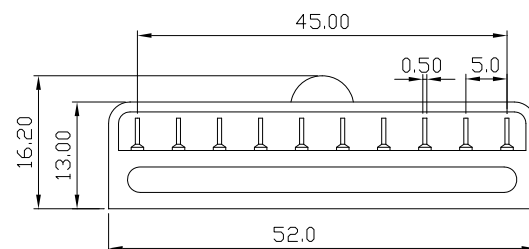
2031H

2031KEY

unit:mm

Features:

- * MAT'L: NYLON 66 UL94V-2
- * MATES WITH 2014 SERIES TERMINAL



PART NO.	A	B	PART NO.	A	B	PART NO.	A	B
2031H-02	4.0	2.0	2031H-16	32.0	30.0	2031H-30	60.0	58.0
2031H-03	6.0	4.0	2031H-17	34.0	32.0	2031H-31	62.0	60.0
2031H-04	8.0	6.0	2031H-18	36.0	34.0	2031H-32	64.0	62.0
2031H-05	10.0	8.0	2031H-19	38.0	36.0	2031H-33	66.0	64.0
2031H-06	12.0	10.0	2031H-20	40.0	38.0	2031H-34	68.0	66.0
2031H-07	14.0	12.0	2031H-21	42.0	40.0	2031H-35	70.0	68.0
2031H-08	16.0	14.0	2031H-22	44.0	42.0	2031H-36	72.0	70.0
2031H-09	18.0	16.0	2031H-23	46.0	44.0	2031H-37	74.0	72.0
2031H-10	20.0	18.0	2031H-24	48.0	46.0	2031H-38	76.0	74.0
2031H-11	22.0	20.0	2031H-25	50.0	48.0	2031H-39	78.0	76.0
2031H-12	24.0	22.0	2031H-26	52.0	50.0	2031H-40	80.0	78.0
2031H-13	26.0	24.0	2031H-27	54.0	52.0			
2031H-14	28.0	26.0	2031H-28	56.0	54.0			
2031H-15	30.0	28.0	2031H-29	58.0	56.0			