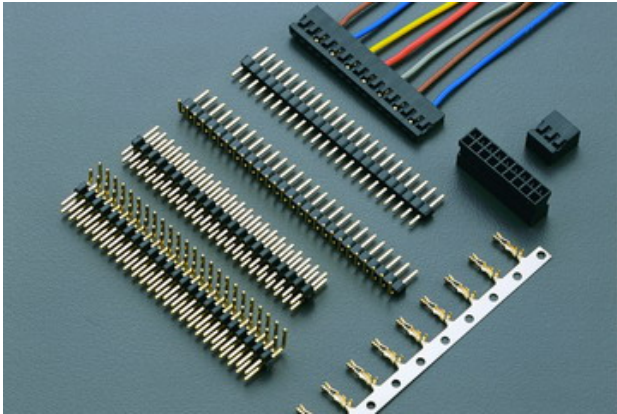


# 2032H SERIES

.079" (2.0mm) WIRE TO BOARD CONNECTOR



## Specifications

Current rating: 1A AC,DC

Voltage rating: 250V AC,DC

Temperature range:  $-25^{\circ}\text{C}$  to  $+85^{\circ}\text{C}$   
(including temperature rise)

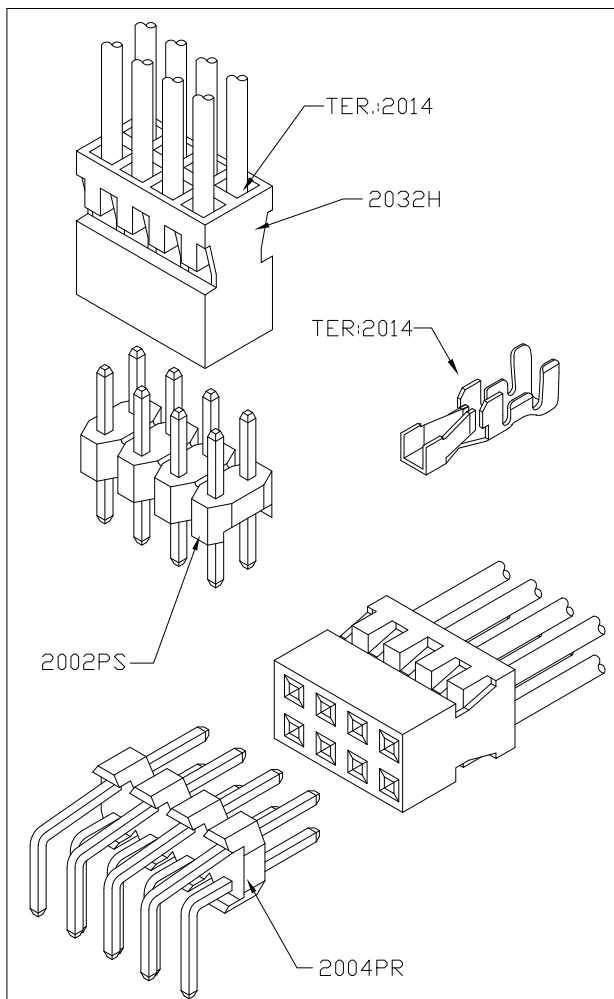
Contact resistance: Initial value/10m $\Omega$  Max.

After environmental testing/20m $\Omega$  Max.

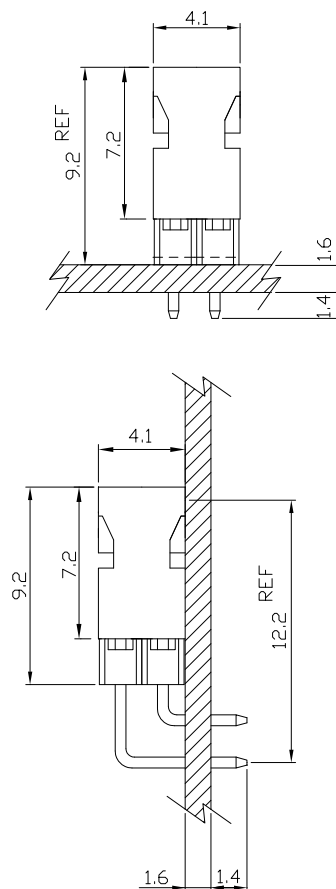
Insulation resistance: 500M $\Omega$  MIN.

Withstanding voltage: 1500V AC/minute

Applicable wire: AWG#26-28



## Assembly layout

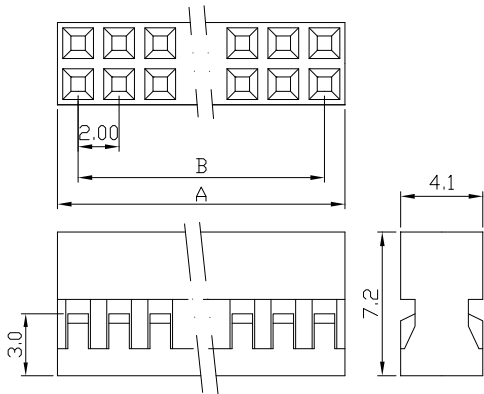


## 2032H .079" (2.0mm) PITCH CRIMP HOUSING

Features:

unit:mm

- \* MAT'L: NYLON 66 UL94V-2
- \* MATES WITH 2014 SERIES TERMINAL

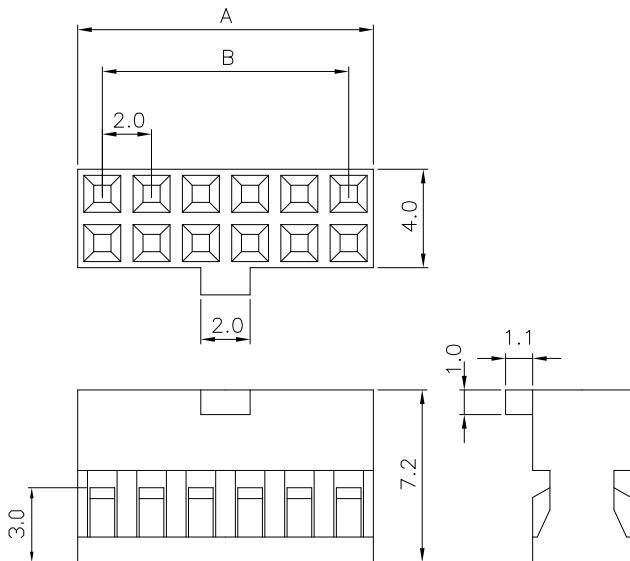


PART NO.	A	B	PART NO.	A	B	PART NO.	A	B
2032H-2x2	4.0	2.0	2032H-2x16	32.0	30.0	2032H-2x30	60.0	58.0
2032H-2x3	6.0	4.0	2032H-2x17	34.0	32.0	2032H-2x31	62.0	60.0
2032H-2x4	8.0	6.0	2032H-2x18	36.0	34.0	2032H-2x32	64.0	62.0
2032H-2x5	10.0	8.0	2032H-2x19	38.0	36.0	2032H-2x33	66.0	64.0
2032H-2x6	12.0	10.0	2032H-2x20	40.0	38.0	2032H-2x34	68.0	66.0
2032H-2x7	14.0	12.0	2032H-2x21	42.0	40.0	2032H-2x35	70.0	68.0
2032H-2x8	16.0	14.0	2032H-2x22	44.0	42.0	2032H-2x36	72.0	70.0
2032H-2x9	18.0	16.0	2032H-2x23	46.0	44.0	2032H-2x37	74.0	72.0
2032H-2x10	20.0	18.0	2032H-2x24	48.0	46.0	2032H-2x38	76.0	74.0
2032H-2x11	22.0	20.0	2032H-2x25	50.0	48.0	2032H-2x39	78.0	76.0
2032H-2x12	24.0	22.0	2032H-2x26	52.0	50.0	2032H-2x40	80.0	78.0
2032H-2x13	26.0	24.0	2032H-2x27	54.0	52.0			
2032H-2x14	28.0	26.0	2032H-2x28	56.0	54.0			
2032H-2x15	30.0	28.0	2032H-2x29	58.0	56.0			

## 2032H (Polarized) .079" (2.0mm) CRIMP HOUSING

Features:

- \* MAT'L: NYLON 66 UL94V-2
- \* MATES WITH 2014 SERIES TERMINAL



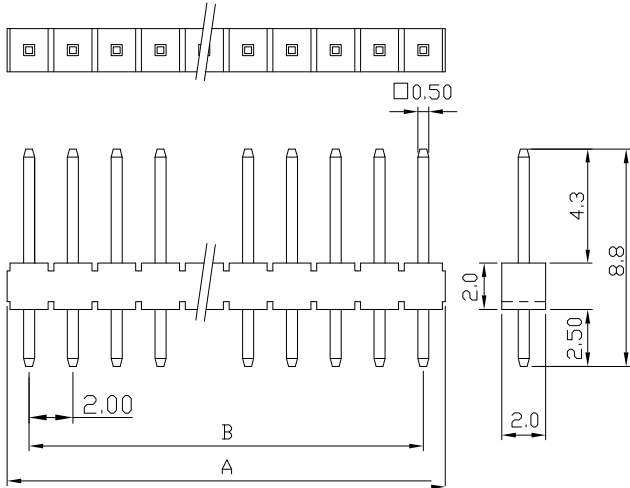
PART NO.	A	B	PART NO.	A	B
2032H-2x2	4.0	2.0	2032H-2x14	28.0	26.0
2032H-2x3	6.0	4.0	2032H-2x15	30.0	28.0
2032H-2x4	8.0	6.0	2032H-2x16	32.0	30.0
2032H-2x5	10.0	8.0	2032H-2x17	34.0	32.0
2032H-2x6	12.0	10.0	2032H-2x18	36.0	34.0
2032H-2x7	14.0	12.0	2032H-2x19	38.0	36.0
2032H-2x8	16.0	14.0	2032H-2x20	40.0	38.0
2032H-2x9	18.0	16.0	2032H-2x21	42.0	40.0
2032H-2x10	20.0	18.0	2032H-2x22	44.0	42.0
2032H-2x11	22.0	20.0	2032H-2x23	46.0	44.0
2032H-2x12	24.0	22.0	2032H-2x24	48.0	46.0
2032H-2x13	26.0	24.0	2032H-2x25	50.0	48.0

# 2001PS 2002PS SERIES

.079" (2.0mm) PITCH Headers—Straight

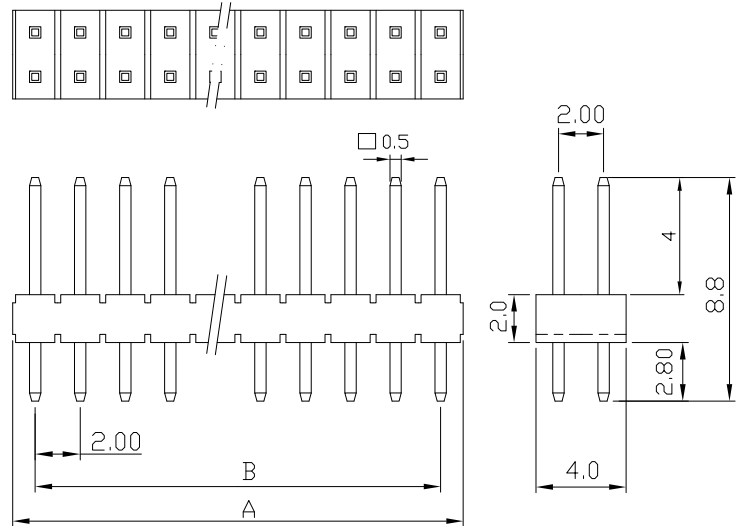
unit:mm

## 2001PS



MAT'L: BODY: PBT UL 94V-0  
 PINS: BRASS GOLD PLATED  
 MATES WITH: 2014 SERIES TERMINAL  
 ACCEPT WITH: 2031H SERIES HOUSING

## 2002PS



MAT'L: BODY: PBT UL 94V-0  
 PINS: BRASS GOLD PLATED  
 MATES WITH: 2014 SERIES TERMINAL  
 ACCEPT WITH: 2032H SERIES HOUSING

PART NO.	DIM"A"	DIM"B"
2001PS-2	4.00	2.00
2001PS-3	6.00	4.00
2001PS-4	8.00	6.00
2001PS-5	10.00	8.00
2001PS-6	12.00	10.00
2001PS-7	14.00	12.00
2001PS-8	16.00	14.00
2001PS-9	18.00	16.00
2001PS-10	20.00	18.00
2001PS-11	22.00	20.00
2001PS-12	24.00	22.00
2001PS-13	26.00	24.00
2001PS-14	28.00	26.00
2001PS-15	30.00	28.00
2001PS-16	32.00	30.00
2001PS-17	34.00	32.00
2001PS-18	36.00	34.00
2001PS-19	38.00	36.00
2001PS-20	40.00	38.00
2001PS-21	42.00	40.00

PART NO.	DIM"A"	DIM"B"
2001PS-22	44.00	42.00
2001PS-23	46.00	44.00
2001PS-24	48.00	46.00
2001PS-25	50.00	48.00
2001PS-26	52.00	50.00
2001PS-27	54.00	52.00
2001PS-28	56.00	54.00
2001PS-29	58.00	56.00
2001PS-30	60.00	58.00
2001PS-31	62.00	60.00
2001PS-32	64.00	62.00
2001PS-33	66.00	64.00
2001PS-34	68.00	66.00
2001PS-35	70.00	68.00
2001PS-36	72.00	70.00
2001PS-37	74.00	72.00
2001PS-38	76.00	74.00
2001PS-39	78.00	76.00
2001PS-40	80.00	78.00

PART NO.	DIM"A"	DIM"B"
2002PS-2X2	4.00	2.00
2002PS-2X3	6.00	4.00
2002PS-2X4	8.00	6.00
2002PS-2X5	10.00	8.00
2002PS-2X6	12.00	10.00
2002PS-2X7	14.00	12.00
2002PS-2X8	16.00	14.00
2002PS-2X9	18.00	16.00
2002PS-2X10	20.00	18.00
2002PS-2X11	22.00	20.00
2002PS-2X12	24.00	22.00
2002PS-2X13	26.00	24.00
2002PS-2X14	28.00	26.00
2002PS-2X15	30.00	28.00
2002PS-2X16	32.00	30.00
2002PS-2X17	34.00	32.00
2002PS-2X18	36.00	34.00
2002PS-2X19	38.00	36.00
2002PS-2X20	40.00	38.00

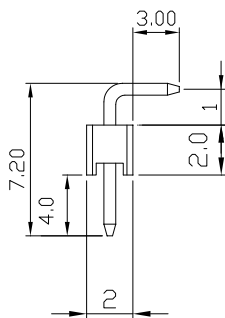
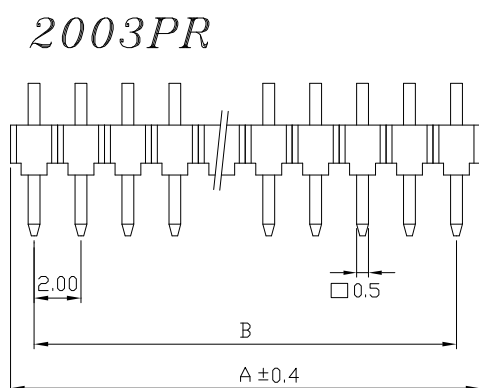
PART NO.	DIM"A"	DIM"B"
2002PS-2X22	44.00	42.00
2002PS-2X23	46.00	44.00
2002PS-2X24	48.00	46.00
2002PS-2X25	50.00	48.00
2002PS-2X26	52.00	50.00
2002PS-2X27	54.00	52.00
2002PS-2X28	56.00	54.00
2002PS-2X29	58.00	56.00
2002PS-2X30	60.00	58.00
2002PS-2X31	62.00	60.00
2002PS-2X32	64.00	62.00
2002PS-2X33	66.00	64.00
2002PS-2X34	68.00	66.00
2002PS-2X35	70.00	68.00
2002PS-2X36	72.00	70.00
2002PS-2X37	74.00	72.00
2002PS-2X38	76.00	74.00
2002PS-2X39	78.00	76.00
2002PS-2X40	80.00	78.00

# 2003PR 2004PR SERIES

.079" (2.0mm) PITCH Headers—Right Angle

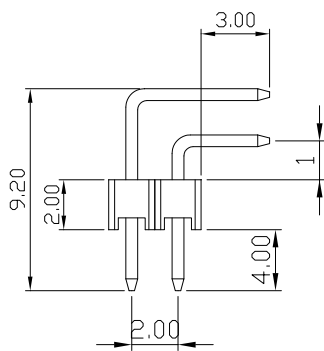
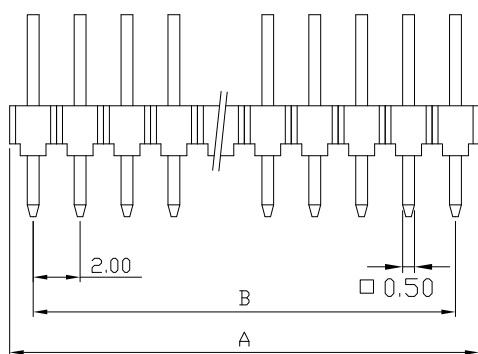
## 2003PR

unit:mm



MAT'L: BODY: PBT UL 94V-0  
 PINS: BRASS GOLD PLATED  
 MATES WITH: 2014 SERIES TERMINAL  
 ACCEPT WITH: 2031H SERIES HOUSING

## 2004PR



MAT'L: BODY: PBT UL 94V-0  
 PINS: BRASS GOLD PLATED  
 MATES WITH: 2014 SERIES TERMINAL  
 ACCEPT WITH: 2032H SERIES HOUSING

PART NO.	DIM"A"	DIM"B"
2003PR-2	4.00	2.00
2003PR-3	6.00	4.00
2003PR-4	8.00	6.00
2003PR-5	10.00	8.00
2003PR-6	12.00	10.00
2003PR-7	14.00	12.00
2003PR-8	16.00	14.00
2003PR-9	18.00	16.00
2003PR-10	20.00	18.00
2003PR-11	22.00	20.00
2003PR-12	24.00	22.00
2003PR-13	26.00	24.00
2003PR-14	28.00	26.00
2003PR-15	30.00	28.00
2003PR-16	32.00	30.00
2003PR-17	34.00	32.00
2003PR-18	36.00	34.00
2003PR-19	38.00	36.00
2003PR-20	40.00	38.00
2003PR-21	42.00	40.00

PART NO.	DIM"A"	DIM"B"
2003PR-22	44.00	42.00
2003PR-23	46.00	44.00
2003PR-24	48.00	46.00
2003PR-25	50.00	48.00
2003PR-26	52.00	50.00
2003PR-27	54.00	52.00
2003PR-28	56.00	54.00
2003PR-29	58.00	56.00
2003PR-30	60.00	58.00
2003PR-31	62.00	60.00
2003PR-32	64.00	62.00
2003PR-33	66.00	64.00
2003PR-34	68.00	66.00
2003PR-35	70.00	68.00
2003PR-36	72.00	70.00
2003PR-37	74.00	72.00
2003PR-38	76.00	74.00
2003PR-39	78.00	76.00
2003PR-40	80.00	78.00

PART NO.	DIM"A"	DIM"B"
2004PR-2X2	4.00	2.00
2004PR-2X3	6.00	4.00
2004PR-2X4	8.00	6.00
2004PR-2X5	10.00	8.00
2004PR-2X6	12.00	10.00
2004PR-2X7	14.00	12.00
2004PR-2X8	16.00	14.00
2004PR-2X9	18.00	16.00
2004PR-2X10	20.00	18.00
2004PR-2X11	22.00	20.00
2004PR-2X12	24.00	22.00
2004PR-2X13	26.00	24.00
2004PR-2X14	28.00	26.00
2004PR-2X15	30.00	28.00
2004PR-2X16	32.00	30.00
2004PR-2X17	34.00	32.00
2004PR-2X18	36.00	34.00
2004PR-2X19	38.00	36.00
2004PR-2X20	40.00	38.00

PART NO.	DIM"A"	DIM"B"
2004PR-2X22	44.00	42.00
2004PR-2X23	46.00	44.00
2004PR-2X24	48.00	46.00
2004PR-2X25	50.00	48.00
2004PR-2X26	52.00	50.00
2004PR-2X27	54.00	52.00
2004PR-2X28	56.00	54.00
2004PR-2X29	58.00	56.00
2004PR-2X30	60.00	58.00
2004PR-2X31	62.00	60.00
2004PR-2X32	64.00	62.00
2004PR-2X33	66.00	64.00
2004PR-2X34	68.00	66.00
2004PR-2X35	70.00	68.00
2004PR-2X36	72.00	70.00
2004PR-2X37	74.00	72.00
2004PR-2X38	76.00	74.00
2004PR-2X39	78.00	76.00
2004PR-2X40	80.00	78.00