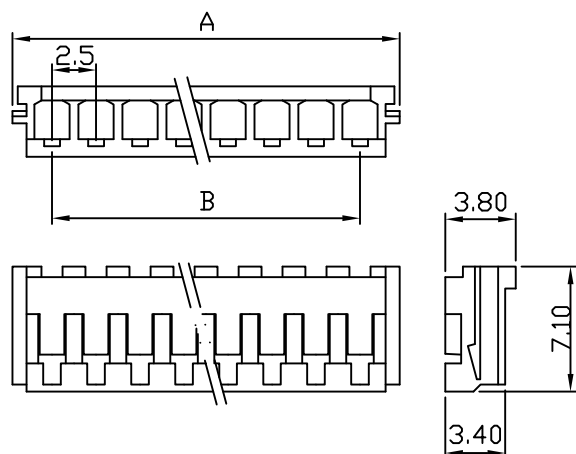


2570H .098" (2.50mm) PITCH CRIMP HOUSING

Features:

unit:mm

- * MAT'L: NYLON 66 UL94V-0
- * MATES: 2570 SERIES TERMINAL
- * ACCEPTS WITH: 2570PS 2570PR SERIES WAFER



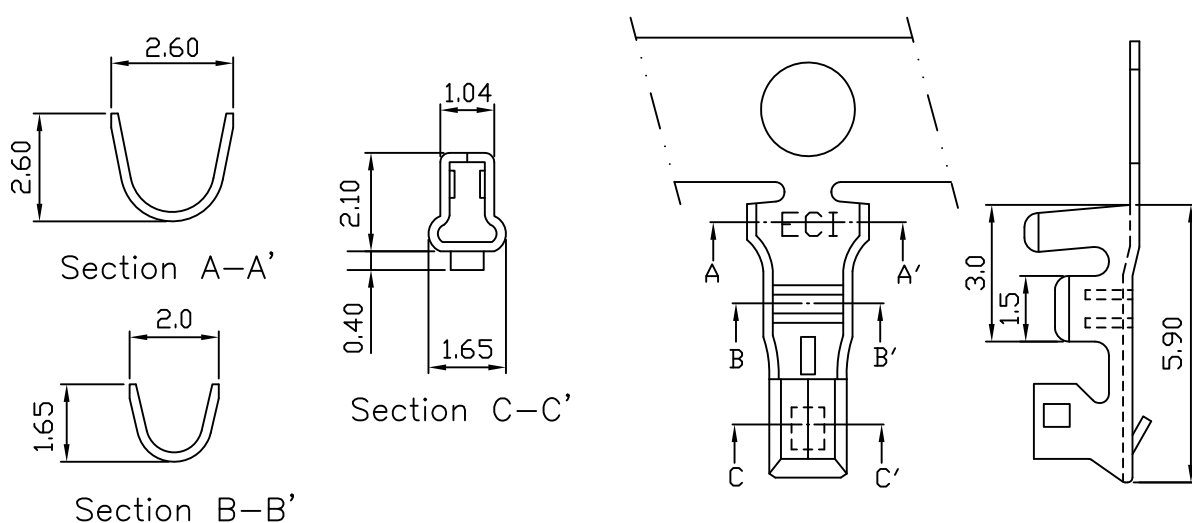
PART NO.	A	B
2570H-02	7.00	2.5
2570H-03	9.50	5.0
2570H-04	12.0	7.5
2570H-05	14.5	10.0
2570H-06	17.0	12.5
2570H-07	19.5	15.0
2570H-08	22.0	17.5
2570H-09	24.5	20.0
2570H-10	27.0	22.5
2570H-11	29.5	25.0
2570H-12	32.0	27.5
2570H-13	34.5	30.0
2570H-14	37.0	32.5
2570H-15	39.5	35.0

2570 .098" (2.50mm) PITCH CRIMP TERMINAL

Features:

unit:mm

- * THICKNESS: 0.2mm
- * MAT'L: PHOSPHOR BRONZE TIN PLANED
- * MATES WITH: 2570H SERIES HOUSING
- * ACCEPTS WITH: 2570PS & 2570PR SERIES WAFER
- * ACCEPTS WITH: 0.64mm(.025") SQUARE PIN



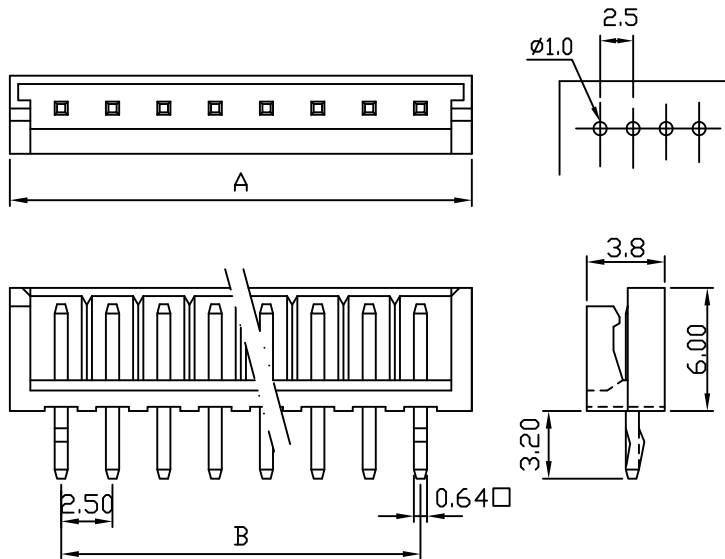
PART NO.	WIRE RANGE	INSULATION O.D.	MATERIAL	FINISH	QTY/REEL
2570	AWG #24-28	∅1.8mm MAX	Phosphor bronze	Tin-plated	10,000

2570PS .098" (2.5mm) PITCH Headers—Straight

Features:

unit:mm

- * MAT'L: BODY: NYLON 66 UL94V-0
PINS : BRASS TIN PLATED
- * MATES WITH: 2570H SERIES HOUSING
- * ACCEPTS WITH: 2570 SERIES TERMINAL



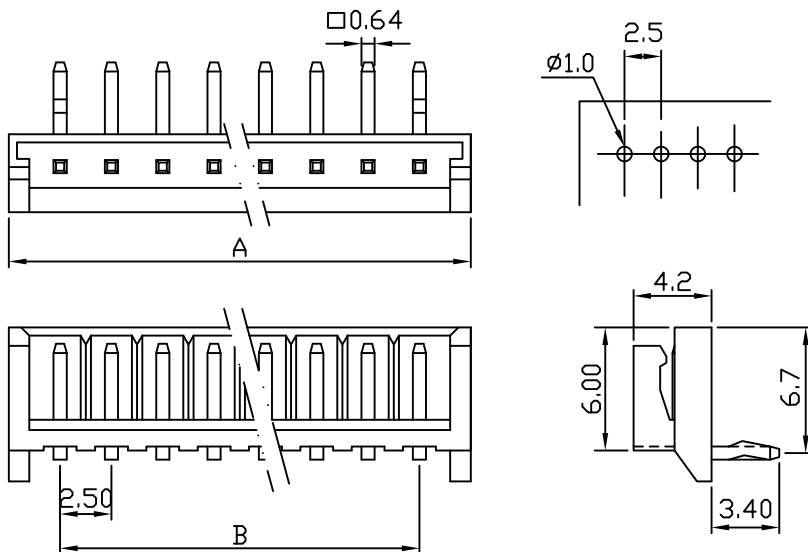
PART NO.	A	B
2570PS-02	7.5	2.5
2570PS-03	10.0	5.0
2570PS-04	12.5	7.5
2570PS-05	15.0	10.0
2570PS-06	17.5	12.5
2570PS-07	20.0	15.0
2570PS-08	22.5	17.5
2570PS-09	25.0	20.0
2570PS-10	27.5	22.5
2570PS-11	30.0	25.0
2570PS-12	32.5	27.5
2570PS-13	35.0	30.0
2570PS-14	37.5	32.5
2570PS-15	40.0	35.0

2570PR .098" (2.50mm) PITCH Headers—Right Angle

Features:

unit:mm

- * MAT'L: BODY: NYLON 66 UL94V-0
PINS: BRASS TIN PLATED
- * MATES WITH: 2570H SERIES HOUSING
- * ACCEPTS WITH: 2570 SERIES TERMINAL



PART NO.	A	B
2570PR-02	7.5	2.5
2570PR-03	10.0	5.0
2570PR-04	12.5	7.5
2570PR-05	15.0	10.0
2570PR-06	17.5	12.5
2570PR-07	20.0	15.0
2570PR-08	22.5	17.5
2570PR-09	25.0	20.0
2570PR-10	27.5	22.5
2570PR-11	30.0	25.0
2570PR-12	32.5	27.5
2570PR-13	35.0	30.0
2570PR-14	37.5	32.5
2570PR-15	40.0	35.0