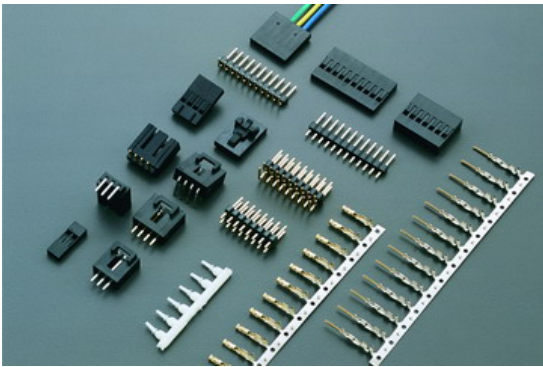


2561H SERIES

.100" (2.54mm) PITCH WIRE TO BOARD CONNECTOR



Specifications

Current rating: 3A AC,DC

Voltage rating: 250V AC,DC

Temperature range: -25°C to $+85^{\circ}\text{C}$
(including temperature rise)

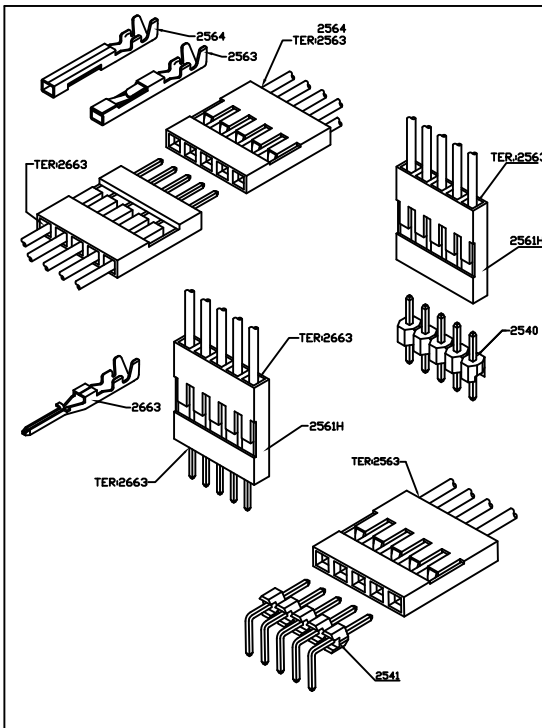
Contact resistance: Initial value/10m Ω Max.

After environmental testing/20m Ω Max.

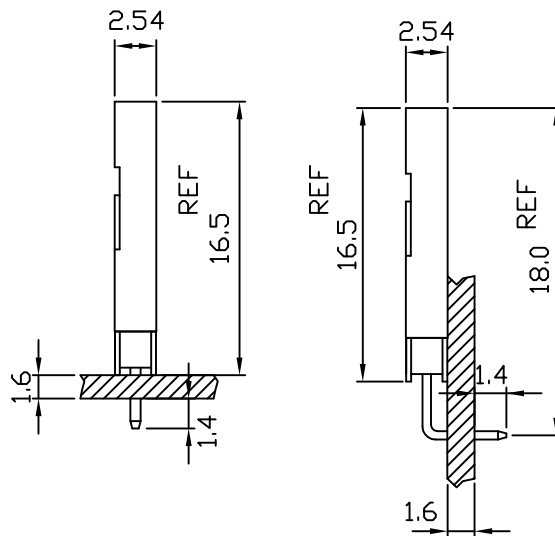
Insulation resistance: 500M Ω MIN.

Withstanding voltage: 1000V AC/minute

Applicable wire: AWG#24-28



Assembly layout

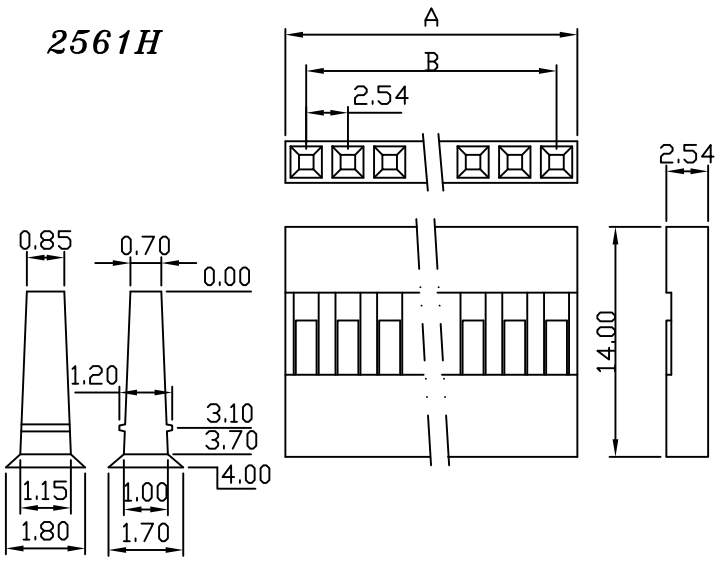


2561H .100" (2.54mm) PITCH CRIMP HOUSING

Features:

unit:mm

- * MAT'L: NYLON 66 UL 94V-0
- * MATES WITH: 2563 2564 SERIES TERMINAL
- * ACCEPTS WITH: 2540 & 2541 SERIES WAFER



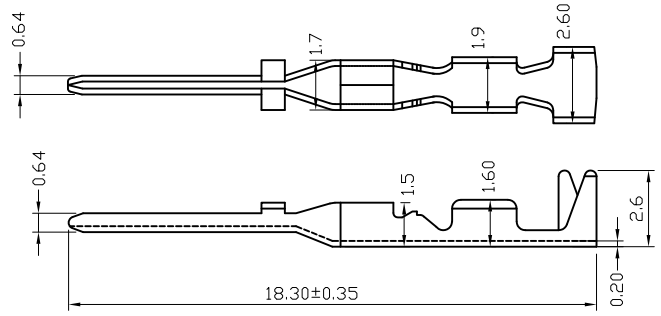
PART NO.	A	B	PART NO.	A	B
2561H-01	2.54	0.00	2561H-21	53.34	50.80
2561H-02	5.08	2.54	2561H-22	55.88	53.34
2561H-03	7.62	5.08	2561H-23	58.42	55.88
2561H-04	10.16	7.62	2561H-24	60.96	58.42
2561H-05	12.70	10.16	2561H-25	63.05	60.96
2561H-06	15.24	12.70	2561H-26	66.04	63.05
2561H-07	17.78	15.24	2561H-27	68.58	66.04
2561H-08	20.32	17.78	2561H-28	71.12	68.58
2561H-09	22.86	20.32	2561H-29	73.66	71.12
2561H-10	25.40	22.86	2561H-30	76.20	73.66
2561H-11	27.94	25.40	2561H-31	78.74	76.20
2561H-12	30.48	27.94	2561H-32	81.28	78.74
2561H-13	33.02	30.48	2561H-33	83.82	81.28
2561H-14	35.56	33.02	2561H-34	86.36	83.82
2561H-15	38.10	35.56	2561H-35	88.90	86.36
2561H-16	40.64	38.10	2561H-36	91.44	88.90
2561H-17	43.18	40.64	2561H-37	93.98	91.44
2561H-18	45.72	43.18	2561H-38	96.52	93.98
2561H-19	48.26	45.72	2561H-39	99.06	96.52
2561H-20	50.80	48.26	2561H-40	101.6	99.06

2663 .100" (2.54mm) PITCH TERMINAL

Features:

unit:mm

- * THICKNESS: 0.2mm
- * MAT'L: BRASS OR PHOSPHOR BRONZE TIN PLATED
- * ACCEPTS WITH: 2561H & 2562H & 2561H-04K SERIES HOUSING



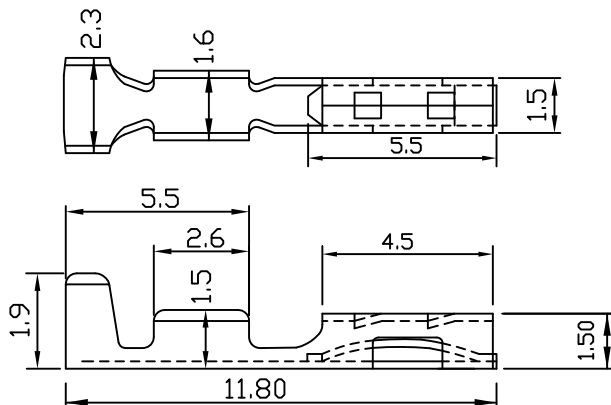
PART NO.	WIRE RANGE	INSULATION O.D.	MATERIAL	FINISH	QTY/REEL
2663	AWG#22-#28	ø1.5~ø1.2mm	Brass	Tin-plated	10,000
2663-P	AWG#22-#28	ø1.5~ø1.2mm	Phosphor Bronze	Tin-plated	10,000

2564 .100" (2.54mm) PITCH TERMINAL

Features:

unit:mm

- * THICKNESS: 0.2mm
- * MAT'L: PHOSPHOR BRONZE GOLD PLATED
- * ACCEPTS WITH: 2561H & 2562H & 2561H-04K SERIES HOUSING
- * ACCEPTS WITH: 2540 2541 2543 2545 SERIES WAFER
- * ACCEPTS WITH: 2561PS-04K 2561PR-04K WAFER
- * ACCEPTS WITH: 0.64(.025") SQUARE PIN



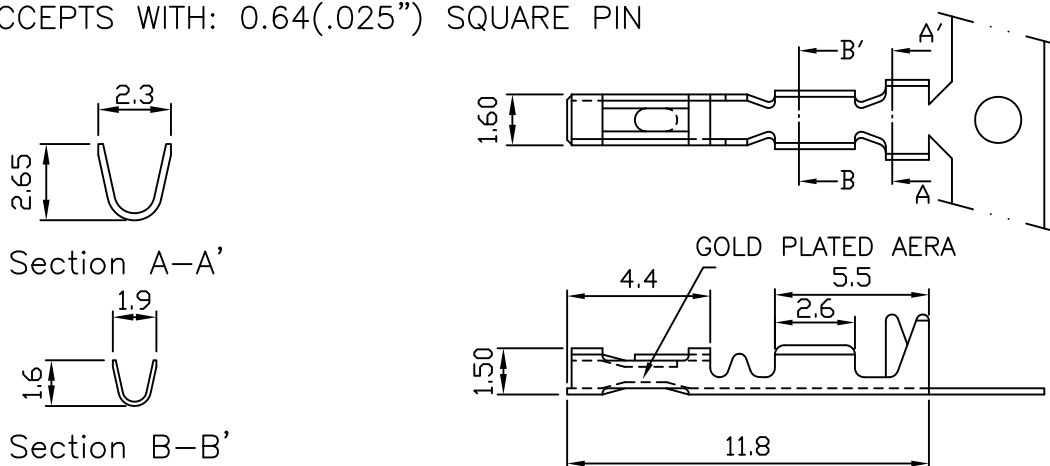
PART NO.	WIRE RANGE	INSULATION O.D.	MATERIAL	FINISH	QTY/REEL
2564	AWG#24-#28	ø1.2~ø1.0mm	Phosphor Bronze	GOLD PLATED- OVER NIKEL	10,000

2563 .100" (2.54mm) PITCH CRIMP TERMINAL

Features:

unit:mm

- * THICKNESS: 0.2mm
- * MAT'L: BRASS OR PHOSPHOR BRONZE GOLD PLATED
- * MATES WITH: 2663 SERIES TERMINAL
- * ACCEPTS WITH: 2561H & 2562H & 2561H-04K SERIES HOUSING
- * ACCEPTS WITH: 2540 2541 2543 2545 SERIES WAFER
- * ACCEPTS WITH: 2561PS-04K 2561PR-04K WAFER
- * ACCEPTS WITH: 0.64(.025") SQUARE PIN



PART NO.	WIRE RANGE	INSULATION O.D.	MATERIAL	FINISH	QTY/REEL
2563	AWG#24-#26	ø1.2~ø1.0mm	Brass	GOLD PLATED- OVER NIKEL	10,000
2563-P	AWG#24-#26	ø1.2~ø1.0mm	Phosphor bronze	GOLD PLATED- OVER NIKEL	10,000

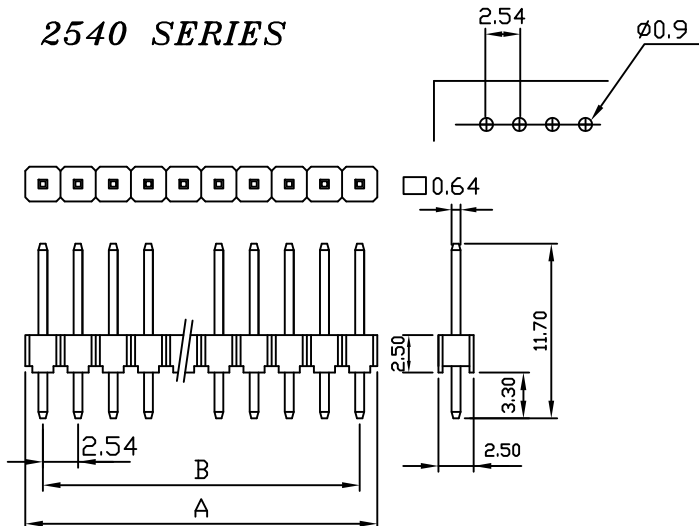
2540 .100" (2.54mm) PITCH Headers—Straight

Features:

unit:mm

- * MAT'L: BODY: PBT 94V-0
PINS: BRASS GOLD PLATED
- * MATES WITH: 2551 2563 2564 SERIES TERMINAL
- * ACCEPTS WITH: 2561 2550 & 2562H SERIES HOUSING

2540 SERIES



PART NO.	DIM"A"	DIM"B"
2540-02	5.08	2.54
2540-03	7.62	5.08
2540-04	10.16	7.62
2540-05	12.70	10.16
2540-06	15.24	12.70
2540-07	17.78	15.24
2540-08	20.32	17.78
2540-09	22.86	20.32
2540-10	25.40	22.86
2540-11	27.94	25.40
2540-12	30.48	27.94
2540-13	33.02	30.48
2540-14	35.56	33.02
2540-15	38.10	35.56
2540-16	40.64	38.10
2540-17	43.18	40.64
2540-18	45.72	43.18
2540-19	48.26	45.72
2540-20	50.80	48.26

PART NO.	DIM"A"	DIM"B"
2540-21	53.34	50.80
2540-22	55.88	53.34
2540-23	58.42	55.88
2540-24	60.96	58.42
2540-25	63.50	60.96
2540-26	66.04	63.50
2540-27	68.58	66.04
2540-28	71.12	68.58
2540-29	73.66	71.12
2540-30	76.20	73.66
2540-31	78.74	76.20
2540-32	81.28	78.74
2540-33	83.82	81.28
2540-34	86.36	83.82
2540-35	88.90	86.36
2540-36	91.44	88.90
2540-37	93.98	91.44
2540-38	96.52	93.98
2540-39	99.06	96.52
2540-40	101.60	99.06

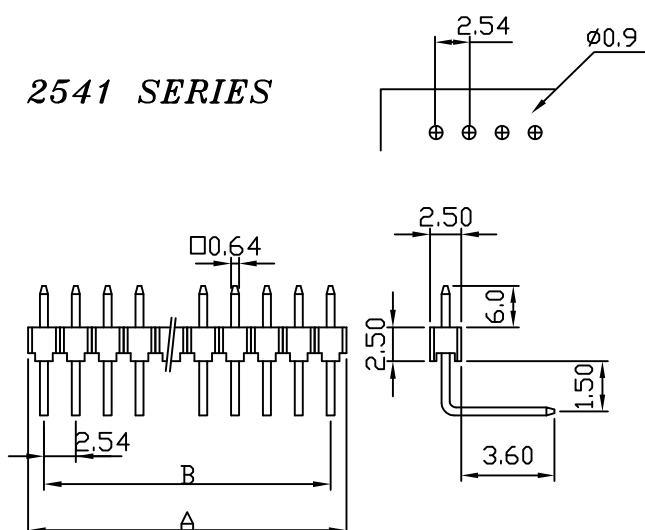
2541 .100" (2.54mm) PITCH Headers—Right Angle

Features:

unit:mm

- * MAT'L: BODY: PBT 94V-0
PINS: BRASS GOLD PLATED
- * MATES WITH: 2551 2563 2564 SERIES TERMINAL
- * ACCEPTS WITH: 2550 2561H & 2562H SERIES HOUSING

2541 SERIES



PART NO.	DIM"A"	DIM"B"
2541-02	5.08	2.54
2541-03	7.62	5.08
2541-04	10.16	7.62
2541-05	12.70	10.16
2541-06	15.24	12.70
2541-07	17.78	15.24
2541-08	20.32	17.78
2541-09	22.86	20.32
2541-10	25.40	22.86
2541-11	27.94	25.40
2541-12	30.48	27.94
2541-13	33.02	30.48
2541-14	35.56	33.02
2541-15	38.10	35.56
2541-16	40.64	38.10
2541-17	43.18	40.64
2541-18	45.72	43.18
2541-19	48.26	45.72
2541-20	50.80	48.26

PART NO.	DIM"A"	DIM"B"
2541-21	53.34	50.80
2541-22	55.88	53.34
2541-23	58.42	55.88
2541-24	60.96	58.42
2541-25	63.50	60.96
2541-26	66.04	63.50
2541-27	68.58	66.04
2541-28	71.12	68.58
2541-29	73.66	71.12
2541-30	76.20	73.66
2541-31	78.74	76.20
2541-32	81.28	78.74
2541-33	83.82	81.28
2541-34	86.36	83.82
2541-35	88.90	86.36
2541-36	91.44	88.90
2541-37	93.98	91.44
2541-38	96.52	93.98
2541-39	99.06	96.52
2541-40	101.60	99.06