

# 3015H/3016H SERIES

.118" (3.0mm) PITCH WIRE TO WIRE CONNECTOR



## Specifications

Current rating: 5A AC,DC

Voltage rating: 250V AC,DC

Temperature range: -25°C to +85°C

(including temperature rise)

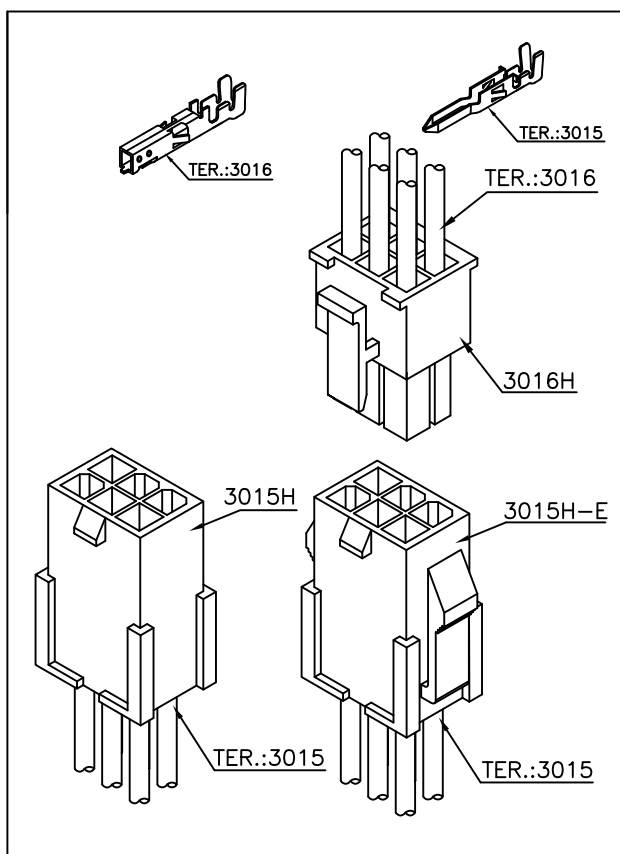
Contact resistance: Initial value/10mΩ Max.

After environmental testing/20mΩ Max.

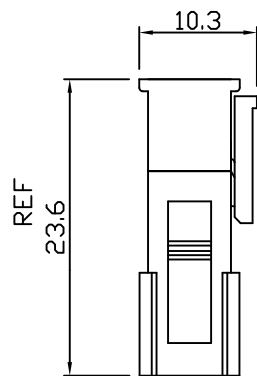
Insulation resistance: 1000MΩ MIN.

Withstanding voltage: 1500V AC/minute

Applicable wire: AWG#20-24



## Assembly layout



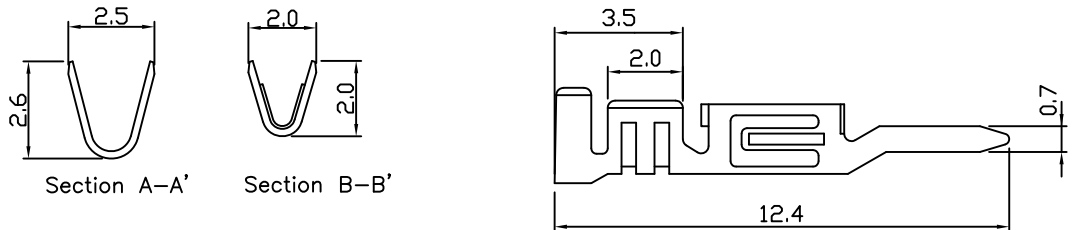
WIRE TO WIRE

# 3015 .118" (3.0mm) CRIMP TERMINAL

Features:

unit:mm

- \* THICKNESS: 0.2mm
- \* MATES WITH: 3015H SERIES HOUSING
- \* ACCEPTS WITH: 3016T TERMINAL

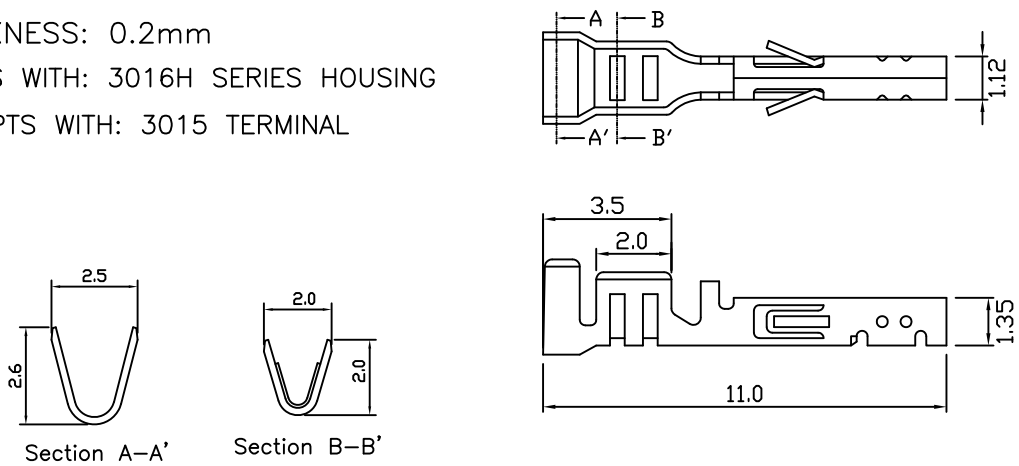


PART NO.	WIRE RANGE	MATERIAL	FINISH	QTY/REEL
3015	AWG#20-24	Phosphor bronze	Tin-plated	6,000 PCS

# 3016 .118" (3.0mm) CRIMP TERMINAL

Features:

- \* THICKNESS: 0.2mm
- \* MATES WITH: 3016H SERIES HOUSING
- \* ACCEPTS WITH: 3015 TERMINAL



PART NO.	WIRE RANGE	MATERIAL	FINISH	QTY/REEL
3016	AWG#20-24	Phosphor bronze	Tin-plated	6,000 PCS

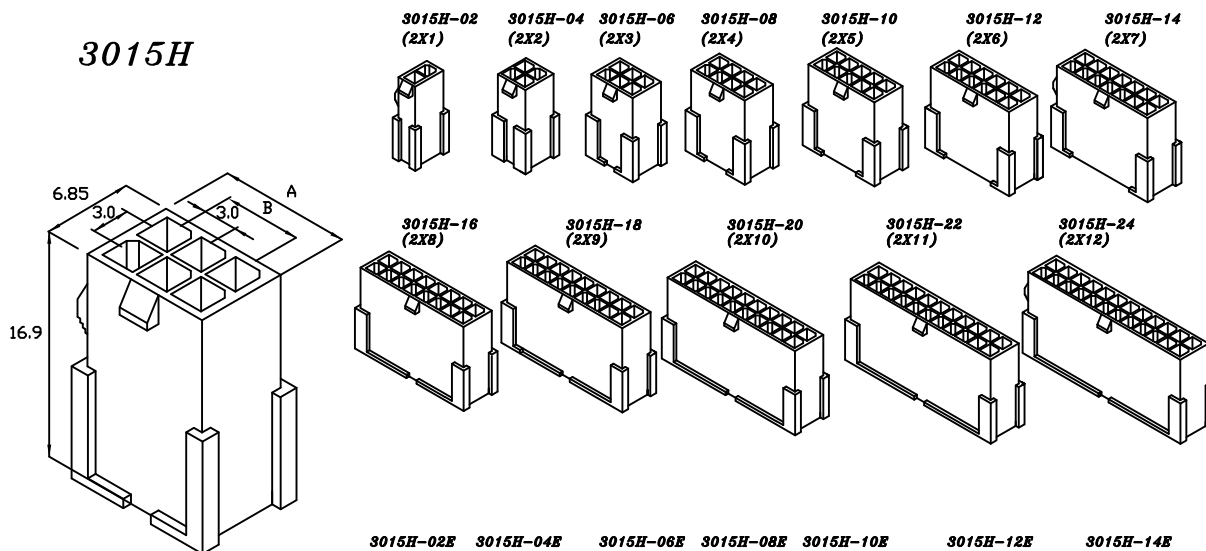
# 3015H .118" (3.0mm) PITCH CRIMP HOUSING

unit:mm

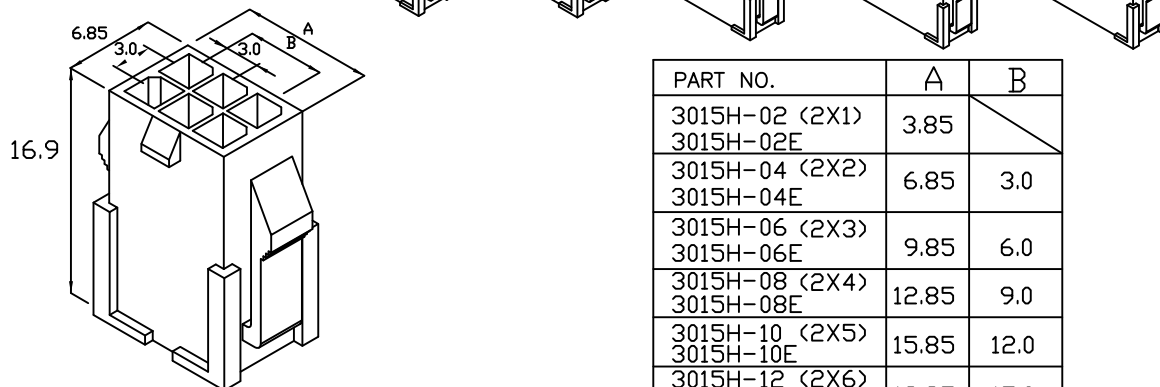
## Features:

- \* 3015H SERIES
- \* MAT'L: NYLON 66 UL94V-0
- \* MATES WITH: 3015 SERIES TERMINAL
- \* ACCEPTS WITH: 3016H SERIES HOUSING

## 3015H



## 3015H-E

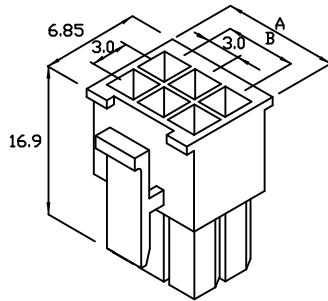
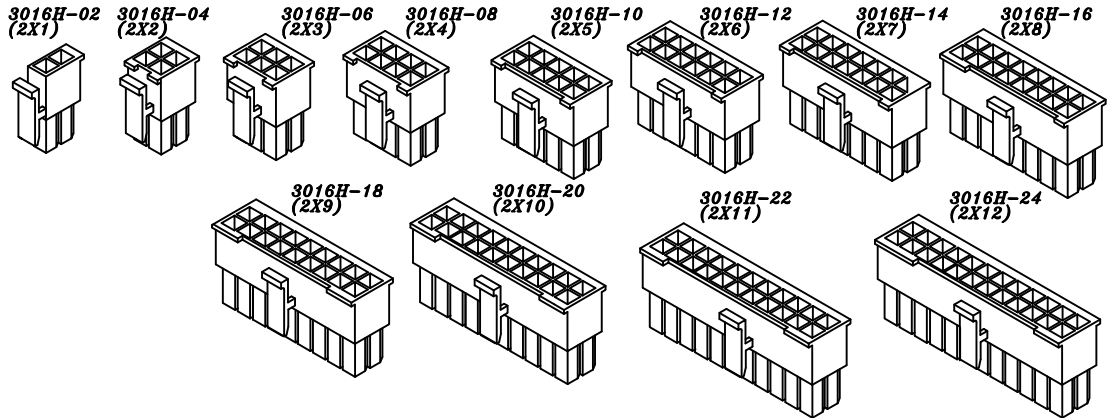


PART NO.	A	B
3015H-02 (2X1) 3015H-02E	3.85	
3015H-04 (2X2) 3015H-04E	6.85	3.0
3015H-06 (2X3) 3015H-06E	9.85	6.0
3015H-08 (2X4) 3015H-08E	12.85	9.0
3015H-10 (2X5) 3015H-10E	15.85	12.0
3015H-12 (2X6) 3015H-12E	18.85	15.0
3015H-14 (2X7) 3015H-14E	21.85	18.0
3015H-16 (2X8) 3015H-16E	24.85	21.0
3015H-18 (2X9) 3015H-18E	27.85	24.0
3015H-20 (2X10) 3015H-20E	30.85	27.0
3015H-22 (2X11) 3015H-22E	33.85	30.0
3015H-24 (2X12) 3015H-24E	36.85	33.0

# 3016H .118" (3.0mm) PITCH CRIMP HOUSING

## Features:

- \* 3016H SERIES
- \* MAT'L: NYLON 66 UL94V-0
- \* MATES WITH: 3016 TERMINAL
- \* ACCEPTS WITH: 3015H SERIES HOUSING



PART NO.	A	B
3016H-02 (2X1)	3.85	
3016H-04 (2X2)	6.85	3.0
3016H-06 (2X3)	9.85	6.0
3016H-08 (2X4)	12.85	9.0
3016H-10 (2X5)	15.85	12.0
3016H-12 (2X6)	18.85	15.0
3016H-14 (2X7)	21.85	18.0
3016H-16 (2X8)	24.85	21.0
3016H-18 (2X9)	27.85	24.0
3016H-20 (2X10)	30.85	27.0
3016H-22 (2X11)	33.85	30.0
3016H-24 (2X12)	36.85	33.0