

3015PS SERIES

.118" (3.0mm) PITCH WIRE TO BOARD CONNECTOR



Specifications

Current rating: 5A AC,DC

Voltage rating: 250V AC,DC

Temperature range: -25°C to +85°C

(including temperature rise)

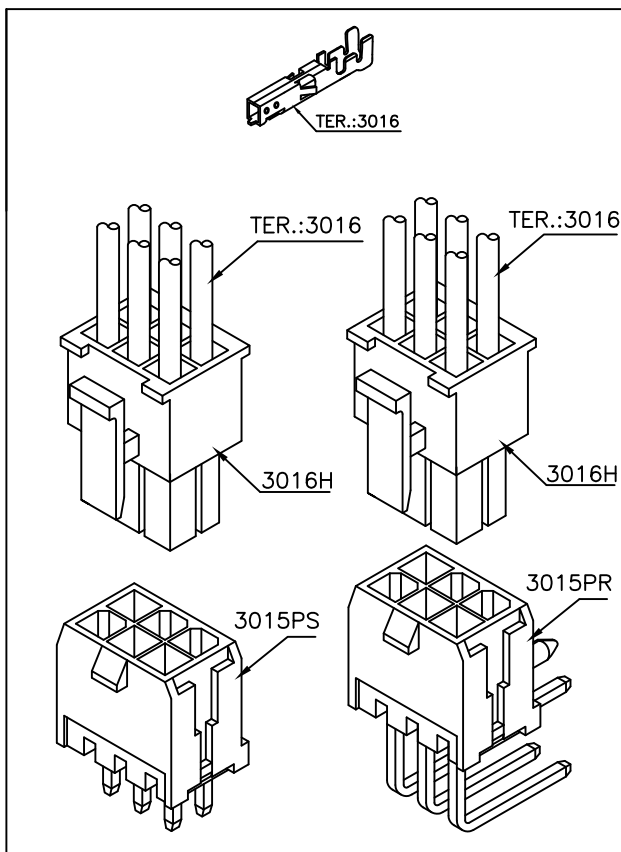
Contact resistance: Initial value/10mΩ Max.

After environmental testing/20mΩ Max.

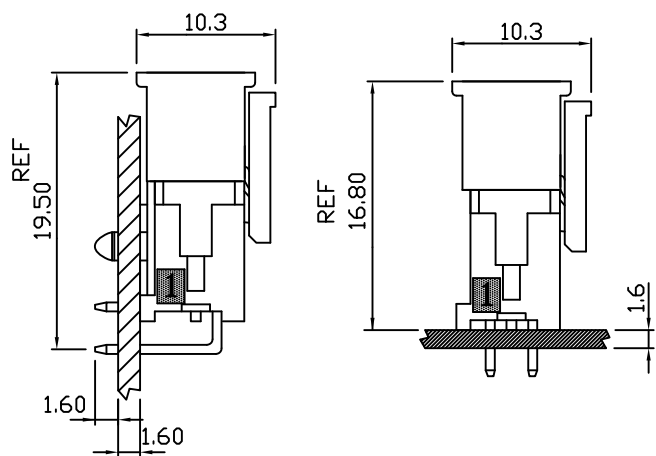
Insulation resistance: 1000MΩ MIN.

Withstanding voltage: 1500V AC/minute

Applicable wire: AWG#20-24



Assembly layout



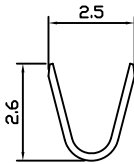
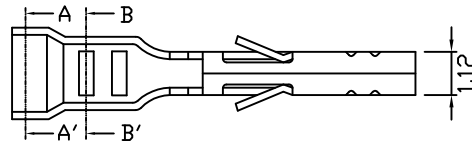
WIRE TO BOARD

3016 .118" (3.0mm) CRIMP TERMINAL

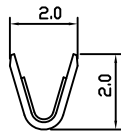
Features:

unit:mm

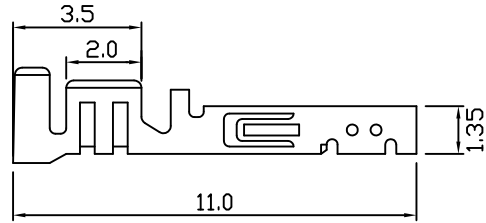
- * THICKNESS: 0.2mm
- * MATES WITH: 3016H SERIES HOUSING
- * ACCEPTS WITH: 3015 TERMINAL



Section A-A'



Section B-B'



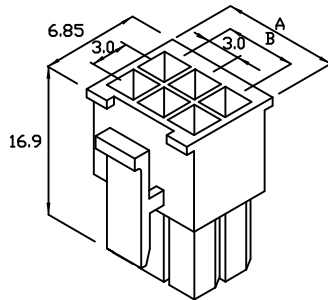
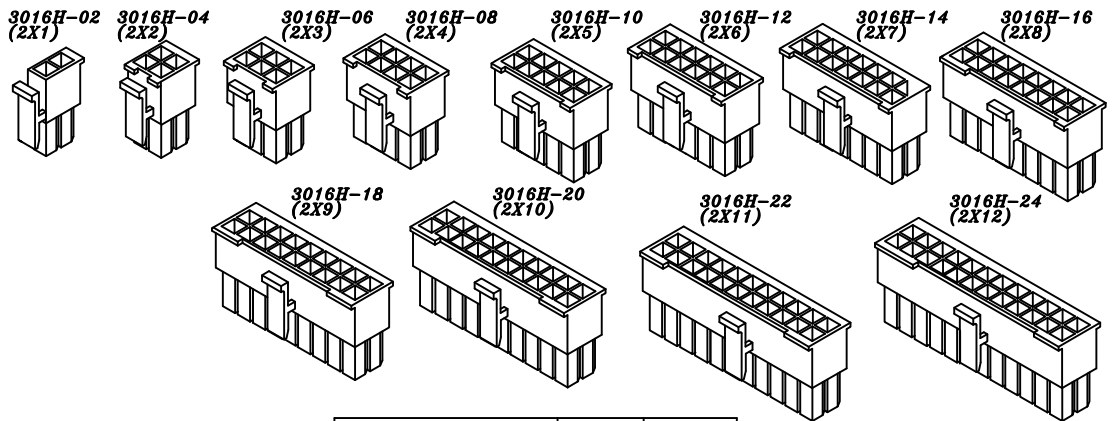
PART NO.	WIRE RANGE	MATERIAL	FINISH	QTY/REEL
3016	AWG#20-24	Phosphor bronze	Tin-plated	6,000 PCS

3016H .118" (3.0mm) PITCH CRIMP HOUSING

Features:

unit:mm

- * 3016H SERIES
- * MAT'L: NYLON 66 UL94V-0
- * MATES WITH: 3016 TERMINAL
- * ACCEPTS WITH: 3015H SERIES HOUSING



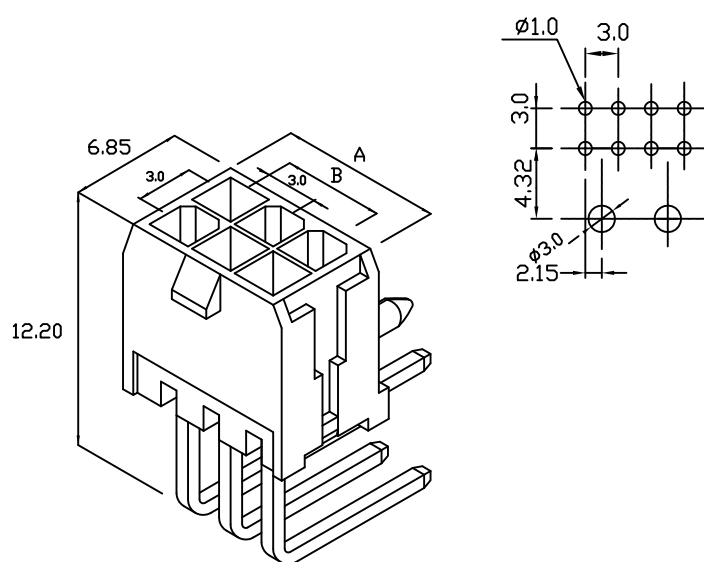
PART NO.	A	B
3016H-02 (2X1)	3.85	
3016H-04 (2X2)	6.85	3.0
3016H-06 (2X3)	9.85	6.0
3016H-08 (2X4)	12.85	9.0
3016H-10 (2X5)	15.85	12.0
3016H-12 (2X6)	18.85	15.0
3016H-14 (2X7)	21.85	18.0
3016H-16 (2X8)	24.85	21.0
3016H-18 (2X9)	27.85	24.0
3016H-20 (2X10)	30.85	27.0
3016H-22 (2X11)	33.85	30.0
3016H-24 (2X12)	36.85	33.0

3015PR .118" (3.0mm) PITCH Headers—Right Angle

Features:

unit:mm

- * MAT'L: NYLON 66 UL94V-0
- * MATES WITH: 3016 SERIES TERMINAL
- * ACCEPTS WITH: 3016H SERIES HOUSING



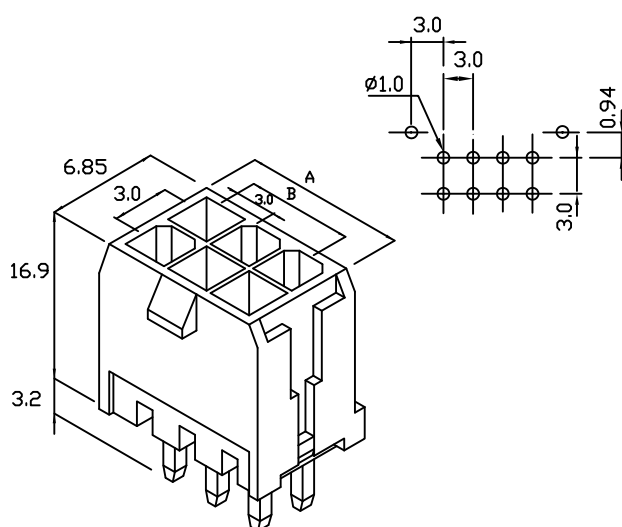
PART NO.	A	B
3015PR-02 (2X1)	6.65	
3015PR-04 (2X2)	9.65	3.0
3015PR-06 (2X3)	12.65	6.0
3015PR-08 (2X4)	15.65	9.0
3015PR-10 (2X5)	18.65	12.0
3015PR-12 (2X6)	21.65	15.0
3015PR-14 (2X7)	24.65	18.0
3015PR-16 (2X8)	27.65	21.0
3015PR-18 (2X,9)	30.65	24.0
3015PR-20 (2X10)	33.65	27.0
3015PR-22 (2X11)	36.65	30.0
3015PR-24 (2X12)	39.65	33.0

3015PS .118" (3.0mm) PITCH Headers—Straight

Features:

unit:mm

- * MAT'L: NYLON 66 UL94V-0
- * MATES WITH: 3016 SERIES TERMINAL
- * ACCEPTS WITH: 3016H SERIES HOUSING



PART NO.	A	B
3015PS-02 (2X1)	6.65	
3015PS-04 (2X2)	9.65	3.0
3015PS-06 (2X3)	12.65	6.0
3015PS-08 (2X4)	15.65	9.0
3015PS-10 (2X5)	18.65	12.0
3015PS-12 (2X6)	21.65	15.0
3015PS-14 (2X7)	24.65	18.0
3015PS-16 (2X8)	27.65	21.0
3015PS-18 (2X,9)	30.65	24.0
3015PS-20 (2X10)	33.65	27.0
3015PS-22 (2X11)	36.65	30.0
3015PS-24 (2X12)	39.65	33.0

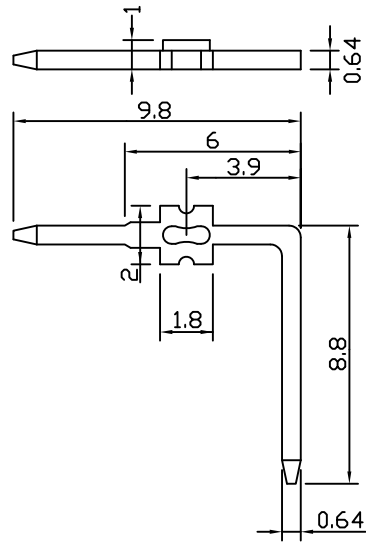
3015PIN

unit:mm

Features:

- * MAT'L: BRASS TIN PLATED
- * THICKNESS: 0.64mm

3015PIN-A



3015PIN-B

