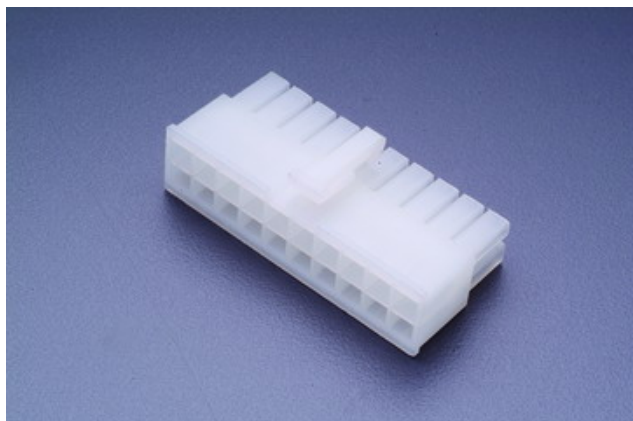


5016H SERIES

1.65" (4.2mm) PITCH WIRE TO BOARD CONNECTOR



Specifications

Current rating: 6~7A AC,DC

Voltage rating: 250V AC,DC

Temperature range: -25°C to +85°C
(including temperature rise)

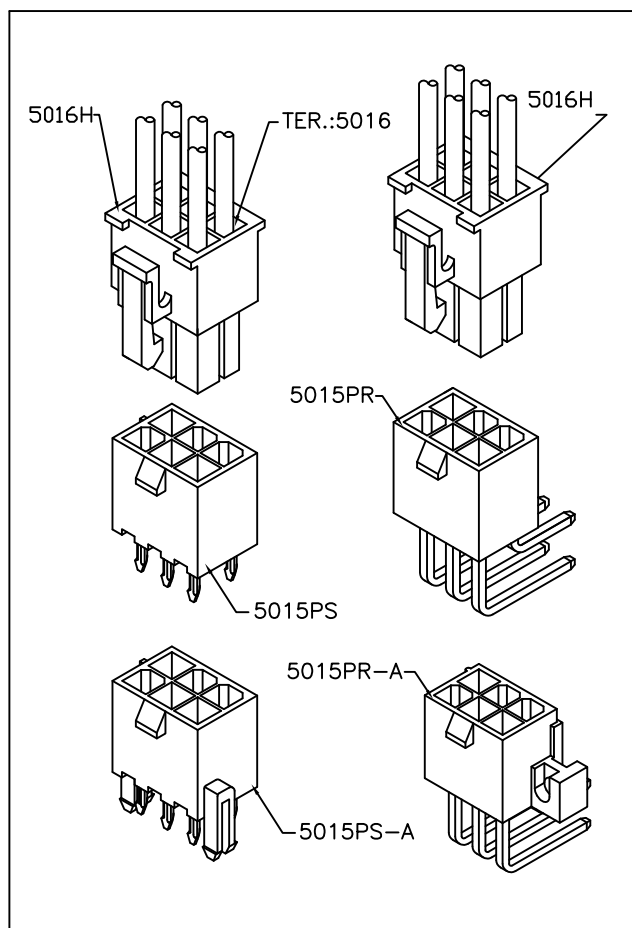
Contact resistance: Initial value/10mΩ Max.

After environmental testing/20mΩ Max.

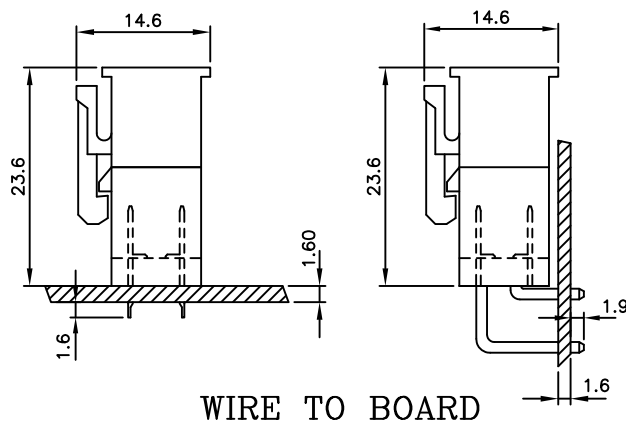
Insulation resistance: 500MΩ MIN.

Withstanding voltage: 1500V AC/minute

Applicable wire: AWG#18-24



Assembly layout

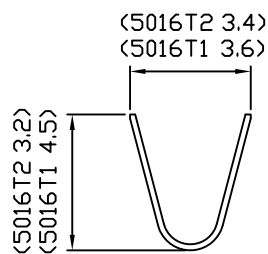


5016 1.65" (4.2mm) PITCH CRIMP TERMINAL

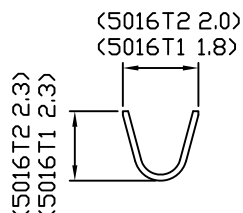
Features:

- * THICKNESS: 0.2mm
- * MAT'L: BRASS TIN PLATED
- * MATES WITH: 5016H SERIES HOUSING

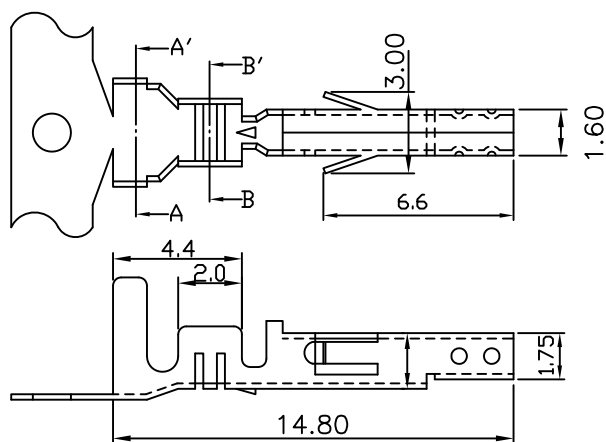
unit:mm



Section A-A'



Section B-B'



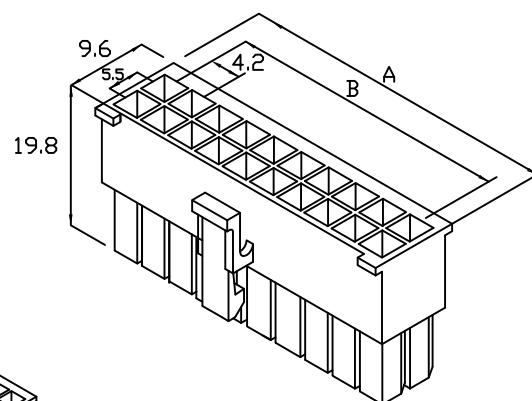
PART NO.	WIRE RANGE	INSULATION O.D.	MATERIAL	FINISH	QTY/REEL
5016T1	AWG#18-#22	∅2.8mm max	BRASS	Tin-plated	5,000
5016T2	AWG#22-#24	∅2.0mm max	BRASS	Tin-plated	5,000

5016H 1.65" (4.2mm) PITCH CRIMP HOUSING

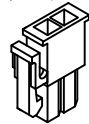
Features:

- * MAT'L: NYLON 66 UL94V-2
- * MATES WITH 5016 SERIES TERMINAL
- * ACCEPTS WITH: 5015H SERIES HOUSING

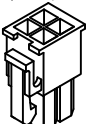
unit:mm



5016H-02 (2X1)



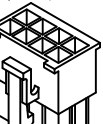
5016H-04 (2X2)



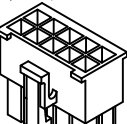
5016H-06 (2X3)



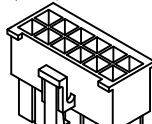
5016H-08 (2X4)



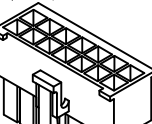
5016H-10 (2X5)



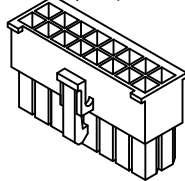
5016H-12 (2X6)



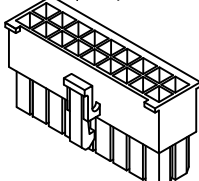
5016H-14 (2X7)



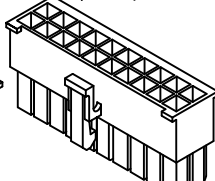
5016H-16 (2X8)



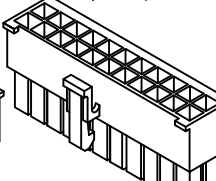
5016H-18 (2X9)



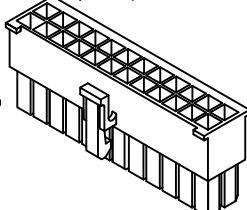
5016H-20 (2X10)



5016H-22 (2X11)



5016H-24 (2X12)



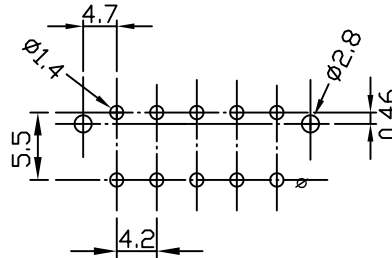
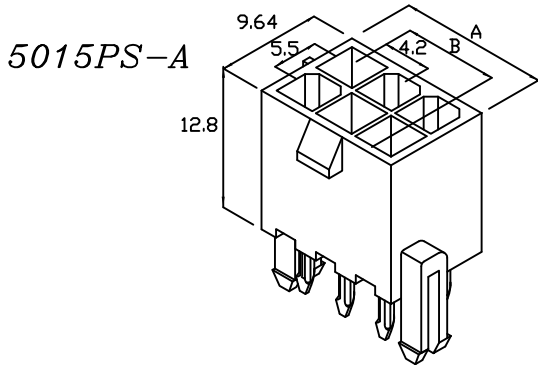
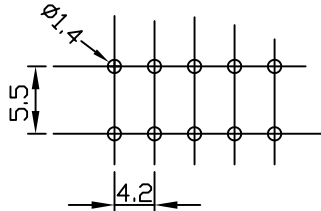
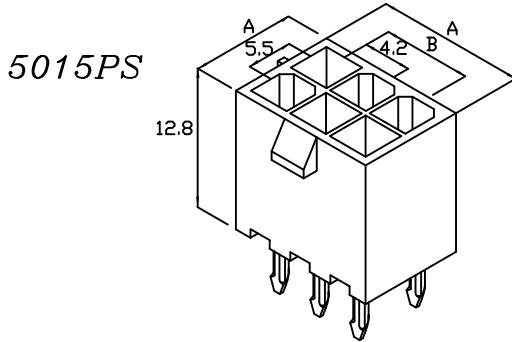
PART NO.	A	B
5016H-02 (2x1)	5.40	
5016H-04 (2x2)	9.60	4.2
5016H-06 (2x3)	13.80	8.4
5016H-08 (2x4)	18.00	12.6
5016H-10 (2x5)	22.20	16.8
5016H-12 (2x6)	26.40	21.0
5016H-14 (2x7)	30.60	25.2
5016H-16 (2x8)	34.80	29.4
5016H-18 (2x9)	39.00	33.6
5016H-20 (2x10)	43.20	37.8
5016H-22 (2x11)	47.40	42.0
5016H-24 (2x12)	51.60	46.2

5015PS 5015PS-A 1.65" (4.2mm) PITCH Headers-Straight

Features:

- * MAT'L: NYLON 66 UL94V-2
- * MATES WITH 5016 SERIES TERMINAL
- * ACCEPTS WITH: 5016H SERIES HOUSING
- * POSITIVE HOUSING LOCKS

unit:mm

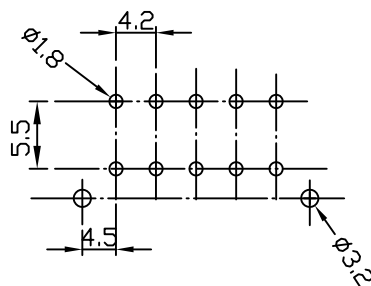
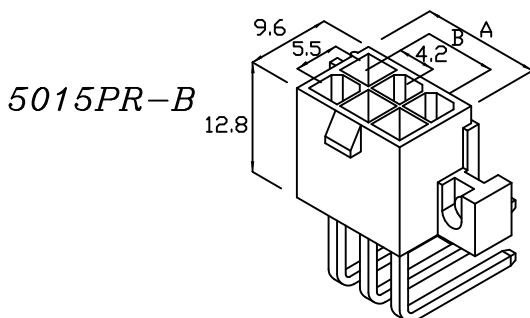
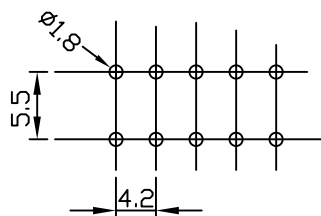
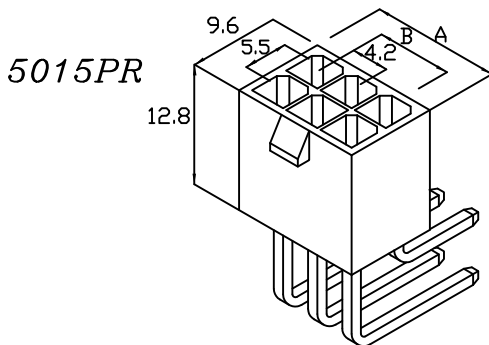


PART NO.	A	B
5015PS-02 (2x1) 5015PS-02A	5.4	
5015PS-04 (2x2) 5015PS-04A	9.6	4.2
5015PS-06 (2x3) 5015PS-06A	13.8	8.4
5015PS-08 (2x4) 5015PS-08A	18.0	12.6
5015PS-10 (2x5) 5015PS-10A	22.2	16.8
5015PS-12 (2x6) 5015PS-12A	26.4	21.0
5015PS-14 (2x7) 5015PS-14A	30.6	25.2
5015PS-16 (2x8) 5015PS-16A	34.8	29.4
5015PS-18 (2x9) 5015PS-18A	39.0	33.6
5015PS-20 (2x10) 5015PS-20A	43.2	37.8
5015PS-22 (2x11) 5015PS-22A	47.4	42.0
5015PS-24 (2x12) 5015PS-24A	51.6	46.2

5015PR 5015PR-B 1.65" (4.2mm) PITCH Headers-Right Angle

Features:

- * MAT'L: NYLON 66 UL94V-2
- * MATES WITH 5016 SERIES TERMINAL
- * ACCEPTS WITH: 5016H SERIES HOUSING
- * POSITIVE HOUSING LOCKS



PART NO.	A	B
5015PR-02 (2x1) 5015PR-02B	5.4	
5015PR-04 (2x2) 5015PR-04B	9.6	4.2
5015PR-06 (2x3) 5015PR-06B	13.8	8.4
5015PR-08 (2x4) 5015PR-08B	18.0	12.6
5015PR-10 (2x5) 5015PR-10B	22.2	16.8
5015PR-12 (2x6) 5015PR-12B	26.4	21.0
5015PR-14 (2x7) 5015PR-14B	30.6	25.2
5015PR-16 (2x8) 5015PR-16B	34.8	29.4
5015PR-18 (2x9) 5015PR-18B	39.0	33.6
5015PR-20 (2x10) 5015PR-20B	43.2	37.8
5015PR-22 (2x11) 5015PR-22B	47.4	42.0
5015PR-24 (2x12) 5015PR-24B	51.6	46.2