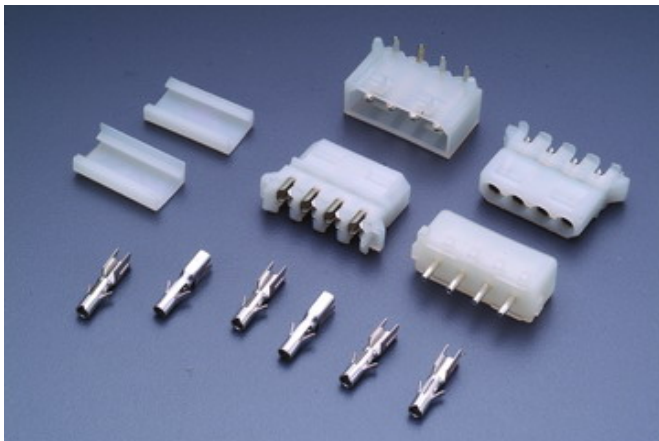


# 8613H SERIES

.200" (5.08mm) PITCH WIRE TO BOARD CONNECTOR



## Specifications

Current rating: 5A AC,DC

Voltage rating: 250V AC,DC

Temperature range:  $-25^{\circ}\text{C}$  to  $+85^{\circ}\text{C}$   
(including temperature rise)

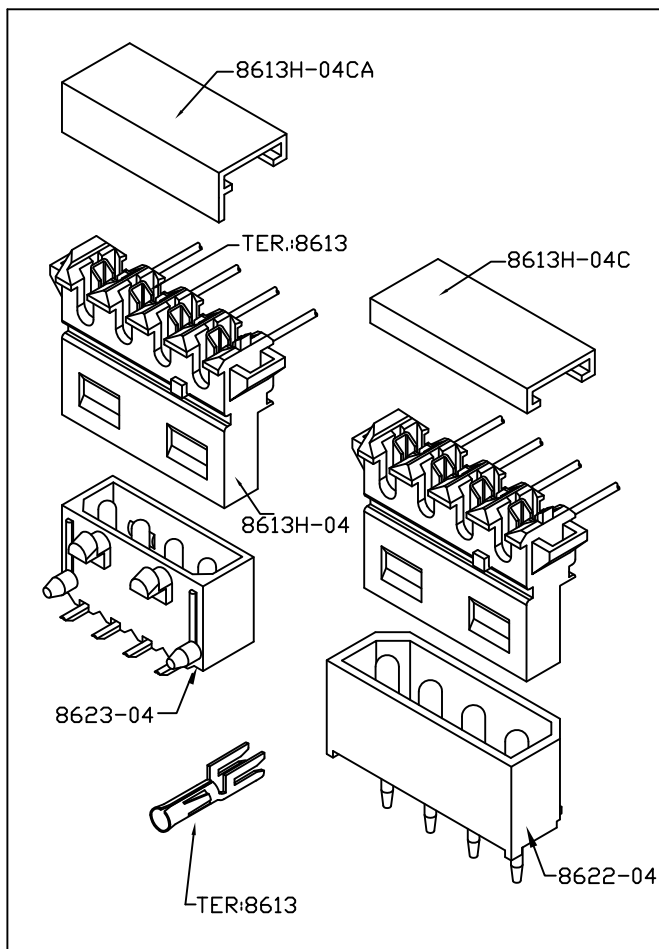
Contact resistance: Initial value/10  $\text{m}\Omega$  Max.

After environmental testing/20 $\text{m}\Omega$  Max.

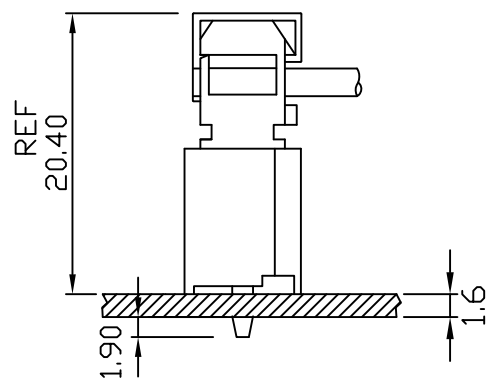
Insulation resistance: 500 $\text{M}\Omega$  MIN.

Withstanding voltage: 1000V AC/minute

Applicable wire: AWG#18-22



## Assembly layout

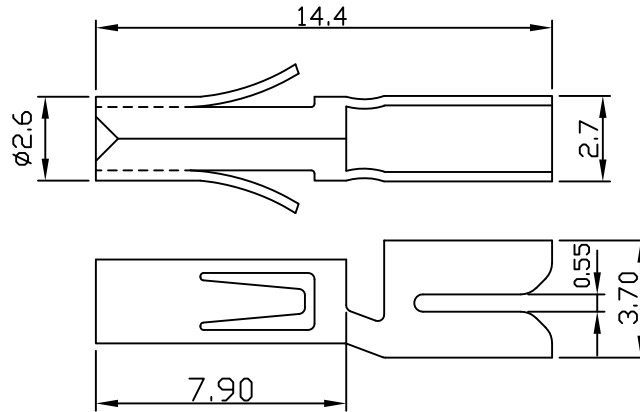


# 8613 .200" (5.08mm) PITCH CRIMP TERMINAL

Features:

unit:mm

- \* THICKNESS: 0.3mm
- \* MAT'L: BRASS TIN PLATED
- \* MATES WITH: 8613H-04 SERIES HOUSING



PART NO.	WIRE RANGE	INSULATION O.D.	MATERIAL	FINISH	QTY/REEL
8613	AWG#18-#20	φ1.5~φ1.2mm	BRASS	Tin-plated	5,000

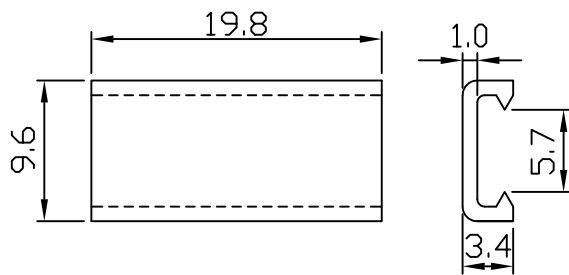
# 8613H-04/8613H-04C/8613-04CA .200" (5.08mm) PITCH HOUSING

Features:

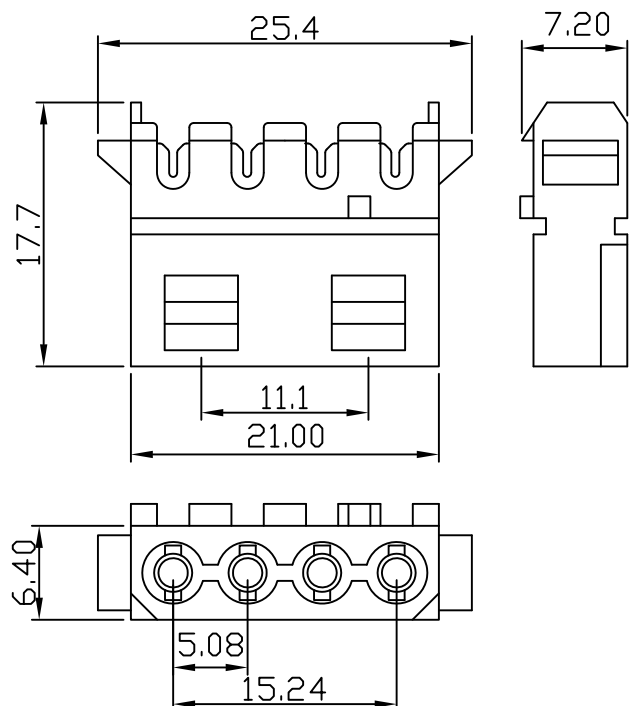
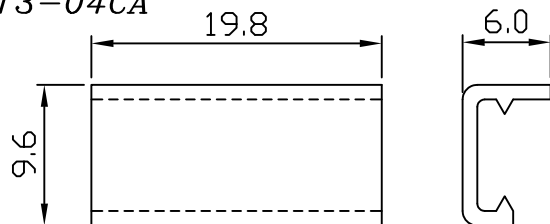
unit:mm

- \* MAT'L: NYLON 66 UL 94V-2
- \* MATES WITH: 8613H SERIES TERMINAL
- \* ACCEPTS WITH: 8622-04 & 8623-04 SERIES WAFER **8613H-04**

## 8613H-04C



## 8613-04CA

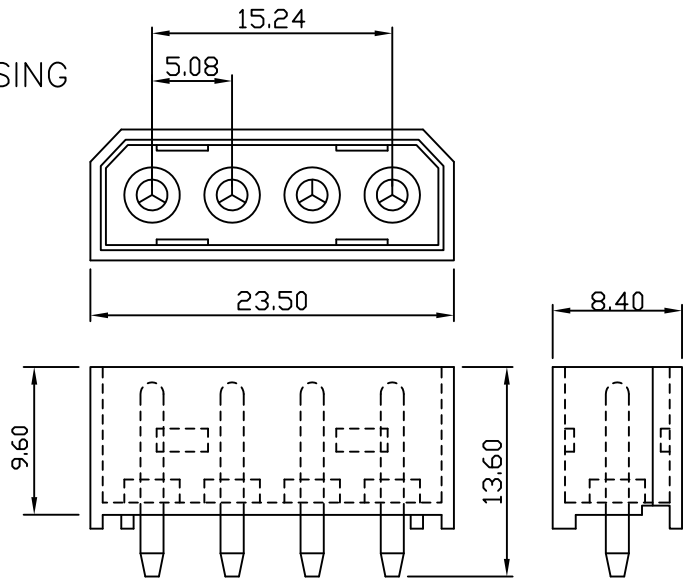
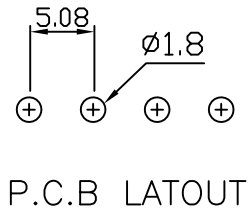


# 8622-04 .200" (5.08mm) PITCH Headers—Straight

Features:

- \* BODY: NYLON 66 UL94V-2
- \* PIN: BRASS TIN PLATED
- \* MATES WITH 8620-04 HOUSING

unit:mm



# 8623-04 .200" (5.08mm) PITCH WAFER

Features:

- \* BODY: NYLON 66 UL94V-2
- \* PIN: BRASS TIN PLATED
- \* MATES WITH 8620-04 HOUSING

unit:mm

Side entry type

