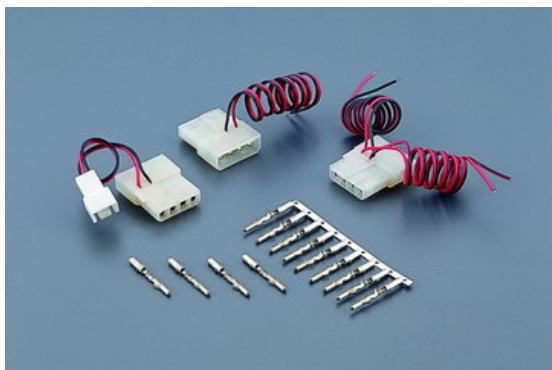


# 8625 SERIES

.200" (5.08mm) PITCH WIRE TO BOARD CONNECTOR



## Specifications

Current rating: 5A AC,DC

Voltage rating: 250V AC,DC

Temperature range:  $-25^{\circ}\text{C}$  to  $+85^{\circ}\text{C}$

(including temperature rise)

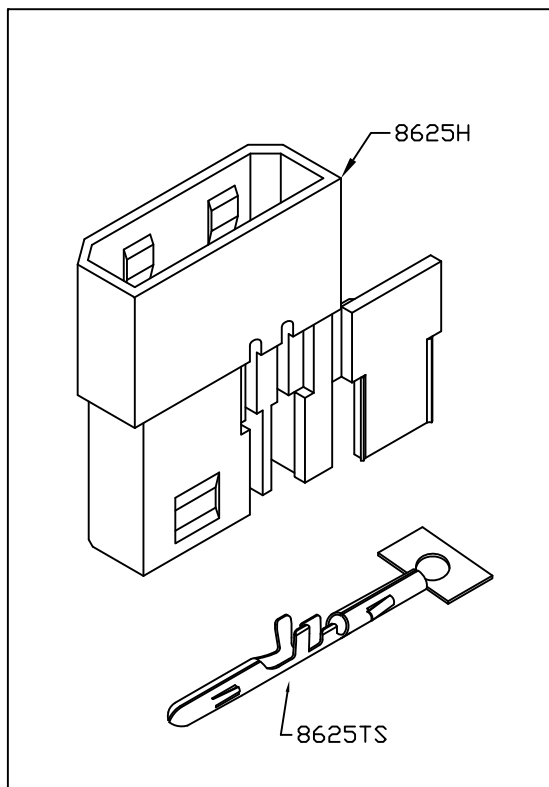
Contact resistance: Initial value/10m $\Omega$  Max.

After environmental testing/20m $\Omega$  Max.

Insulation resistance: 500M $\Omega$  MIN.

Withstanding voltage: 1000V AC/minute

Applicable wire: AWG#24-26



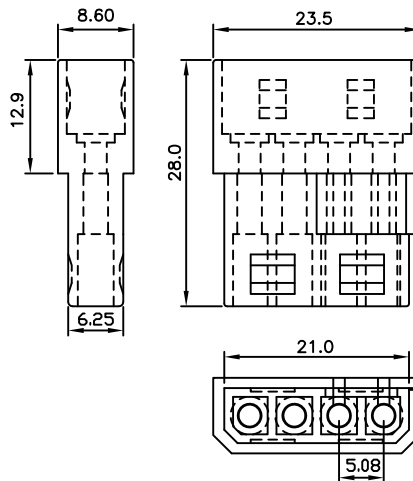
## Assembly layout

# 8625 .200" (5.08mm) PITCH HOUSING

Features:

unit:mm

- \* MAT'L: NYLON 66 UL94V-2
- \* POSITION: 4POLE
- \* MATE WITH: 8625 SERIES TERMINAL

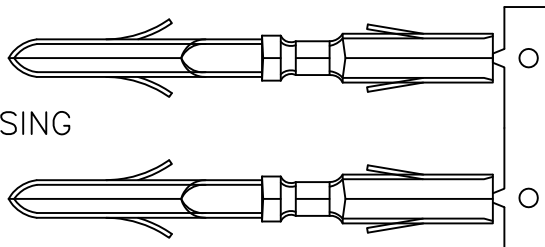


# 8625T .200" (5.08mm) PITCH TERMINAL

unit:mm

8625TL

- THICKNESS: 0.25mm
- MAT'L: BRASS TIN PLATED
- MATES WITH: 8625H SERIES HOUSING
- PACKING: 8000 PCS/BAG



8625TLS

- THICKNESS: 0.25mm
- MAT'L: BRASS TIN PLATED
- MATES WITH: 8625H SERIES HOUSING
- PACKING: 8000 PCS/BAG

