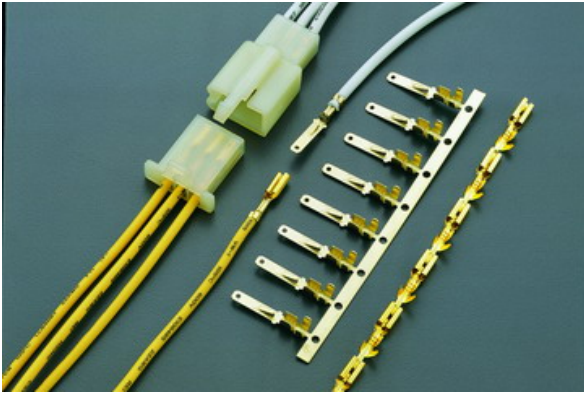


E631H/E731H/E631H-K/E731H-K SERIES

.157" (4.0mm) WIRE TO WIRE CONNECTOR



Specifications

Current rating: 3A AC,DC

Voltage rating: 250V AC,DC

Temperature range: -25°C to +85°C
(including temperature rise)

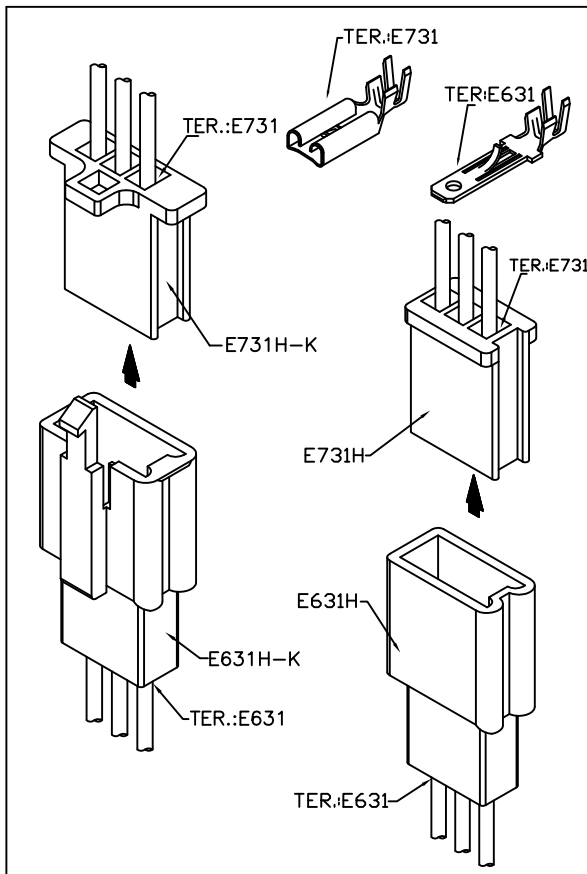
Contact resistance: Initial value/10mΩ Max.

After environmental testing/20mΩ Max.

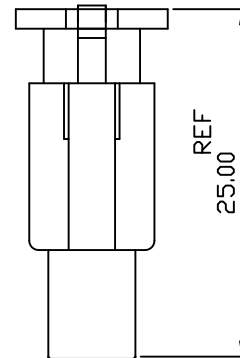
Insulation resistance: 500MΩ MIN.

Withstanding voltage: 1500V AC/minute

Applicable wire: AWG#18-22



Assembly layout



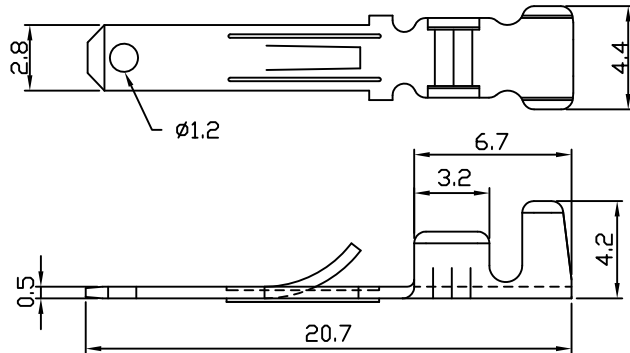
WIRE TO WIRE

E631 E630 FASTON TERMINAL

E631

Features:

- * THICKNESS: 0.5mm
- * MATERIAL: BRASS
- * TREATMENT: CHEMICAL GRADING
- * ACCEPTS : E731 SERIES TERMINAL

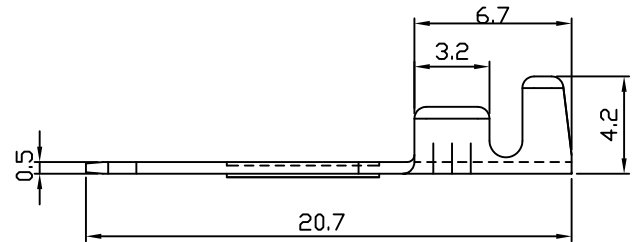


E630

unit:mm

Features:

- * THICKNESS: 0.5mm
- * MATERIAL: BRASS
- * TREATMENT: CHEMICAL GRADING
- * ACCEPTS : E631H SERIES HOUSING



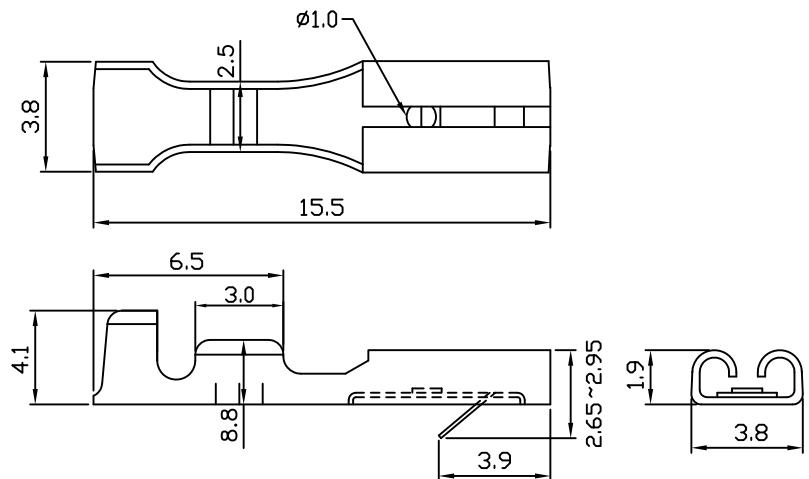
PART NO.	WIRE RANGE	INSULATION O.D.	MATERIAL	FINISH	QTY/REEL
E631	AWG#18-#22	φ1.9~φ2.5mm	BRASS	—	5000
E630	AWG#18-#22	φ1.9~φ2.5mm	BRASS	—	5000

E731 FASTON TERMINAL

Features:

- * THICKNESS: 0.25mm
- * MATERIAL: BRASS TIN PLATED
- * ACCEPTS: 110" TAB PLUG

unit:mm



PART NO.	WIRE RANGE	INSULATION O.D.	MATERIAL	FINISH	QTY/REEL
E731	AWG#18-#22	φ1.9~φ2.5mm	BRASS	TIN PLATED	10,000
E731S-0	AWG#18-#22	φ1.9~φ2.5mm	BRASS	TIN PLATED	5,000

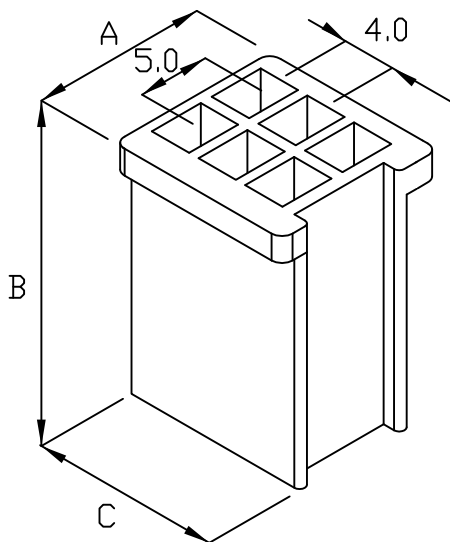
E731H .157" (4.0mm) PITCH HOUSING

Features:

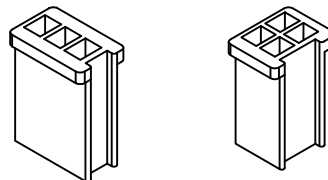
unit:mm

- * MAT'L: NYLON 66 UL94V-2
- * MATES WITH: E731 SERIES TERMINAL
- * ACCEPTS WITH: E631H SERIES HOUSING

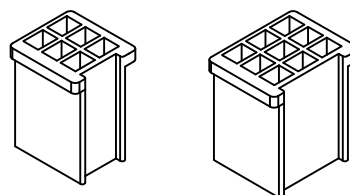
E731H-06(2X3)



E731H-03(1X3) E731H-04(2X2)



E731H-04(2X2) E731H-09(3X3)



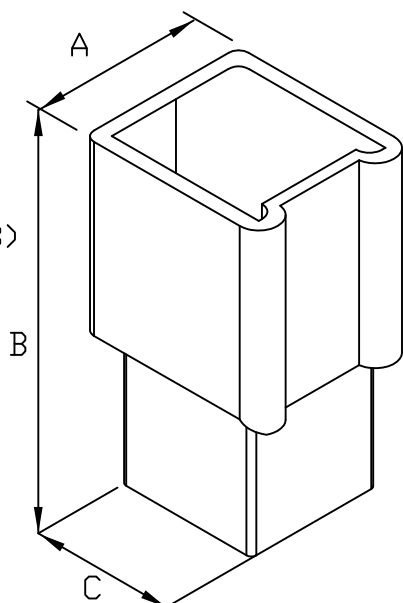
PART NO.	A	B	C
E731H-03 (1X3)	8.2	19.5	14.5
E731H-04 (2X2)	13.3	19.5	14.5
E731H-06 (2X3)	13.3	19.5	15.5
E731H-09 (3X3)	18.2	19.5	15.5

E631H .157" (4.0mm) PITCH HOUSING

Features:

- * MAT'L: NYLON 66 UL94V-2
- * MATES WITH: E631 SERIES TERMINAL
- * ACCEPTS WITH: E731H SERIES HOUSING

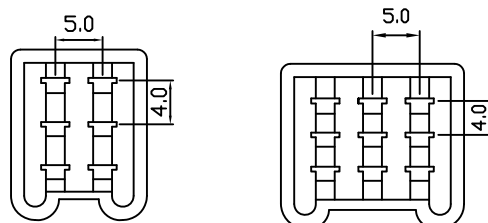
E631H-06(2X3)



E631H-01(1X3) E631H-04(2X2)



E631H-06(2X3) E631H-09(3X3)



PART NO.	A	B	C
E631H-03 (1X3)	9.5	32.0	13.2
E631H-04 (2X2)	14.5	32.0	9.4
E631H-06 (2X3)	14.5	32.0	13.2
E631H-09 (3X3)	19.4	32.0	13.2

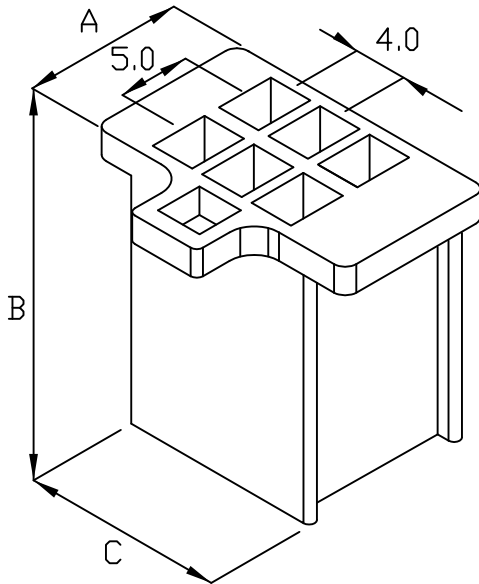
E731H-K .157" (4.0mm) PITCH HOUSING

unit:mm

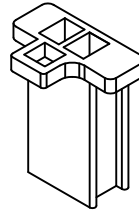
Features:

- * MAT'L: NYLON 66 UL94V-2
- * MATES WITH: E731 SERIES TERMINAL
- * ACCEPTS WITH: E631-K SERIES HOUSING

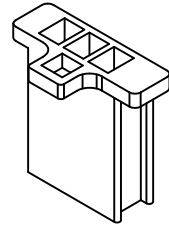
E731H-06K(2X3)



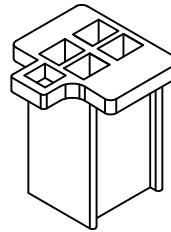
E731H-02K(1X2)



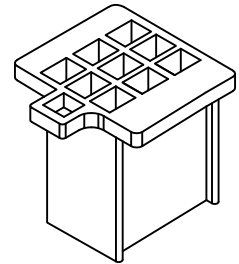
E731H-03K(1X3)



E731H-04K(2X2)



E731H-09K(3X3)



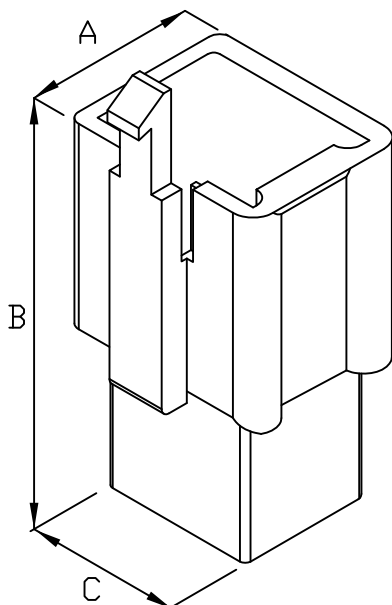
PART NO.	A	B	C
E731H-02K(1X2)	6.2	19.5	10.4
E731H-03K(1X3)	6.2	19.5	14.4
E731H-04K(2X2)	11.2	19.5	10.4
E731H-06K(2X3)	11.2	19.5	14.4
E731H-09K(3X3)	16.2	19.5	14.4

E631H-K .157" (4.0mm) PITCH HOUSING

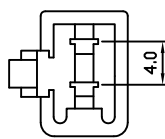
unit:mm

Features:

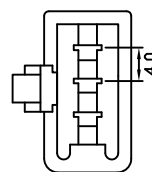
- * MAT'L: NYLON 66 UL94V-2
- * MATES WITH: E631 SERIES TERMINAL
- * ACCEPTS WITH: E731-K SERIES HOUSING



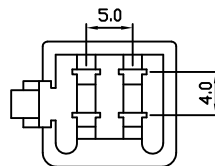
E631H-02K(1X2)



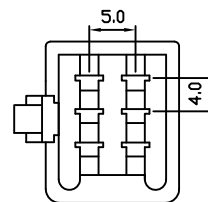
E631H-03K(1X3)



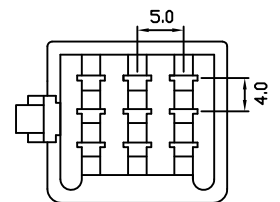
E631H-04K(2X2)



E631H-09K(2X3)



E631H-09K(3X3)



PART NO.	A	B	C
E631H-02K(1X2)	9.3	30.0	9.2
E631H-03K(1X3)	9.3	30.0	13.2
E631H-04K(2X2)	14.5	30.0	9.2
E631H-06K(2X3)	14.5	30.0	13.2
E631H-09K(3X3)	19.4	30.0	13.2