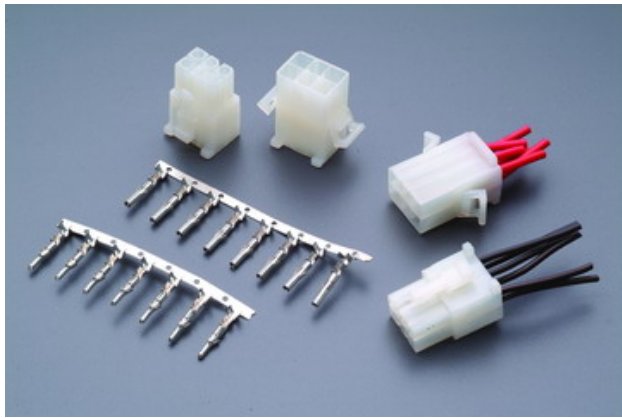


# E058H-A/E158H-A SERIES

— .145" (4.8mm) WIRE TO WIRE CONNECTOR —



## Specifications

Current rating: 4A AC,DC

Voltage rating: 250V AC,DC

Temperature range: -25°C to +85°C  
(including temperature rise)

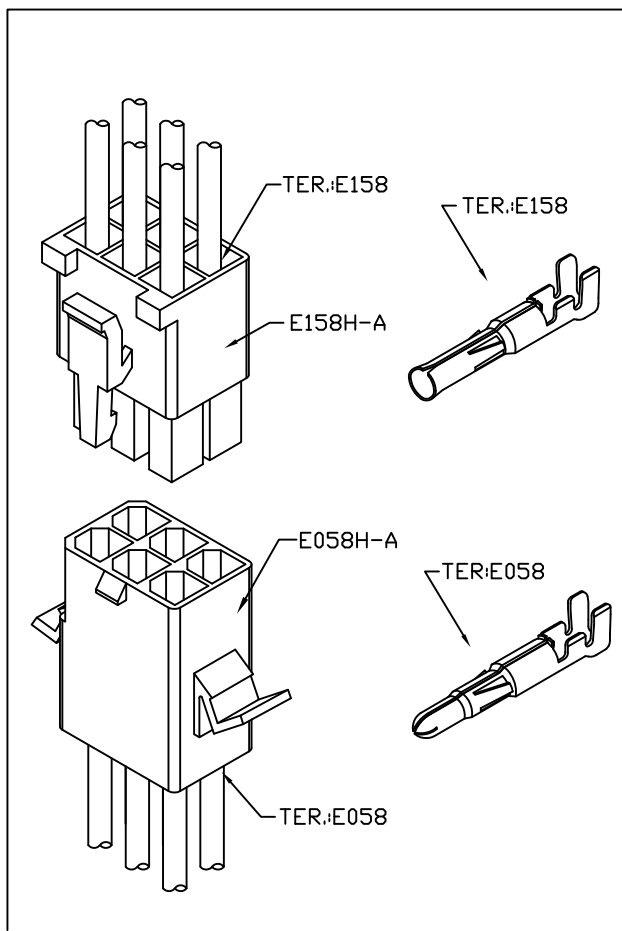
Contact resistance: Initial value/10mΩ Max.

After environmental testing/20mΩ Max.

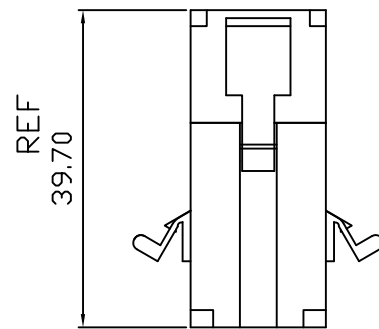
Insulation resistance: 1000MΩ MIN.

Withstanding voltage: 1500V AC/minute

Applicable wire: AWG#18-22



## Assembly layout



WIRE TO WIRE

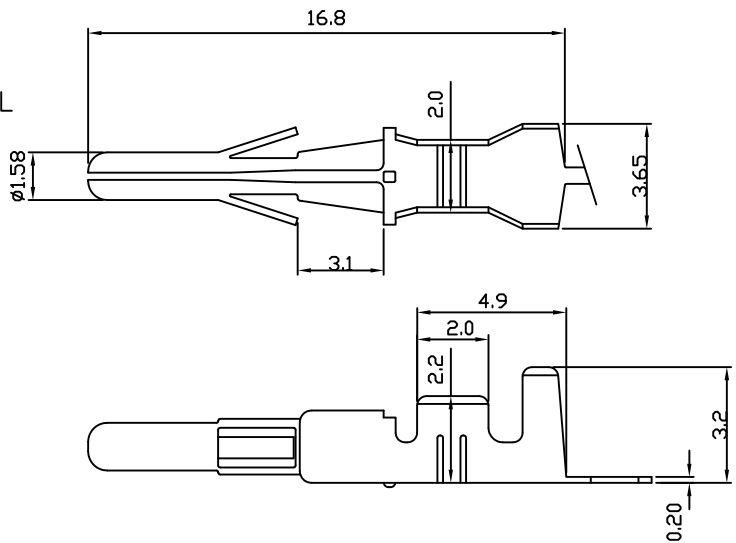
# E058 CRIMP TERMINAL

## E058

unit:mm

Features:

- \* THICKNESS: 0.20 mm
- \* MAT'L: BRASS TIN PLATED
- \* MATES WITH: E158 SERIES TERMINAL
- \* ACCEPTS WITH: E058H E058H-A  
E058H-K HOUSING



PART NO.	WIRE RANGE	INSULATION O.D.	MATERIAL	FINISH	QTY/REEL
E058	#18-#22	3.0mm MAX	BRASS	Tin-plated	7000

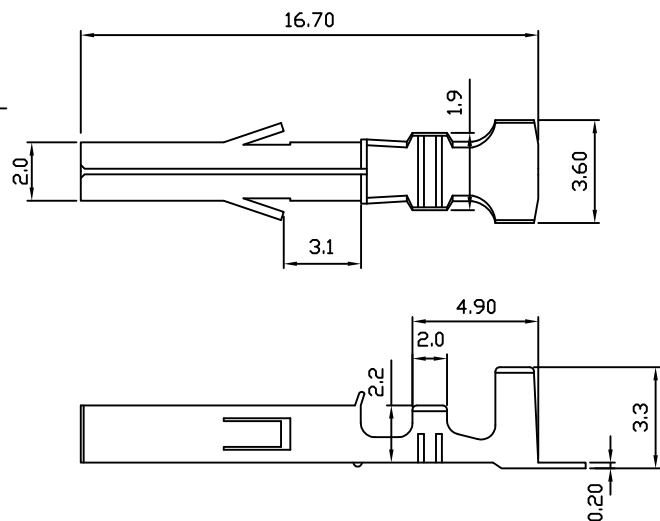
# E158 CRIMP TERMINAL

## E158

unit:mm

Features:

- \* THICKNESS: 0.20 mm
- \* MAT'L: BRASS TIN PLATED
- \* MATES WITH: E058 SERIES TERMINAL
- \* ACCEPTS WITH: E158H E158H-A  
E158H-K HOUSING



PART NO.	WIRE RANGE	INSULATION O.D.	MATERIAL	FINISH	QTY/REEL
E158	#18-#22	3.0mm MAX	BRASS	Tin-plated	7000

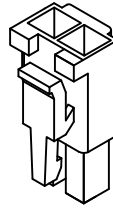
# E158H-A .145" (4.8mm) PITCH HOUSING

## Features:

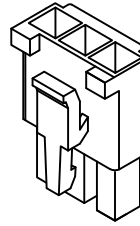
- \* MAT'L: NYLON66 UL94-V2
- \* MATES WITH: E158 SERIES TERMINAL
- \* MATES WITH: E058-A SERIES HOUSING

unit:mm

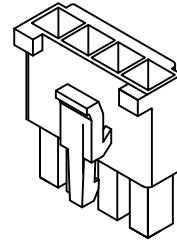
E158-02A



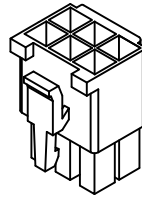
E158-03A



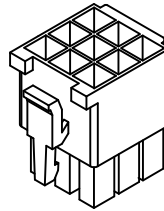
E158-04A



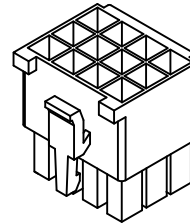
E158H-06A (2X3)



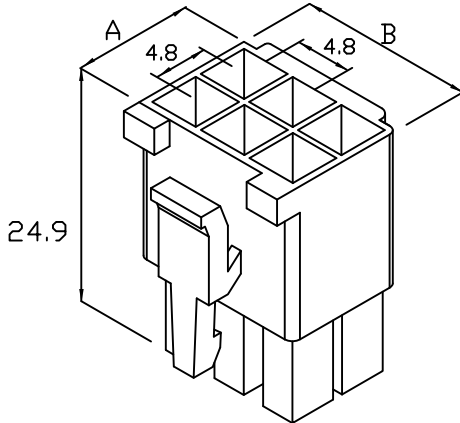
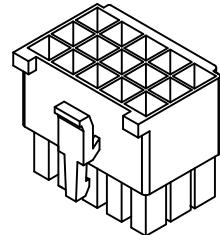
E158H-09A (3X3)



E158H-12A (3X4)



E158H-15A (3X5)



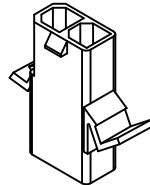
PRAT NO	A	B
E158H-02A(1X2)	7.2	12.0
E158H-03A(1X3)	7.2	16.8
E158H-04A(1X4)	7.2	21.6
E158H-06A(2x3)	12.0	16.8
E158H-09A(3X3)	16.8	16.8
E158H-12A(3X4)	16.8	21.6
E158H-15A(3X5)	16.8	26.4

# E058H-A .145" (4.8mm) PITCH HOUSING

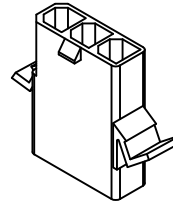
## Features:

- \* MAT'L: NYLON66 UL94-V2
- \* MATES WITH: E058 SERIES TERMINAL
- \* MATES WITH: E158-A SERIES HOUSING

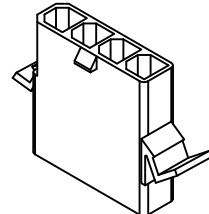
E058-02A(45°)



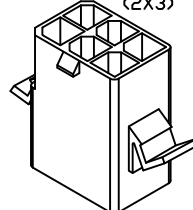
E058-03A(45°)



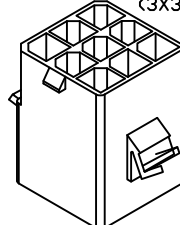
E058-04A(45°)



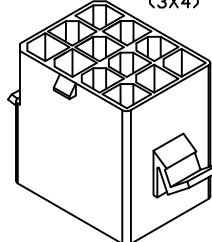
E058H-06A(45°)  
(2X3)



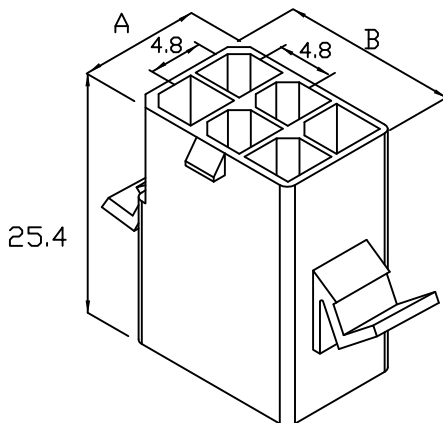
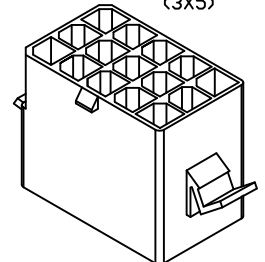
E058H-09A(45°)  
(3X3)



E058H-12A(45°)  
(3X4)



E058H-15A(45°)  
(3X5)



PRAT NO	A	B
E058H-02A(1X2)	7.2	12.0
E058H-03A(1X3)	7.2	16.8
E058H-04A(1X4)	7.2	21.6
E058H-06A(2x3)	12.0	16.8
E058H-09A(3X3)	16.8	16.8
E058H-12A(3X4)	16.8	21.6
E058H-15A(3X5)	16.8	26.4

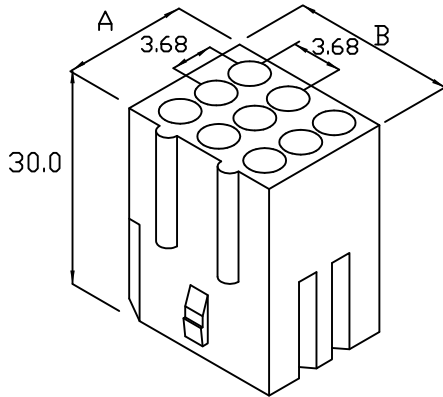
# E158H/E158H-K .145" (3.68mm) PITCH HOUSING

## E158H

unit:mm

### Features:

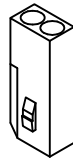
- \* MAT'L: NYLON66 UL94-V2
- \* MATES WITH: E158 SERIES TERMINAL
- \* MATES WITH: E058 SERIES HOUSING



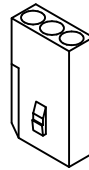
E158-01



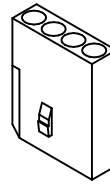
E158-02



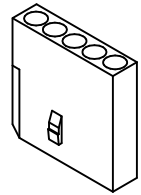
E158-03



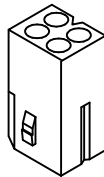
E158-04



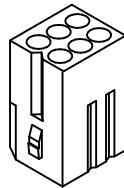
E158-05



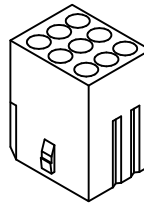
E158-04 (2X2)



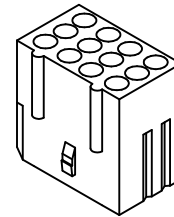
E158-06 (3X2)



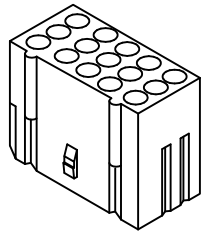
E158-09 (3X3)



E158-12 (3X4)



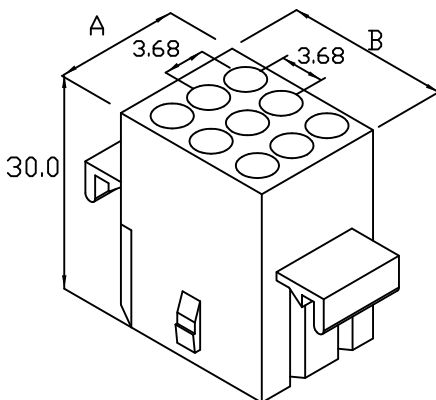
E158-15 (3X5)



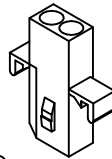
## E158H-K

### Features:

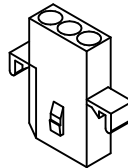
- \* MAT'L: NYLON66 UL94-V2
- \* MATES WITH: E158 SERIES TERMINAL
- \* MATES WITH: E058-K SERIES HOUSING



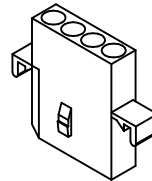
E158-02K



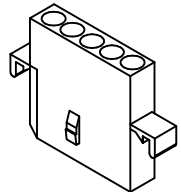
E158-03K



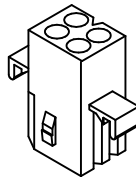
E158-04K



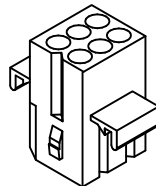
E158-05K



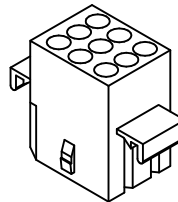
E158-04K (2X2)



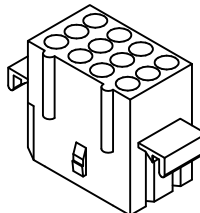
E158-06K (3X2)



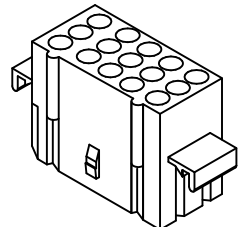
E158-09K (3X3)



E158-12K (3X4)



E158-15K (3X5)



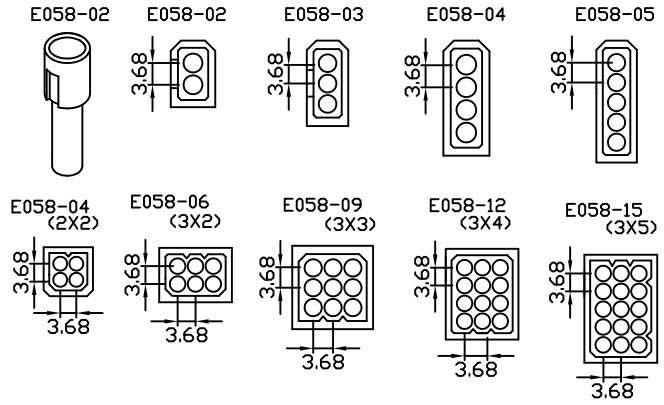
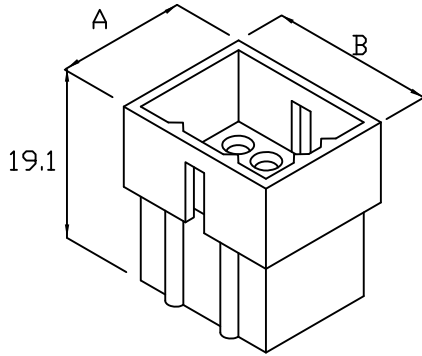
PRAT NO	A	B
E158H-01	∅7.6	
E158H-02 (1X2) E158H-02K	4.9	8.7
E158H-03 (1X3) E158H-03K	4.9	12.4
E158H-04 (1X4) E158H-04K	4.9	16.1
E158H-05 (1X5) E158H-05K	4.9	19.7
E158H-04 (2X2) E158H-04K	8.6	8.6
E158H-06 (3X2) E158H-06K	12.5	8.6
E158H-09 (3X3) E158H-09K	12.7	12.7
E158H-12 (3X4) E158H-12K	12.7	16.8
E158H-15 (3X5) E158H-15K	12.7	19.9

# E058H/E058H-K .145" (3.68mm) PITCH HOUSING

## E058H

Features:

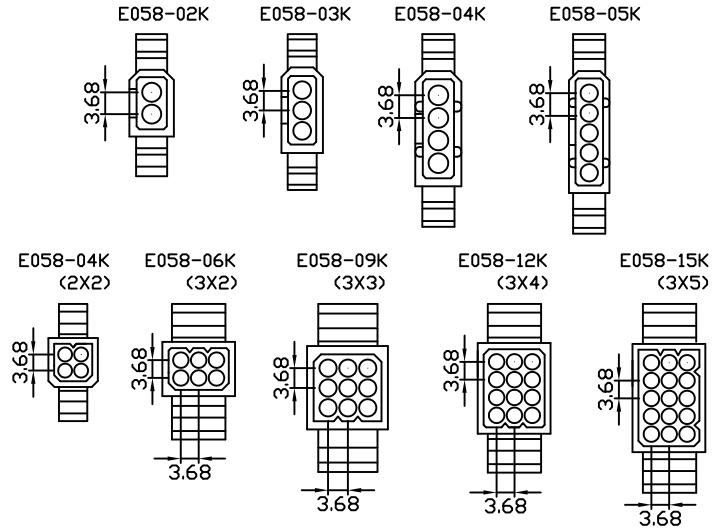
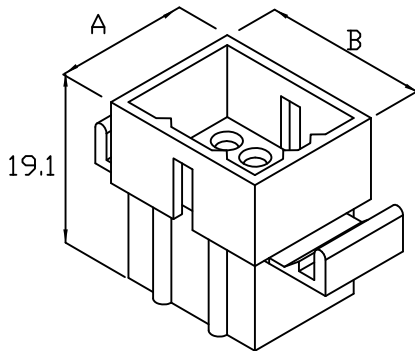
- \* MAT'L: NYLON66 UL94-V2
- \* MATES WITH: E058 SERIES TERMINAL
- \* MATES WITH: E058H SERIES HOUSING



## E058H-K

Features:

- \* MAT'L: NYLON66 UL94-V2
- \* MATES WITH: E058 SERIES TERMINAL
- \* MATES WITH: E158-K SERIES HOUSING



PRAT NO	A	B
E058H-01	∅7.6	
E058H-02 (1X2) E058H-02K	7.5	11.20
E058H-03 (1X3) E058H-03K	7.5	14.90
E058H-04 (1X4) E058H-04K	7.5	18.75
E058H-05 (1X5) E058H-05K	7.9	22.50
E058H-04 (2X2) E058H-04K	11.2	11.2
E058H-06 (3X2) E058H-06K	15.0	11.2
E058H-09 (3X3) E058H-09K	15.0	14.9
E058H-12 (3X4) E058H-12K	15.0	18.7
E058H-15 (3X5) E058H-15K	15.0	22.3