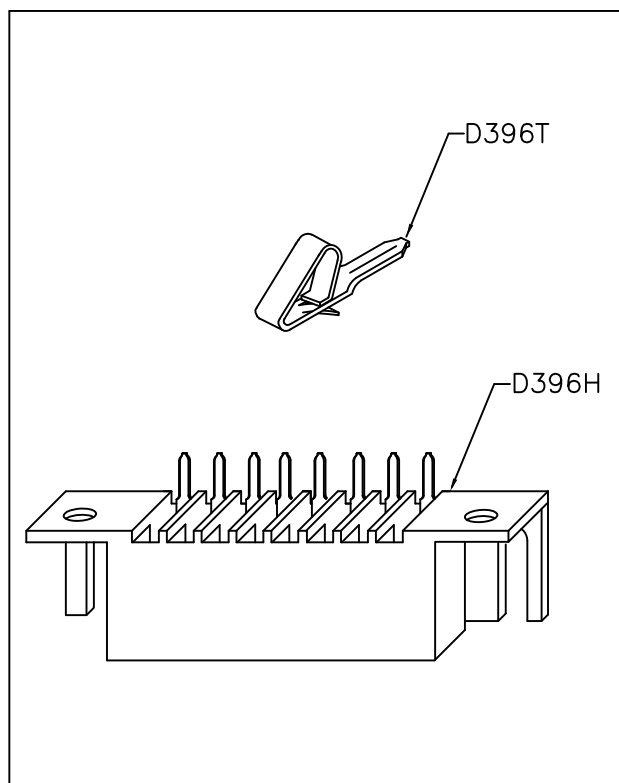
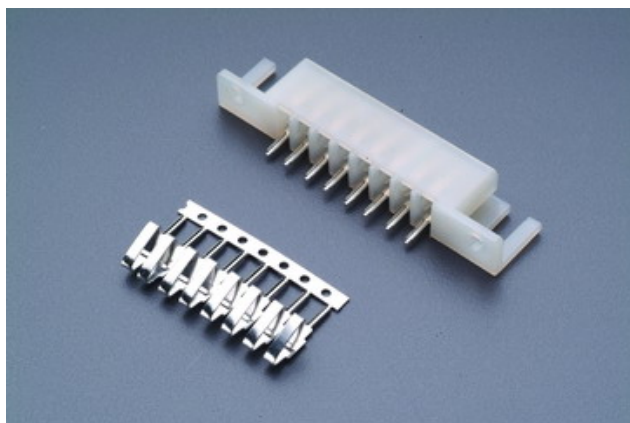


D396H SERIES

.156" (3.96mm) PITCH CONNECTOR



D396T

- * THICKNESS: 0.25mm
- * MAT'L: BRASS TIN PLATED
- * CURRENT RATING: 5A AC,DC
- * VOLTAGE RATING: 250V AC,DC
- * MATES WITH: D396H SERIES HOUSING

D396H

- * MAT'L: NYLON 66 UL94V-2
- * MATES WITH: D396T SERIES TERMINAL

PART NO.	DIM"A"	DIM"B"	DIM"C"
D396-08	54.80	27.72	46.80
D396-15	82.50	55.44	74.50

