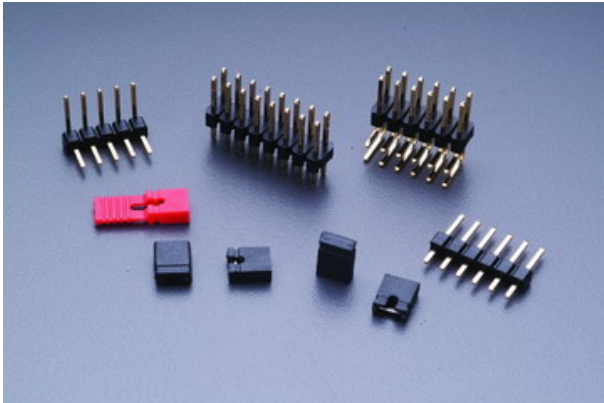


JUMPER SERIES

.100" (2.54mm) PITCH



Specifications

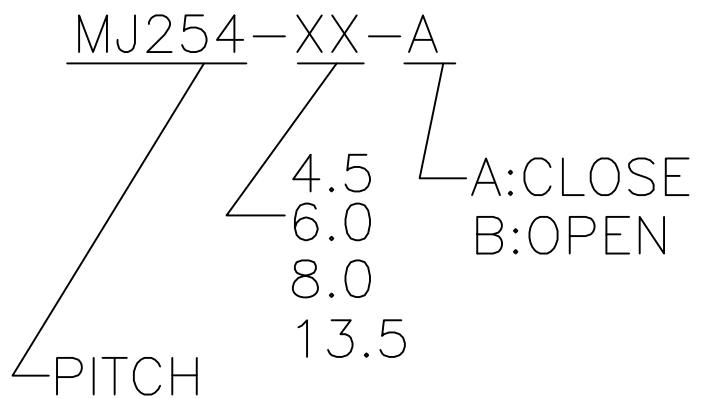
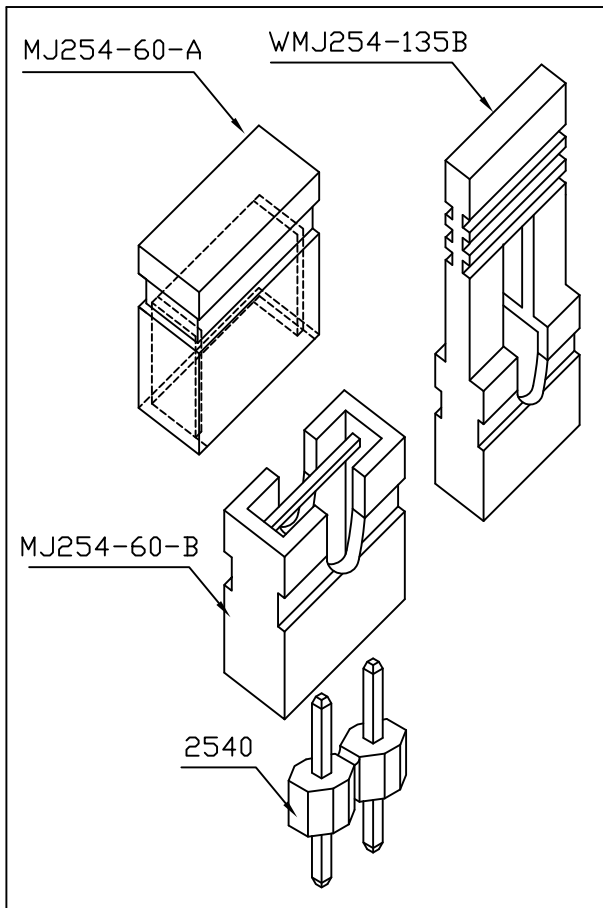
Current rating: 3A AC,DC

Voltage rating: 650V AC,DC

Temperature range: -40°C to +105°C

Insulation resistance: 5000M Ω MIN.

Withstanding voltage: 500V AC/minute



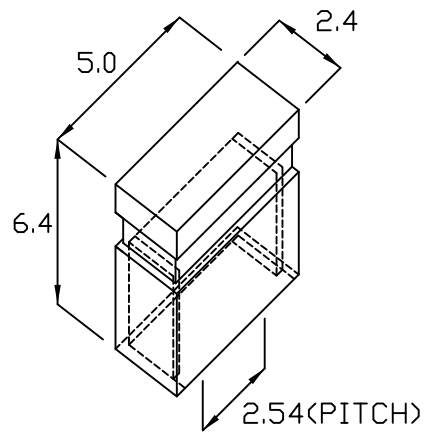
**COLER: BLOCK.BROWN RED ORANG
ORANG YELLOW GREEN**

MJ254-60-A .100"(2.54mm) PITCH MINI JUMPER

unit:mm

Features:

- * MAT'L: CONTACT: PHOSPHOR BRONZE
- * INSULATOR: POLYESTER P.B.T UL94V-0 RATED
- * MATES: 2540 SERIES WAFAR

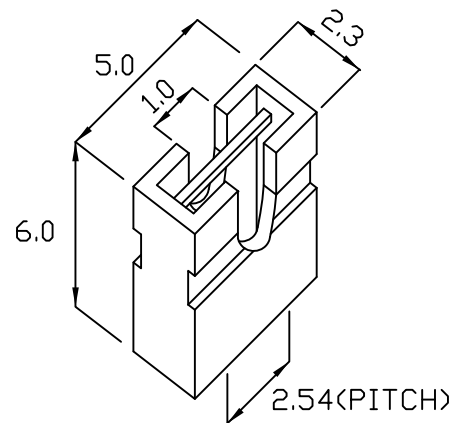


MJ254-60-B .100"(2.54mm) PITCH MINI JUMPER

unit:mm

Features:

- * MAT'L: CONTACT: PHOSPHOR BRONZE
- * INSULATOR: POLYESTER P.B.T UL94V-0 RATED
- * MATES: 2540 SERIES WAFAR



WMJ254-135B .100"(2.54mm) PITCH MINI JUMPER

unit:mm

Features:

- * MAT'L: CONTACT: PHOSPHOR BRONZE
- * INSULATOR: POLYESTER P.B.T UL94V-0 RATED
- * MATES: 2540 SERIES WAFAR

