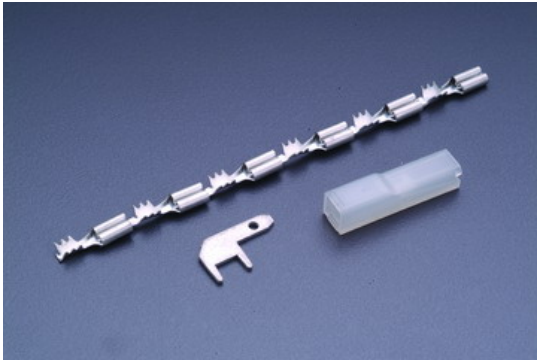


FASTON 110 SERIES



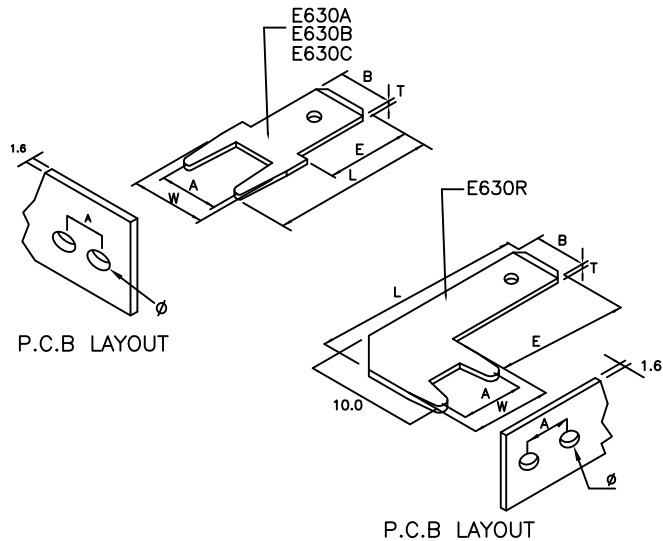
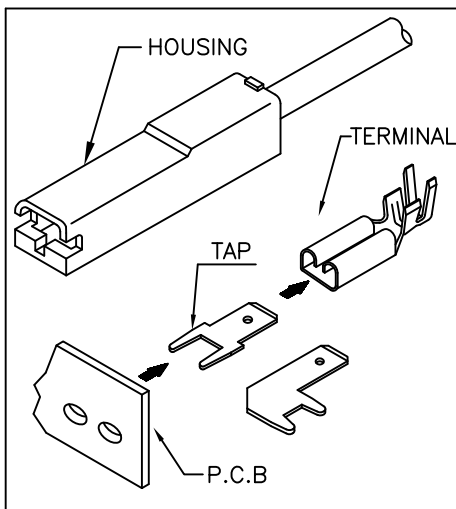
Specifications

CURRENT RATING: 5A AC,DC
VOLTAGE RATING: 250V AC,DC

110 TAP

Features:

- * MAT'L: BRASS TIN PLATED
- * MATES WITH: 110 SERIES TERMINAL

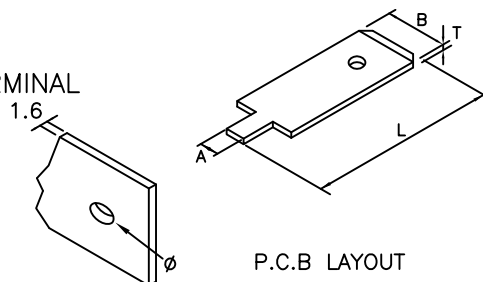


110 TAB SERIES

PART/NO.	T	B	W	L	E	A	∅	MAT'L
E630A	0.8	2.8	3.75	13.15	7.1	2.54	1.40	BRASS TIN PLATED
E630B	0.5	2.8	3.75	13.15	7.1	2.54	1.40	
E630C	0.3	2.8	3.75	13.15	7.1	2.54	1.40	
E630R	0.8	2.8	3.75	13.3	7.1	2.54	1.40	

Features:

- * MAT'L: BRASS TIN PLATED
- * MATES WITH: 110 SERIES TERMINAL



110 TAB SERIES

PART/NO.	T	B	W	L	E	A	∅	MAT'L
E630D	0.8	2.8		13.1		1.05	1.4	BRASS TIN PLATED
E630E	0.8	2.8		10.2		1.05	1.4	

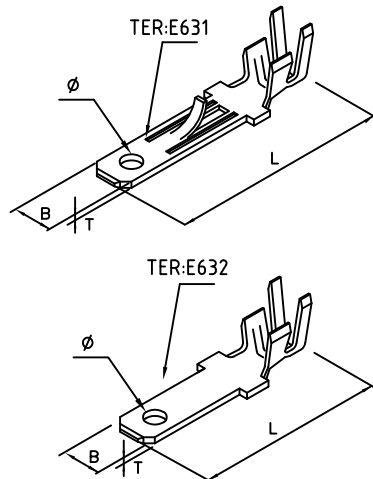
FASTON 110 SERIES

unit:mm

110 TERMINAL(Male)

Features:

- * MAT'L: BRASS TIN PLATED
- * MATES WITH: 110 SERIES TERMINAL

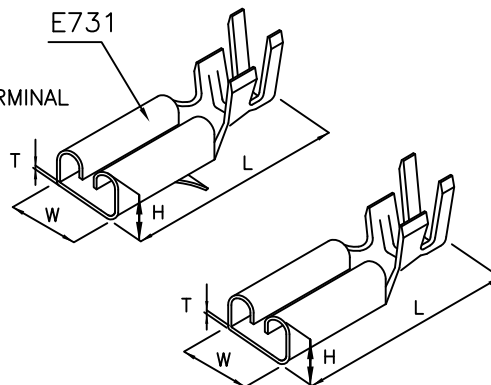


PART/NO.	T	B	L	φ	MAT'L
E631	0.5	2.8	20.70	1.20	BRASS TIN PLATED
E632	0.5	2.8	16.20	1.40	
	0.8	2.8	16.20	1.40	

110 TERMINAL(Female)

Features:

- * MAT'L: BRASS TIN PLATED
- * MATES WITH: 110(Male) SERIES TERMINAL
- * MATES WITH: 110 SERIES HOUSING

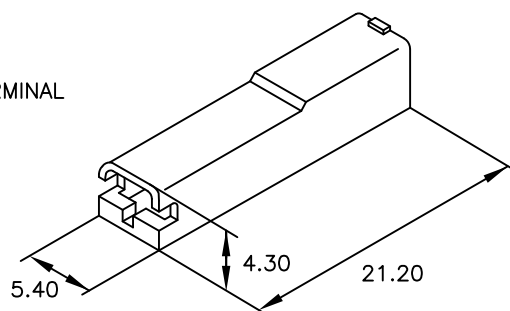


PART/NO.	THICKNESS	W	L	H	WIRE RANGE	MAT'L	TAB (TXB)
E731	0.25	3.8	15.5	1.85	AWG#16-20	BRASS TIN PLATED	0.5X2.8
E732	0.25	3.8	15.5	1.85			0.5X2.8
E733	0.25	3.8	15.5	2.0			0.8X2.8
E735	0.25	3.8	15.5	1.85	AWG#18-22	BRASS TIN PLATED	0.5X2.8
E7351	0.25	3.8	15.5	2.0			0.8X2.8
110	0.25	3.8	15.5	1.90			0.5X2.8

110 HOUSING

Features:

- * MAT'L: NYLON 66 UL94V-2
- * MATES WITH: 110 SERIES TERMINAL

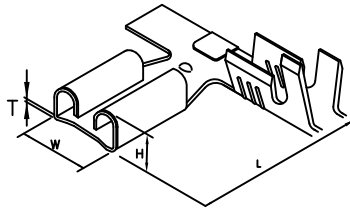


FASTON 110 SERIES

E733R

Features:

- * MAT'L: BRASS TIN PLATED
- * MATES WITH: 110 SERIES TAP

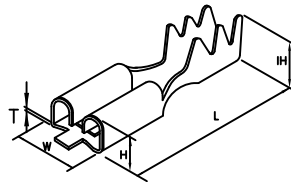


PART/NO.	THICKNESS	W	L	H	WIRE RANGE	MAT'L	TAB (TXB)
E733R	0.25	3.8	12.0	2.1	AWG#16-20	BRASS TIN PLATED	0.8X2.8

120

Features:

- * MAT'L: BRASS TIN PLATED
- * MATES WITH: 110 SERIES TAP



PART/NO.	THICKNESS	W	L	H	WIRE RANGE	MAT'L	TAB (TXB)
120	0.25	3.8	11.5	1.8			0.5X2.8