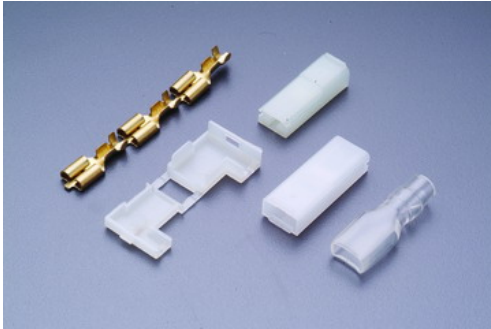


# FASTON 205 SERIES

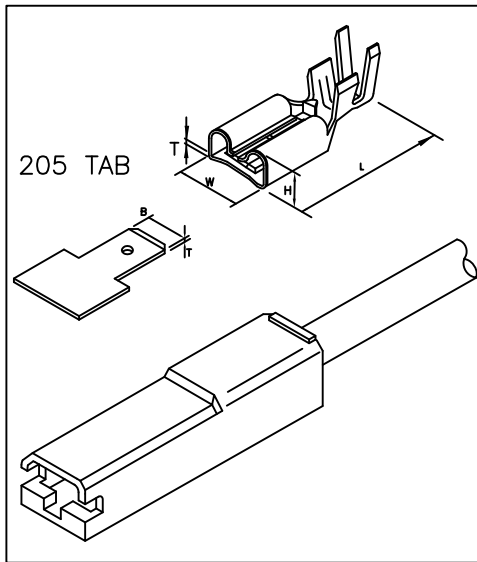
unit:mm



## Specifications

CURRENT RATING:5A AC,DC

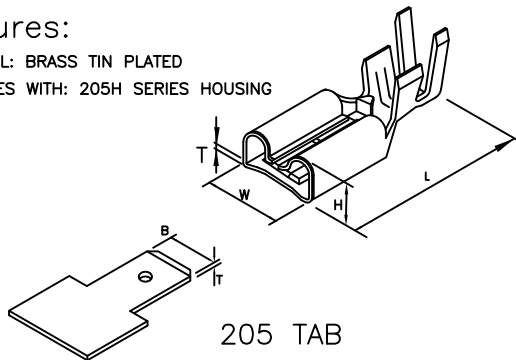
VOLTAGE RATING:250V AC,DC



## 205 TERMINAL

### Features:

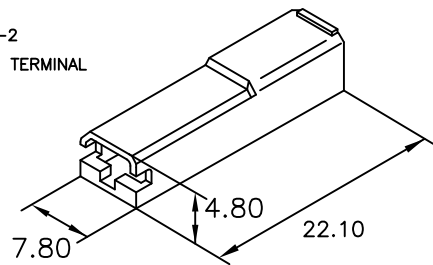
- \* MAT'L: BRASS TIN PLATED
- \* MATES WITH: 205H SERIES HOUSING



## 205 HOUSINGS

### Features:

- \* MAT'L: NYLON 66 UL94V-2
- \* MATES WITH: 205 SERIES TERMINAL



## 205 TAB SERIES

| TAB     |         |
|---------|---------|
| NOTE    | BXT     |
| 205 TAB | 5.2X0.5 |
|         | 5.2X0.8 |

## 205 TERMINAL

| PART/NO. | T   | W    | L    | H   | WIRE RANGE | MAT'L            | TAB(BXT)  |
|----------|-----|------|------|-----|------------|------------------|-----------|
| E7521    | 0.3 | 6.5  | 15.5 | 2.3 | AWG#12-14  | BRASS TIN PLATED | 5.2X0.5   |
| E752     | 0.3 | 6.5  | 15.5 |     | AWG#16-20  |                  | 5.2X0.5   |
| E753     | 0.3 | 6.5  | 15.5 |     | AWG#18-22  |                  | 5.2X0.5   |
| E754     | 0.3 | 6.5  | 15.5 | 2.5 | AWG#12-14  |                  | 5.2X0.8   |
| E7531    | 0.3 | 6.5  | 15.5 |     | AWG#18-22  |                  | 5.2X0.8   |
| E205     | 0.4 | 6.35 | 14.1 |     | 2.65       |                  | AWG#14-20 |

# E205 SERIES

unit:mm

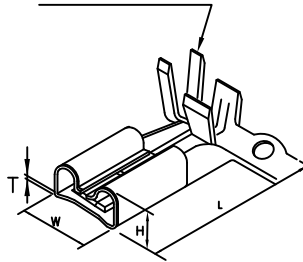


## E205 TERMINAL

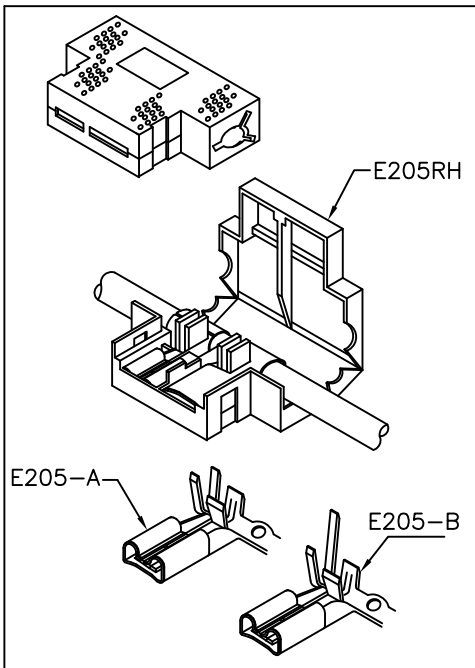
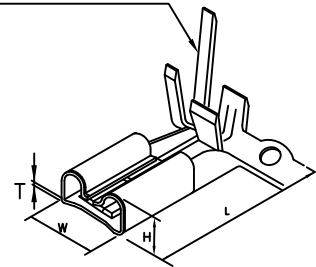
Features:

- \* MAT'L: BRASS TIN PLATED
- \* MATES WITH: E205H SERIES HOUSING

E205R-A



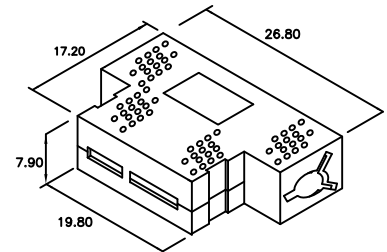
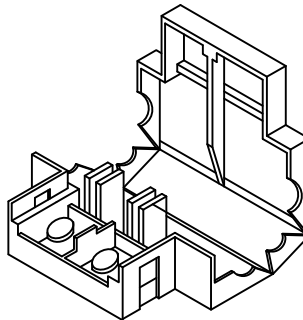
E205R-B



## E205RH HOUSINGS

Features:

- \* MAT'L: BRASS TIN PLATED
- \* MATES WITH: E205 SERIES TERMINAL



## 205 TERMINAL

| PART/NO. | T   | W   | L    | H   | WIRE RANGE | TAB(BXT) | MAT'L            |
|----------|-----|-----|------|-----|------------|----------|------------------|
| E205     | 0.4 | 6.3 | 11.9 | 2.7 | AWG#12-16  | 5.2X0.5  | BRASS TIN PLATED |
| E205R    | 0.4 | 6.3 | 11.9 |     |            |          |                  |
| E205RL   | 0.4 | 6.3 | 14.1 |     |            |          |                  |