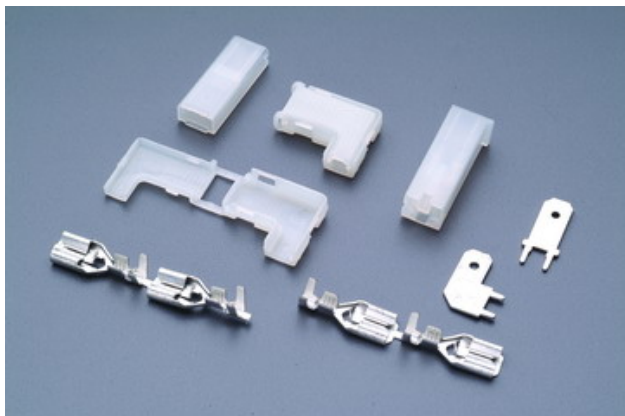
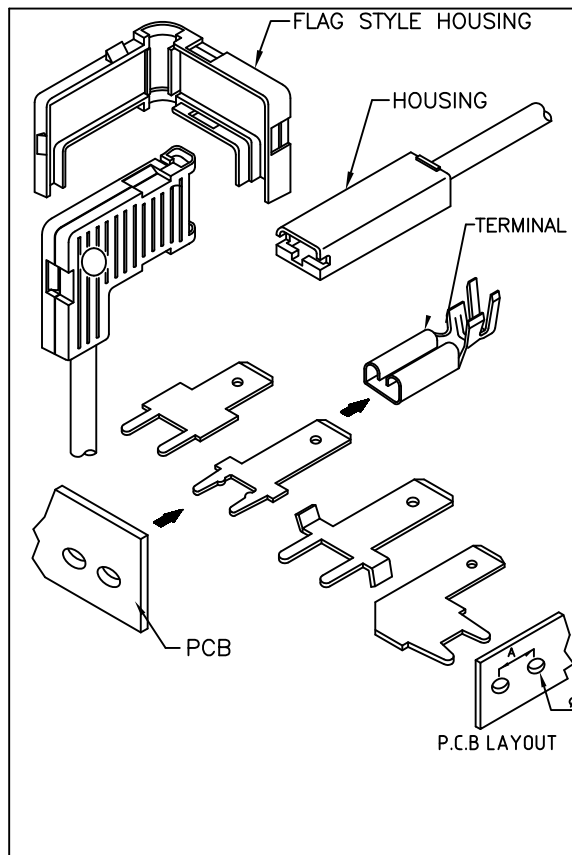


FASION-250 SERIES

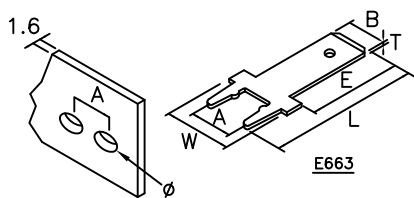


Specifications

CURRENT RATING: 5A AC,DC
VOLTAGE RATING: 250V AC,DC

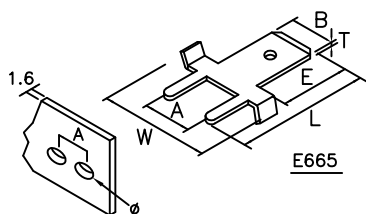


250 TAB SERIES



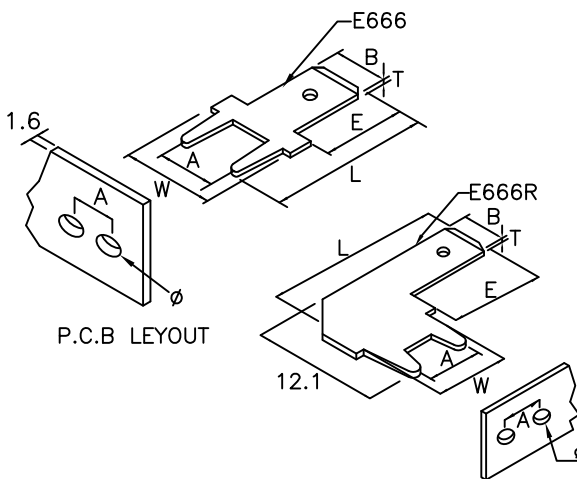
P.C.B LAYOUT

PART/NO.	T	B	W	L	E	A	φ
E663	0.8	6.2	7.6	18.7	12.8	5.08	1.80



P.C.B LAYOUT

PART/NO.	T	B	W	L	E	A	φ
E665	0.8	6.2	11.0	13.3	7.9	5.08	1.80



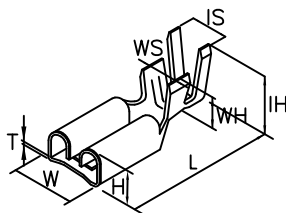
P.C.B LAYOUT

P.C.B LAYOUT

PART/NO.	T	B	W	L	E	A	φ
E666	0.8	6.2	7.6	12.9	8.0	5.08	1.80
E666R	0.8	6.3	8.0	15.9	8.0	5.08	1.80

250 TERMINAL

unit:mm

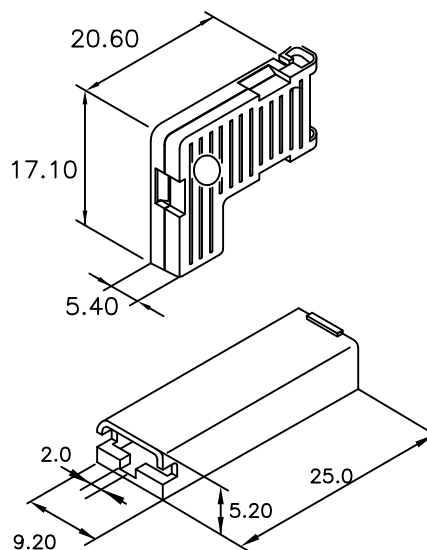
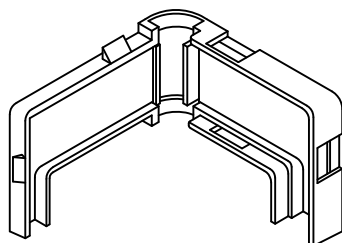


PART/NO.	IS	IH	WS	WH	T	W	L	H	WIRE RANGE	MAT'L	TAB(BXT)
E764	5.6	5.0	3.5	3.4	0.4	7.6	19.0	3.33	AWG#14-18	BRASS TIN PLATED	6.2X0.8
E765	5.8	5.3	3.8	3.7	0.4	7.5	19.0	3.1	AWG#14-18		
E766	7.3	6.6	5.7	4.4	0.4	7.5	19.0	3.2	AWG#12-14		
E767	5.2	4.2	3.3	3.2	0.4	7.5	19.0	3.1	AWG#18-22		

250 FLAG STYLE HOUSINGS

Features;

- * MAT'L: NYLON 66 UL94V-2
- * MATES WITH: 250 SERIES TERMINAL

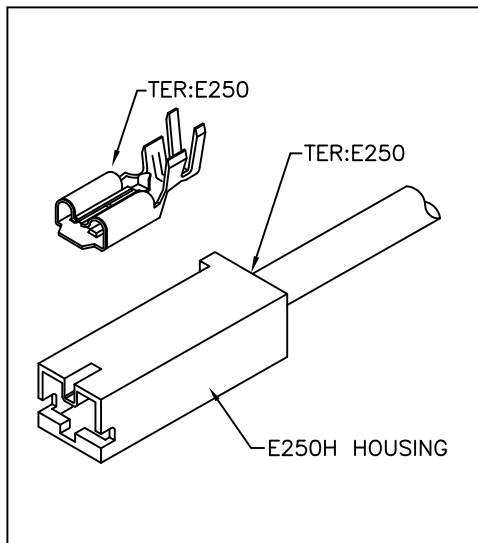


250 HOUSING

Features;

- * MAT'L: NYLON 66 UL94V-2
- * MATES WITH: 250 SERIES TERMINAL

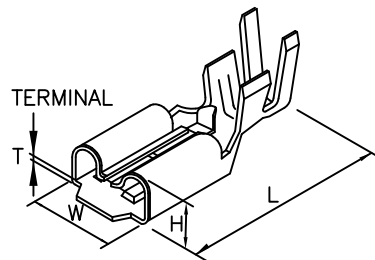
FASION-E250 SERIES



E250

Features;

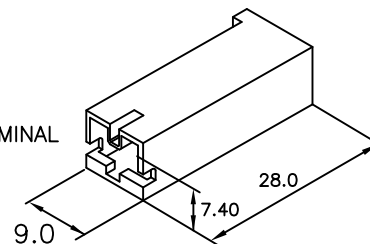
- * MAT'L: BRASS TIN PLATED
- * MATES WITH: E250 SERIES TERMINAL



E250H HOUSINGS

Features;

- * MAT'L: NYLON 66 UL94V-0
- * MATES WITH: E250 SERIES TERMINAL



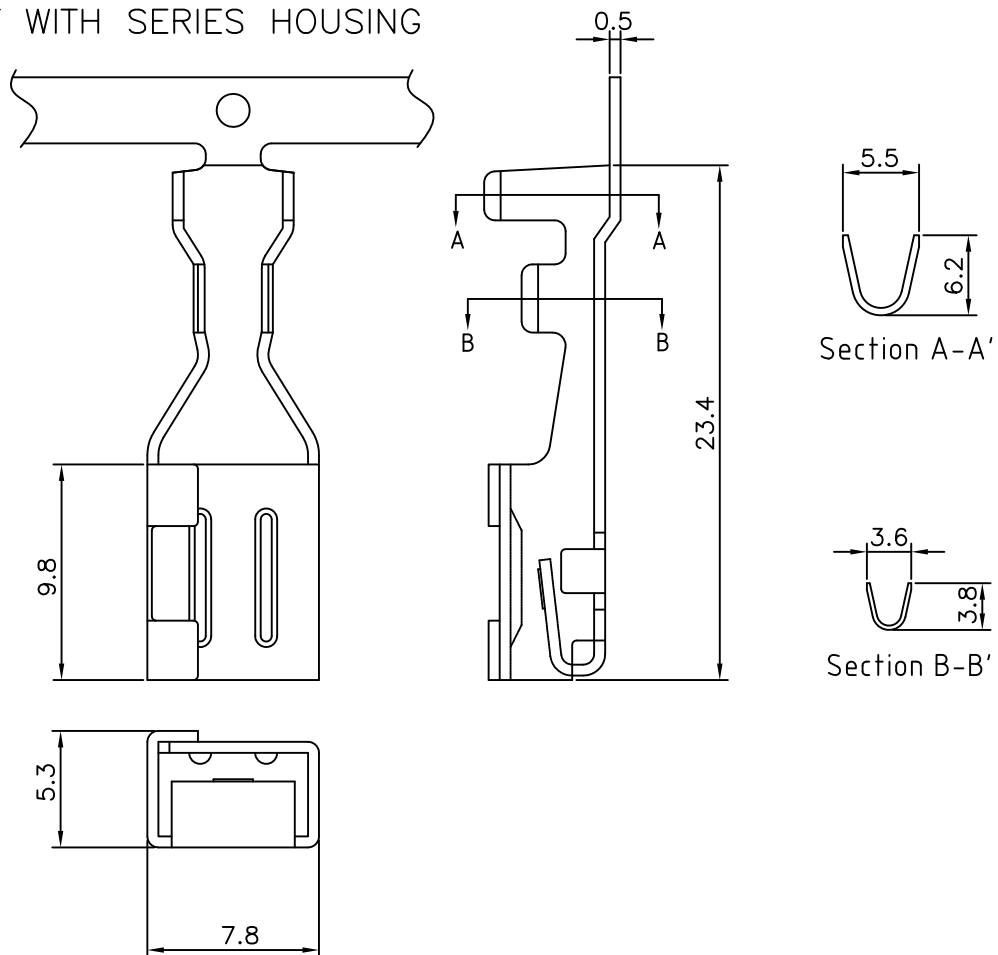
PART/NO.	T	W	L	H	WIRE RANGE	TAB(TXB)
E250	0.4	7.5	20.6	2.9	AWG#14-18	0.8X6.2

E774 SERIES TERMINALS

unit:mm

Features:

- * THICKNESS: 0.5mm
- * MAT'L: BRASS TIN PLATED
- * ACCEPT WITH SERIES HOUSING



PART NO.	WIRE RANGE	INSULATION O.D.	MATERIAL	FINISH	QTY/REEL
E774	#14~#20	ø3.7 MAX	BRASS	Tin-plated	2,000