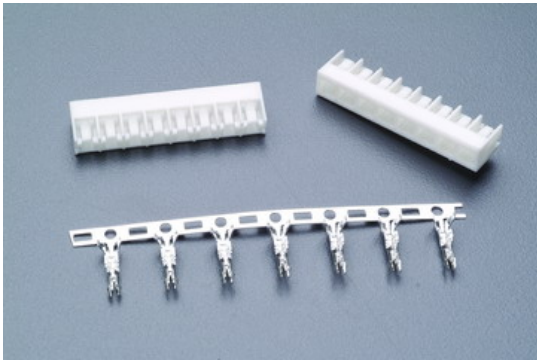


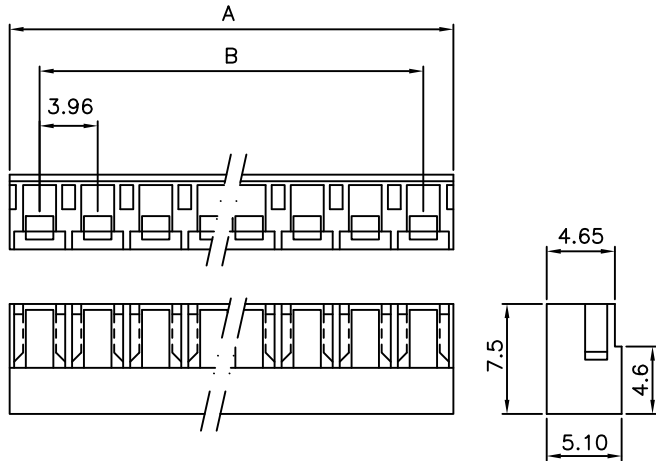
# D181H .156" (3.96mm) PITCH CRIMP HOUSING



## Features:

- \* MAT'L: NYLON 66 UL94V-0
- \* CURRENT RATING: 7A AC DC
- \* VOLTAGE RATING: 250V AC DC
- \* MATES WITH: D181HT SERIES TERMINAL
- \* UL FILE NO: E115256

PART NO.	A	B
D181H-02	8.42	3.96
D181H-03	12.38	7.92
D181H-04	16.34	11.88
D181H-05	20.30	15.84
D181H-06	24.26	19.80
D181H-07	28.22	23.76
D181H-08	32.18	27.72
D181H-09	36.14	31.68
D181H-10	40.10	35.64
D181H-11	44.06	39.60
D181H-12	48.02	43.56
D181H-13	51.98	47.52
D181H-14	55.94	51.48
D181H-15	59.90	55.44

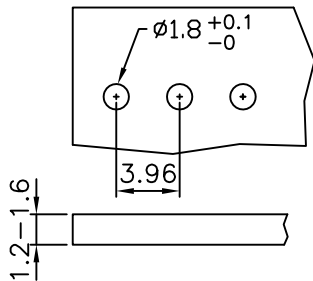


# D181HT .156" (3.96mm) PITCH BOARD-IN CONNECTOR

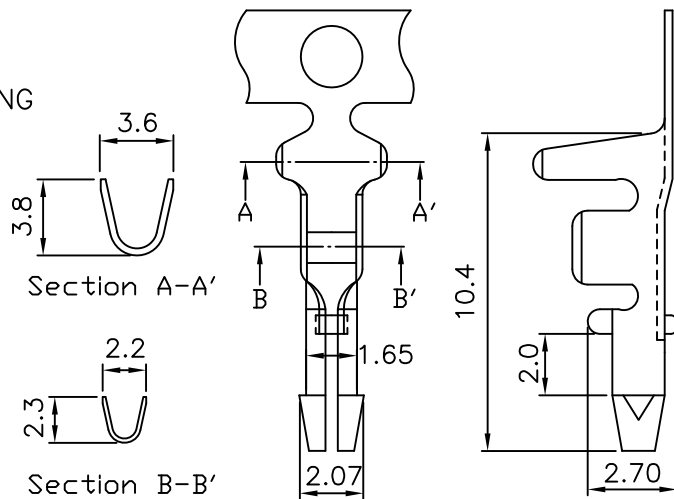
## Features:

- \* THICKNESS: 0.25mm
- \* MAT'L: BRASS TIN PLATED
- \* CURRENT RATING: 7A AC DC
- \* VOLTAGE RATING: 250V AC.DC
- \* MATES WITH: D181H SERIES HOUSING
- \* P.C BOARD DIP IN TERMINAL
- \* P.C BOARD THICKNESS: 1.2-1.6

unit:mm



P.C.BOARD LAYOUT



PART NO.	WIRE RANGE	INSULATION O.D	MATERIAL	FINISH	QTY/REEL
D181HT	AWG#18-#22	2.50mm MAX	BRASS	Tin-plated	7,000