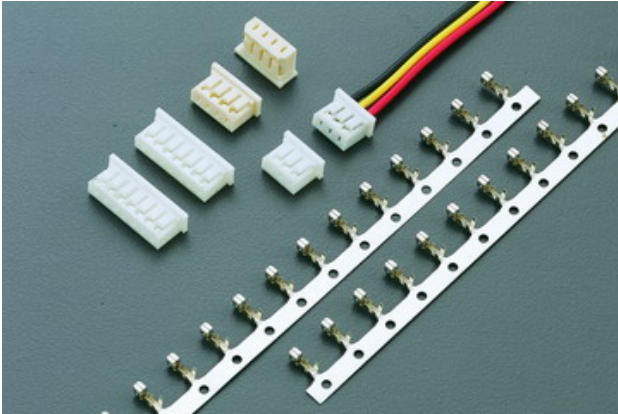


2040H SERIES

.079" (2.0mm) PITCH WIRE TO BOARD CONNECTOR



Specifications

Current rating: 1A AC,DC

Voltage rating: 100V AC,DC

Temperature range: -25°C to $+85^{\circ}\text{C}$
(including temperature rise)

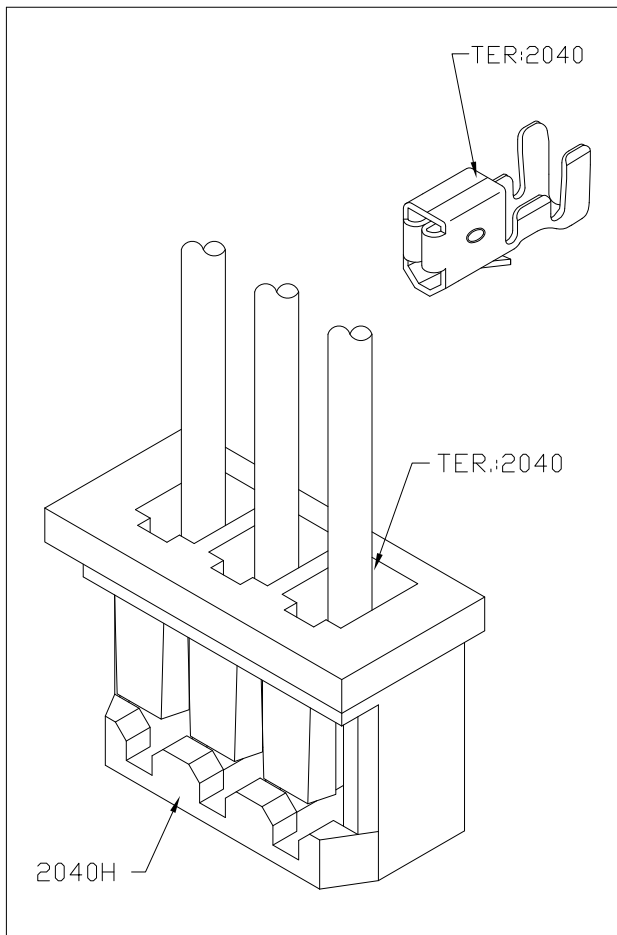
Contact resistance: Initial value/10 $\text{m}\Omega$ Max.

After environmental testing/20 $\text{m}\Omega$ Max.

Insulation resistance: 500 $\text{M}\Omega$ MIN.

Withstanding voltage: 1200V AC/minute

Applicable wire: AWG#26-30



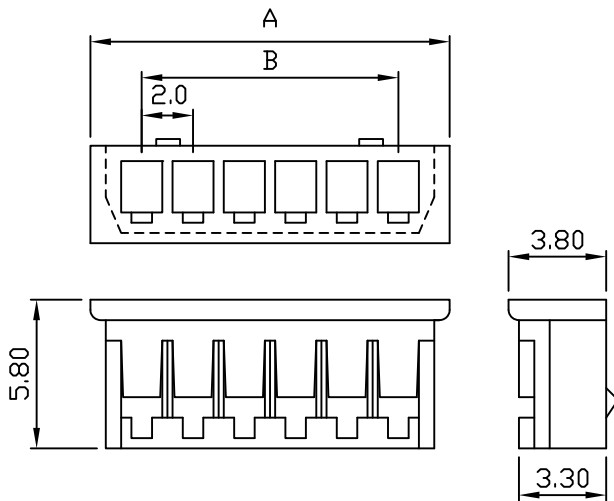
Assembly layout

2040H .079" (2.0mm) PITCH CRIMP HOUSING

Features:

unit:mm

- * MAT'L: NYLON 66 UL94V-2 OR UL94V-0
- * MATES WITH: 2040 SERIES TERMINAL



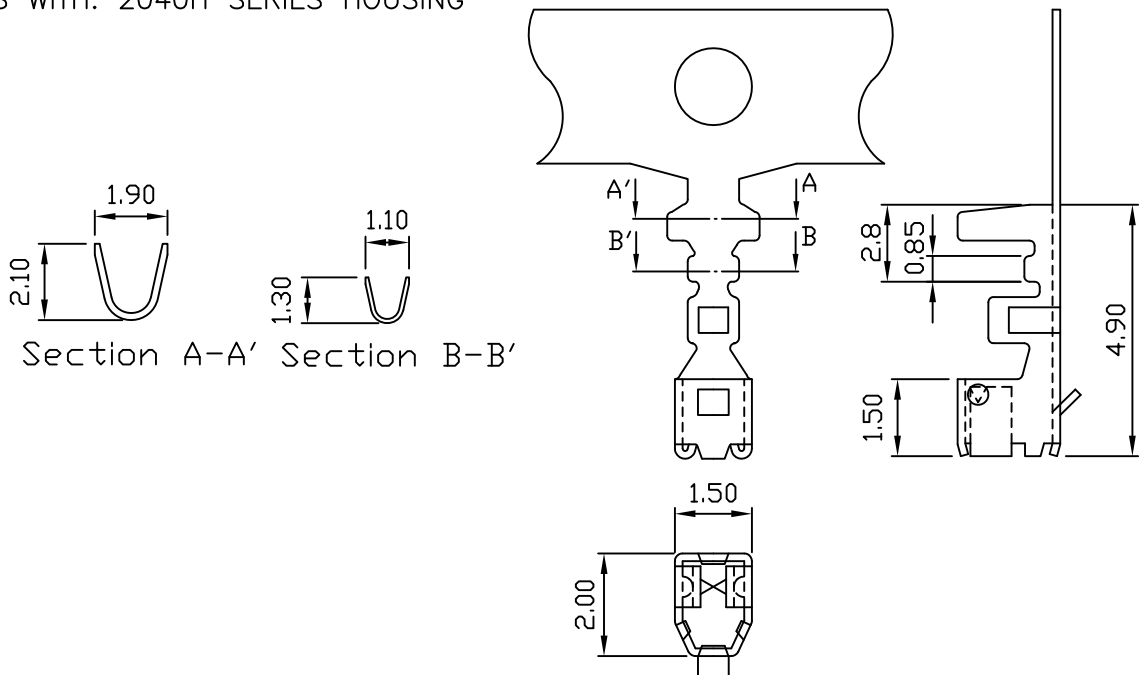
PART/NO.	A	B
2040H-02	6.0	2.0
2040H-03	8.0	4.0
2040H-04	10.0	6.0
2040H-05	12.0	8.0
2040H-06	14.0	10.0
2040H-07	16.0	12.0
2040H-08	18.0	14.0
2040H-09	20.0	16.0
2040H-10	22.0	18.0
2040H-11	24.0	20.0
2040H-12	26.0	22.0
2040H-13	28.0	24.0
2040H-14	30.0	26.0
2040H-15	32.0	28.0

2040 .079" (2.0mm) PITCH CRIMP TERMINAL

Features:

unit:mm

- * THICKNESS: 0.15mm
- * MAT'L: PHOSPHOR BRONZE TIN PLATED
- * MATES WITH: 2040H SERIES HOUSING



PART NO.	WIRE RANGE	INSULATION O.D.	MATERIAL	FINISH	QTY/REEL
2040-P	AWG#26-#30	ø1.4mm max	PHOSPHOR BRONZE	Tin-plated	10,000