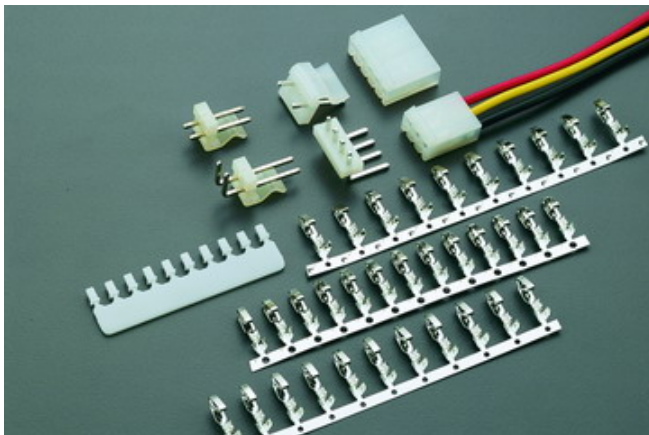


8639 SERIES

.156" (3.96mm) PITCH WIRE TO BOARD CONNECTOR



Specifications

Current rating: 5~7A AC,DC

Voltage rating: 250V AC,DC

Temperature range: -25°C to +85°C
(including temperature rise)

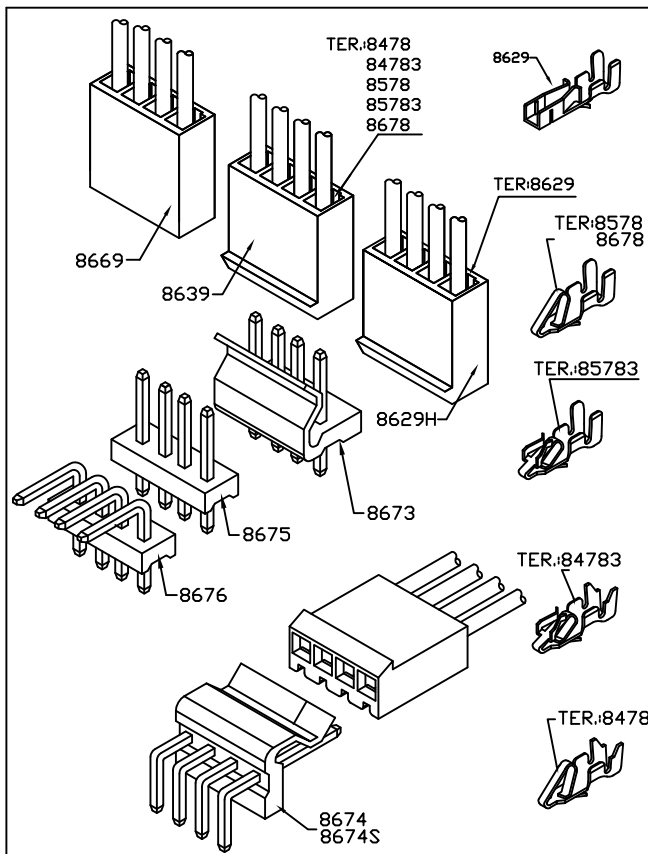
Contact resistance: Initial value/10 mΩ Max.

After environmental testing/20mΩ Max.

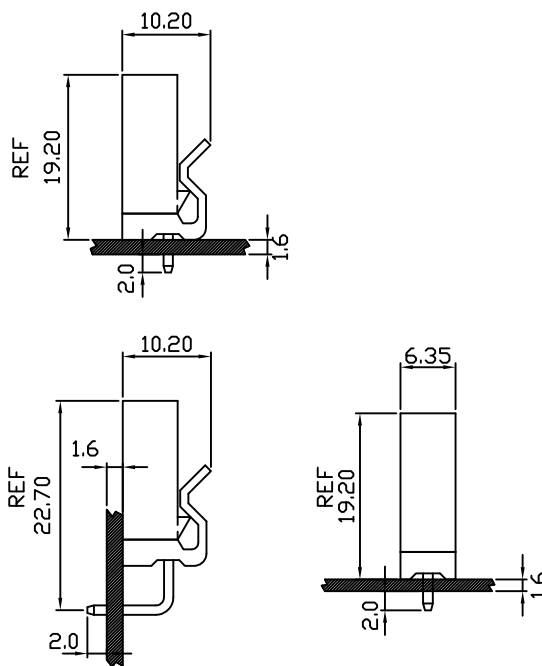
Insulation resistance: 500MΩ MIN.

Withstanding voltage: 1500V AC/minute

Applicable wire: AWG#18-22



Assembly layout



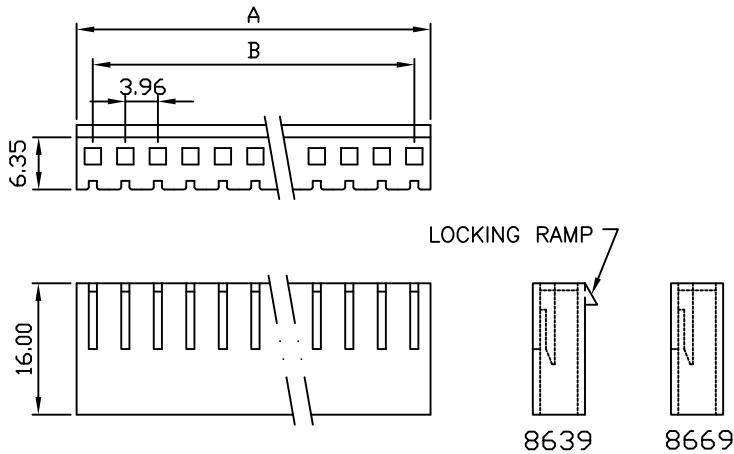
8639 8669

.156" (3.96mm) PITCH CRIMP HOUSING

Features:

unit:mm

- * MAT'L: NYLON 66 UL94V-2
- * MATES WITH: 8478 8578 8678 84783
85783 SERIES TERMINAL
- * ACCEPTS WITH: 8673 8674
SERIES WAFER



WITH LOCKING RAMP	WITH LOCKING RAMP	DIM. A	DIM. B
8639-02	8669-02	8.22	3.96
8639-03	8669-03	12.18	7.92
8639-04	8669-04	16.14	11.88
8639-05	8669-05	20.10	15.84
8639-06	8669-06	24.06	19.80
8639-07	8669-07	28.02	23.76
8639-08	8669-08	31.98	27.72
8639-09	8669-09	35.94	31.68
8639-10	8669-10	39.90	35.64
8639-11	8669-11	43.86	39.60
8639-12	8669-12	47.87	43.56
8639-13	8669-13	51.78	47.52
8639-14	8669-14	55.74	51.48
8639-15	8669-15	59.70	55.44
8639-16	8669-16	63.66	59.40
8639-17	8669-17	67.62	63.36
8639-18	8669-18	71.58	67.32
8639-19	8669-19	75.54	71.28
8639-20	8669-20	79.50	75.24

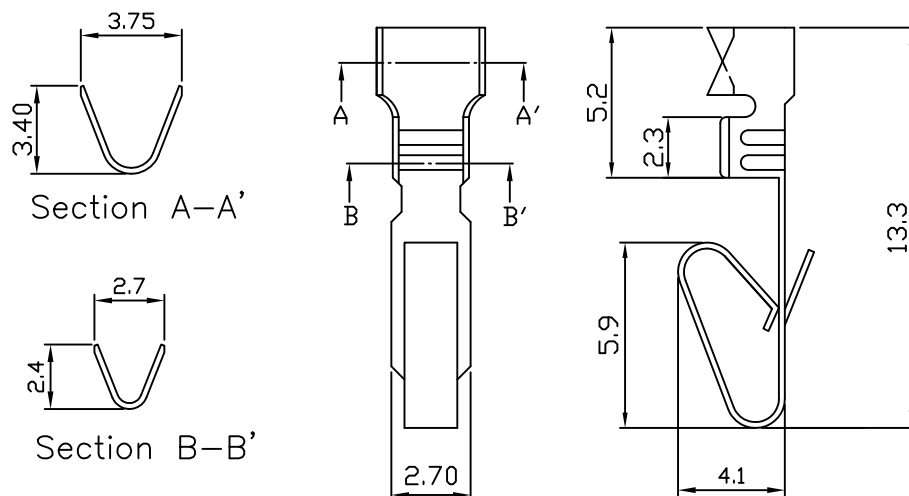
8478

3.96/5.0/5.08 .156" (5.0mm)x .295" (7.5mm) PITCH TERMINAL

unit:mm

Features:

- * THICKNESS: 0.25mm&0.30mm
- * MAT'L: BRASS OR PHOSPHOR BRONZE TIN PLATED
- * MATES WITH: 5000 5080 7500 8639 SERIES HOUSING



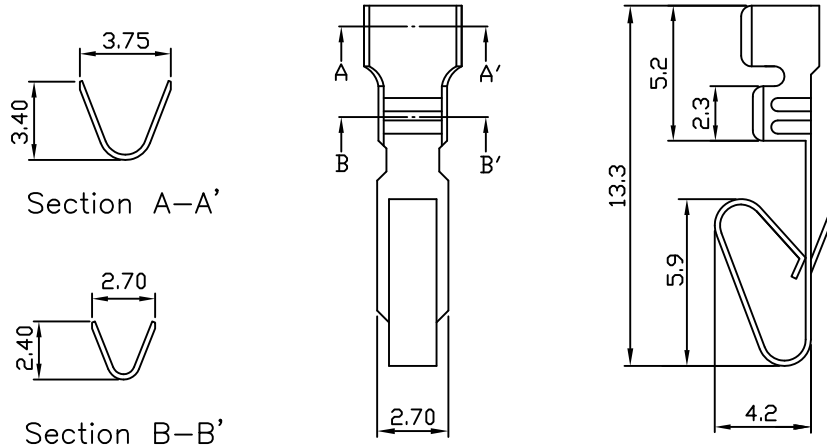
PART NO.	WIRE RANGE	INSULATION O.D.	MATERIAL	FINISH	QTY/REEL
8478	AWG #18-#22	ø2.8mm MAX	Brass	Tin-plated	7,000
8478-P	AWG #18-#22	ø2.8mm MAX	Phosphor brass	Tin-plated	7,000

8578 .156" (3.96mm) PITCH CRIMP TERMINAL

Features:

unit:mm

- * THICKNESS: 0.25mm & 0.30mm
- * MAT'L: BRASS & PHOSPHOR BRONZE TIN PLATED
- * MATES WITH: 8639 8669 SERIES HOUSING
- * ACCEPTS WITH: 1.14mm (.045") SQUARE PIN



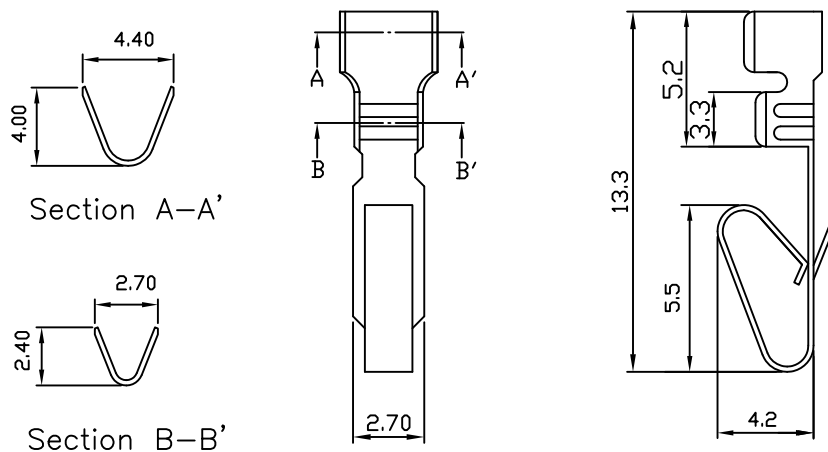
PART NO.	WIRE RANGE	INSULATION O.D.	MATERIAL	FINISH	QTY/REEL
8578	AWG #16-#20	ø2.8mm max	BRASS/PHOSPHOR BRONZE	Tin-plated	6,000

8678 .156" (3.96mm) PITCH CRIMP TERMINAL

Features:

unit:mm

- * THICKNESS: 0.25mm & 0.30mm
- * MAT'L: BRASS & PHOSPHOR BRONZE TIN PLATED
- * MATES WITH: 8639 8669 SERIES HOUSING
- * ACCEPTS WITH: 1.14mm (.045") SQUARE PIN



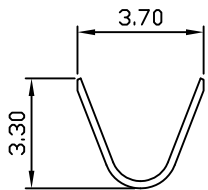
PART NO.	WIRE RANGE	INSULATION O.D.	MATERIAL	FINISH	QTY/REEL
8678	AWG #14-#16	ø3.2mm max	BRASS/PHOSPHOR BRONZE	Tin-plated	5,000

84783 .156" (3.96mm) PITCH CRIMP TERMINAL

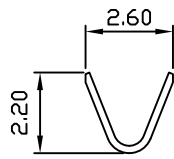
unit:mm

Features:

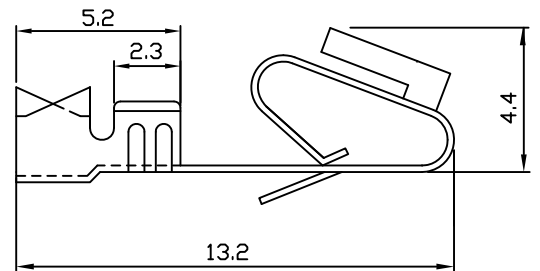
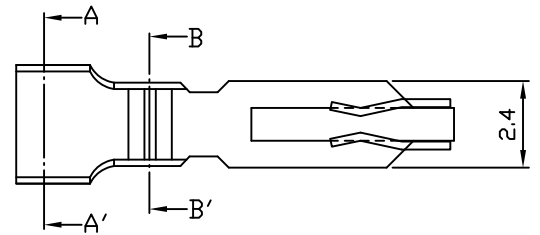
- * THICKNESS: 0.25mm
- * MAT'L: BRASS TIN PLATED
- * MATES WITH: 8639 8669 SERIES HOUSING
- * ACCEPTS WITH: 8673 8674 SERIES WAFER
- * ACCEPTS WITH: 1.14mm (.045") SQUARE PIN



Section A-A'



Section B-B'



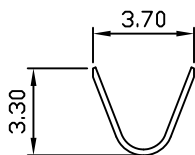
PART NO.	WIRE RANGE	INSULATION O.D.	MATERIAL	FINISH	QTY/REEL
84783	AWG#18-#22	ø1.5~ø2.8	BRASS	Tin-plated	6,000

85783 .156" (3.96mm) PITCH CRIMP TERMINAL

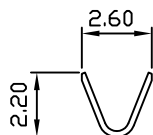
unit:mm

Features:

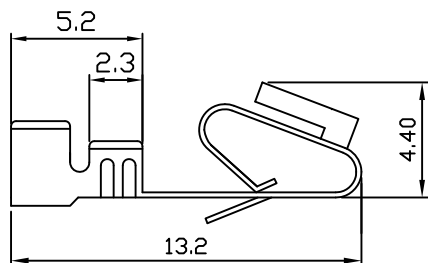
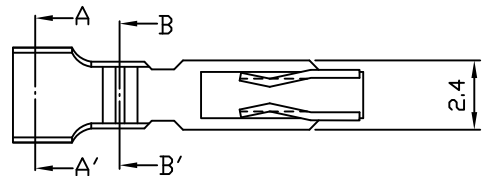
- * THICKNESS: 0.25mm & 0.30mm
- * MAT'L: BRASS & PHOSPHOR BRONZE TIN PLATED
- * ACCEPTS WITH: 8639 8669 SERIES HOUSING
- * ACCEPTS WITH: 8673 8674 SERIES WAFER
- * ACCEPTS WITH: 1.14mm (.045") SQUARE PIN



Section A-A'



Section B-B'



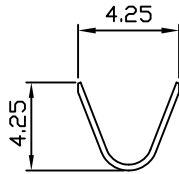
PART NO.	WIRE RANGE	INSULATION O.D.	MATERIAL	FINISH	QTY/REEL
85783	AWG#18-#22	ø2.8mm max	Brass	Tin-plated	6,000
85783-P	AWG#18-#22	ø2.8mm max	Phosphor bronze	Tin-plated	6,000

8629 .156" (3.96mm) PITCH CRIMP TERMINAL

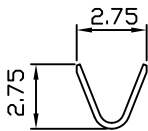
Features:

unit:mm

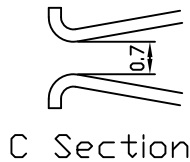
- * THICKNESS: 0.25mm
- * MAT'L: BRASS TIN PLATED
- * MATES WITH: 8629H SERIES HOUSING
- * ACCEPTS WITH: 8673 8674 SERIES WAFER



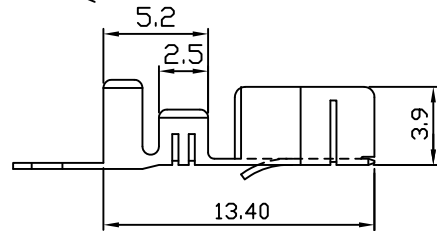
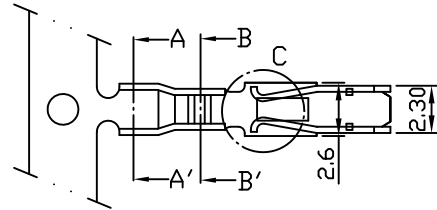
Section A-A'



Section B-B'



C Section



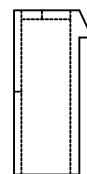
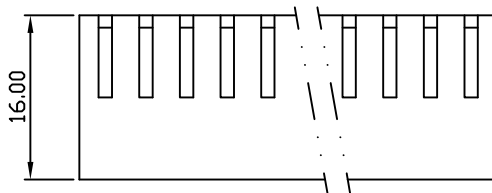
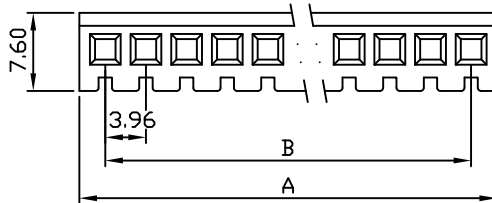
PART NO.	WIRE RANGE	INSULATION O.D.	MATERIAL	FINISH	QTY/REEL
8629	AWG#16-#22	φ3.0~φ1.8mm	BRASS	Tin-plated	5,000

8629H .156" (3.96mm) PITCH CRIMP HOUSING

Features:

unit:mm

- * MAT'L: NYLON 66 UL 94V-2
- * MATES WITH: 8629 SERIES TERMINAL
- * ACCEPTS WITH: 8673 8674 SERIES WAFER



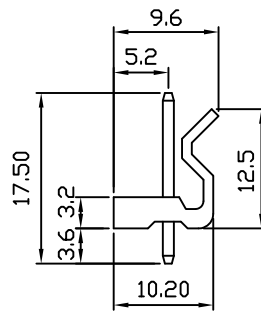
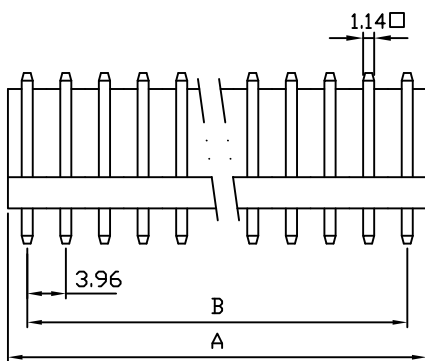
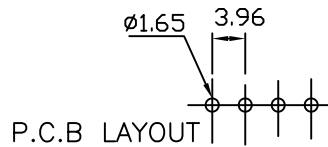
PART NO	DIM. A	DIM. B
8629H-02	8.22	3.96
8629H-03	12.18	7.92
8629H-04	16.14	11.88
8629H-05	20.10	15.84
8629H-06	24.06	19.80
8629H-07	28.02	23.76
8629H-08	31.98	27.72
8629H-09	35.94	31.68
8629H-10	39.90	35.64
8629H-11	43.86	39.60
8629H-12	47.87	43.56
8629H-13	51.78	47.52
8629H-14	55.74	51.48
8629H-15	59.70	55.44
8629H-16	63.66	59.40
8629H-17	67.62	63.36
8629H-18	71.58	67.32
8629H-19	75.54	71.28
8629H-20	79.50	75.24

8673 .156" (3.96mm) PITCH Headers—Straight

Features:

unit:mm

- * MAT'L: BODY: NYLON 66 UL 94V-2
PINS: BRASS TIN PLATED
- * MATES WITH: 8478 8578 8678 84783 85783
SERIES TERMINAL
- * ACCEPTS WITH: 8639 8669 SERIES HOUSING



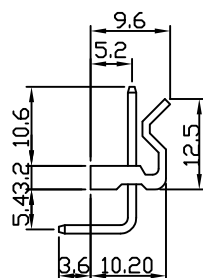
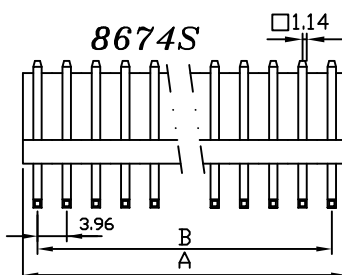
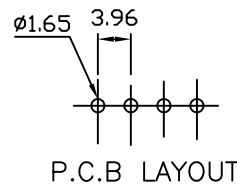
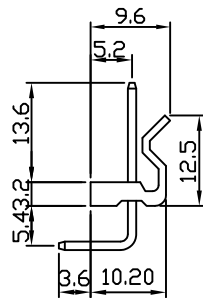
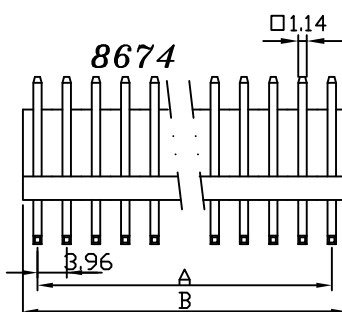
PART NO.	A	B
8673-02	7.92	3.96
8673-03	11.88	7.92
8673-04	15.84	11.88
8673-05	19.80	15.84
8673-06	23.76	19.80
8673-07	27.72	23.76
8673-08	31.68	27.72
8673-09	35.64	31.68
8673-10	39.60	35.64
8673-11	43.56	39.60
8673-12	47.52	43.56
8673-13	51.48	47.52
8673-14	55.44	51.48
8673-15	59.40	55.44
8673-16	63.36	59.40
8673-17	67.32	63.36
8673-18	71.28	67.32
8673-19	75.24	71.28
8673-20	79.20	75.24

8674 8674S .156" (3.96mm) PITCH Headers—Right Angle

Features:

unit:mm

- * MAT'L: BODY: NYLON 66 UL 94V-2
PINS: BRASS TIN PLATED
- * MATES WITH: 8478 8578 8678 84783 85783
SERIES TERMINAL
- * ACCEPTS WITH: 8639 8669 SERIES HOUSING



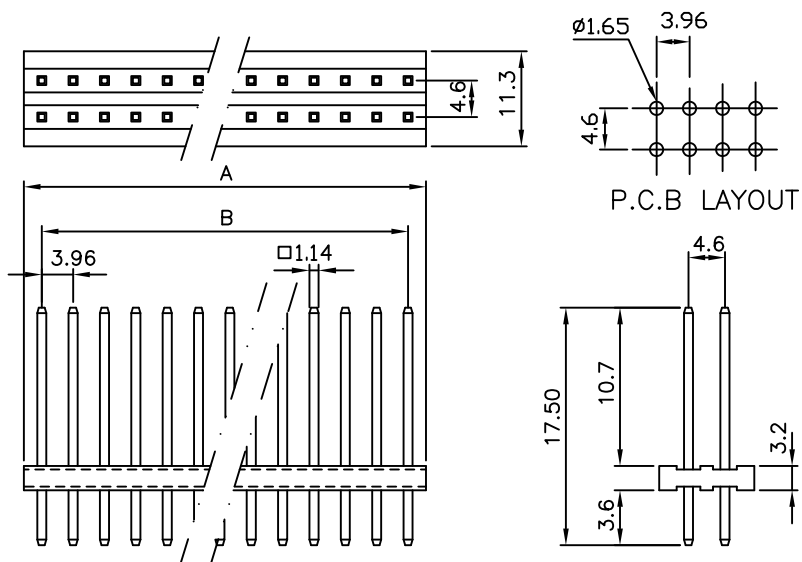
PART NO.	A	B
8674-02	7.92	3.96
8674-03	11.88	7.92
8674-04	15.84	11.88
8674-05	19.80	15.84
8674-06	23.76	19.80
8674-07	27.72	23.76
8674-08	31.68	27.72
8674-09	35.64	31.68
8674-10	39.60	35.64
8674-11	43.56	39.60
8674-12	47.52	43.56
8674-13	51.48	47.52
8674-14	55.44	51.48
8674-15	59.40	55.44
8674-16	63.36	59.40
8674-17	67.32	63.36
8674-18	71.28	67.32
8674-19	75.24	71.28
8674-20	79.20	75.24

8675X2 (Dual Row) .156" (3.96mm) PITCH Headers—Straight

unit:mm

Features:

- * MAT'L: BODY: NYLON 66 UL 94V-2
PINS: BRASS TIN PLATED



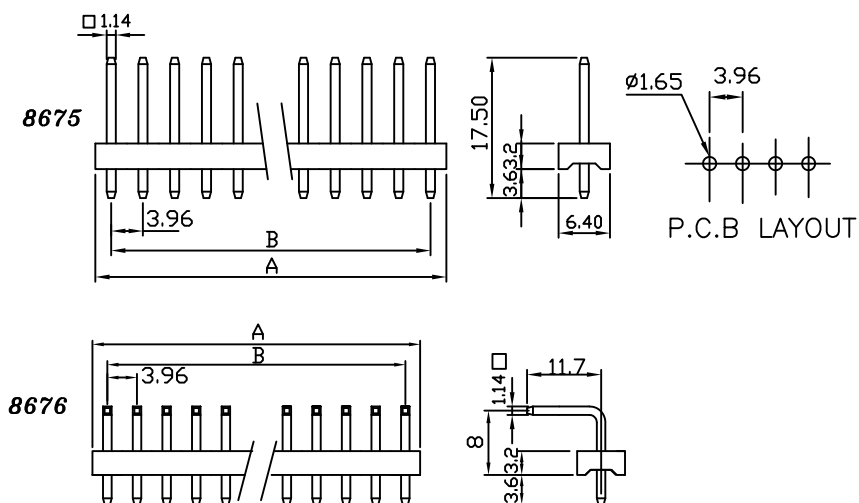
PART NO.	A	B
8675X2-02	7.92	3.96
8675X2-03	11.88	7.92
8675X2-04	15.84	11.88
8675X2-05	19.80	15.84
8675X2-06	23.76	19.80
8675X2-07	27.72	23.76
8675X2-08	31.68	27.72
8675X2-09	35.64	31.68
8675X2-10	39.60	35.64
8675X2-11	43.56	39.60
8675X2-12	47.52	43.56
8675X2-13	51.48	47.52
8675X2-14	55.44	51.48
8675X2-15	59.40	55.44
8675X2-16	63.36	59.40
8675X2-17	67.32	63.36
8675X2-18	71.28	67.32
8675X2-19	75.24	71.28
8675X2-20	79.20	75.24

8675 8676 .156" (3.96mm) PITCH Headers—Straight

unit:mm

Features:

- * MAT'L: BODY: NYLON 66 UL 94V-2
PINS: BRASS TIN PLATED
- * MATES WITH: 8478 8578 8678 84783 85783
SERIES TERMINAL
- * ACCEPTS WITH: 8639 8669 SERIES HOUSING



PART NO.	A	B
8675 8676-02	7.92	3.96
8675 8676-03	11.88	7.92
8675 8676-04	15.84	11.88
8675 8676-05	19.80	15.84
8675 8676-06	23.76	19.80
8675 8676-07	27.72	23.76
8675 8676-08	31.68	27.72
8675 8676-09	35.64	31.68
8675 8676-10	39.60	35.64
8675 8676-11	43.56	39.60
8675 8676-12	47.52	43.56
8675 8676-13	51.48	47.52
8675 8676-14	55.44	51.48
8675 8676-15	59.40	55.44
8675 8676-16	63.36	59.40
8675 8676-17	67.32	63.36
8675 8676-18	71.28	67.32
8675 8676-19	75.24	71.28
8675 8676-20	79.20	75.24