

4001MH SERIES

.157" (3.5mm) WIRE TO WIRE CONNECTOR



Specifications

Current rating: 3A AC,DC

Voltage rating: 250V AC,DC

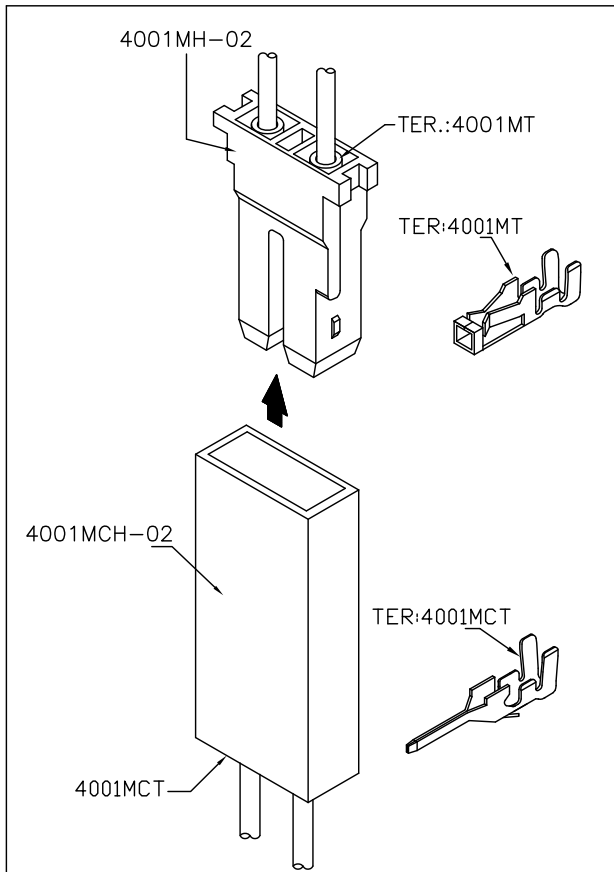
Temperature range: -25°C to $+85^{\circ}\text{C}$
(including temperature rise)

Contact resistance: Initial value/10 $\text{m}\Omega$ Max.
After environmental testing/20 $\text{m}\Omega$ Max.

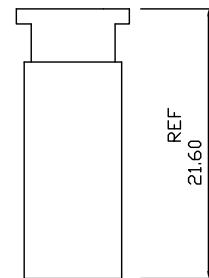
Insulation resistance: 500 $\text{M}\Omega$ MIN.

Withstanding voltage: 1500V AC/minute

Applicable wire: AWG#22-24



Assembly layout



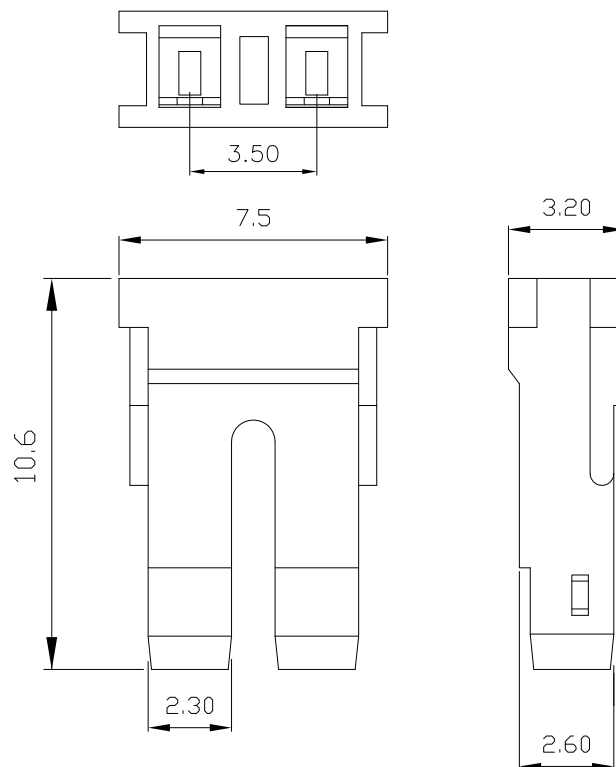
WIRE TO WIRE TYPE

4001MH-02 .157" (3.5mm) PITCH HOUSING

unit:mm

Features:

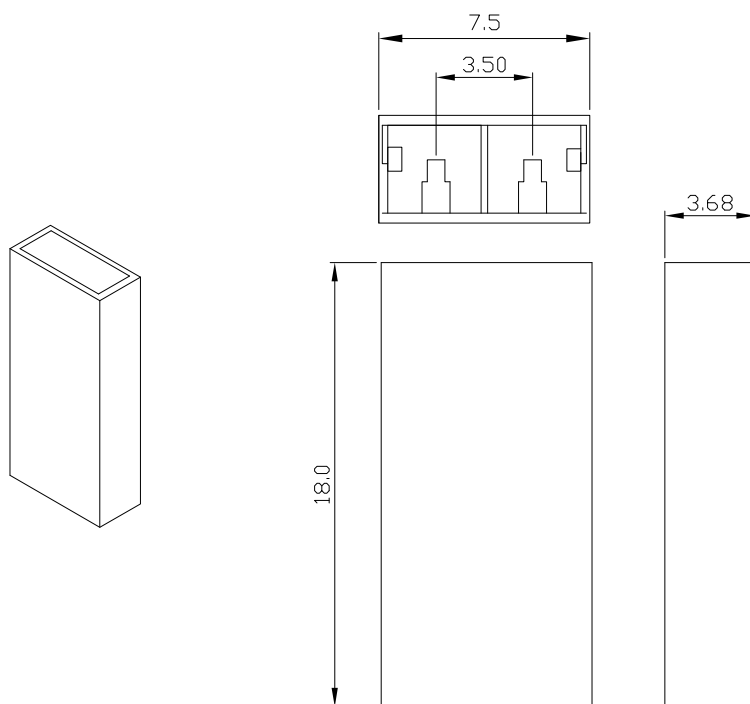
- * MAT'L: NYLON 66 UL94V-0
- * MATES WITH: 4001MT SERIES TERMINAL
- * MATES WITH: 4001MCH SERIES HOUSING



4001MCH-02 .157" (3.5mm) PITCH HOUSING

Features:

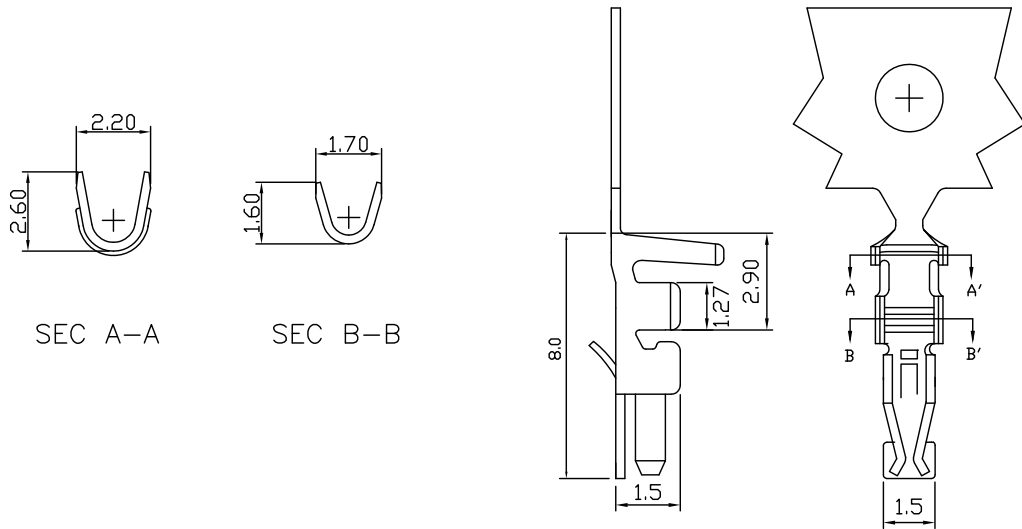
- * MAT'L: NYLON 66 UL94V-0
- * MATES WITH: 4001CT SERIES TERMINAL
- * MATES WITH: 4001MH SERIES HOUSING



4001MT .157" (2.0mm) PITCH CRIMP TERMINAL

Features:

- * THICKNESS: 0.2mm
- * MAT'L: PHOSPHOR BRONZE TIN PLATED
- * MATES WITH: 4001MH SERIES HOUSING
- * ACCEPTS WITH: 4001CT SERIES TERMINAL



PART/NO.	WIRE RANGE	INSULATION O.D	MATERIAL	FINISH	QTY/REEL
4001MT	AWG#24-28	1.70mm(max)	PHOSPHOR BRONZE	Tin-plated	10,000