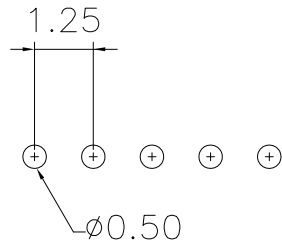
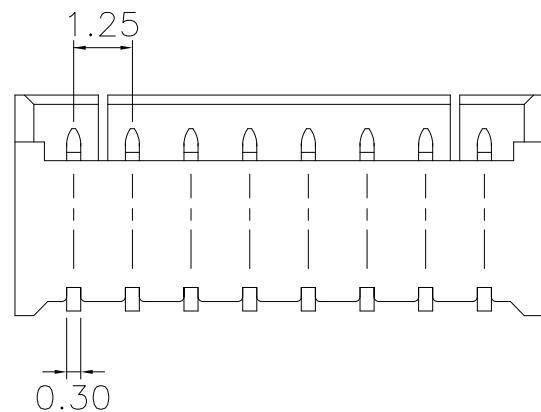
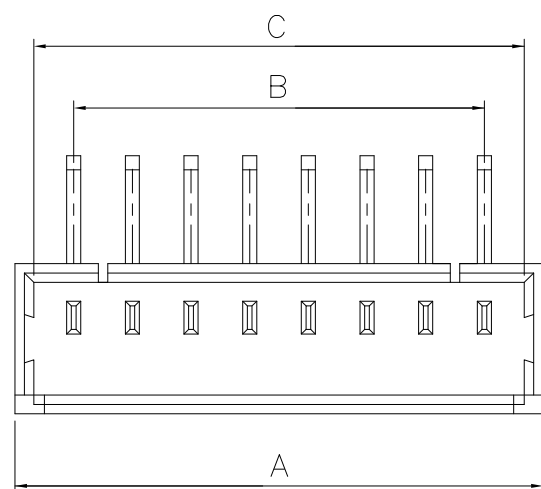


M125PR .049" (1.25mm) PITCH Headers—Right Angle

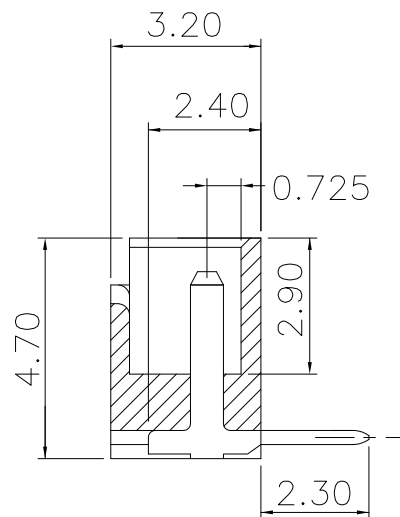
unit:mm

Features:

- * MAT'L: BODY: NYLON 6T UL 94V-0
PINS: BRASS TIN PLATED
- * MATES: M125H SERIES HOUSING
- * ACCEPTS WITH: M125 SERIES TERMINAL



Recommended P.C.B.
hole layout



PART NO.	Dim A	Dim B	Dim C
M125PR-02	4.25	1.25	3.05
M125PR-03	5.50	2.50	4.30
M125PR-04	6.75	3.75	5.55
M125PR-05	8.00	5.00	6.80
M125PR-06	9.25	6.25	8.05
M125PR-07	10.50	7.50	9.30
M125PR-08	11.75	8.75	10.55
M125PR-09	13.00	10.00	11.80
M125PR-10	14.25	11.25	13.05
M125PR-11	15.50	12.50	14.30
M125PR-12	16.75	13.75	15.55
M125PR-13	18.00	15.00	16.80
M125PR-14	19.25	16.25	18.05
M125PR-15	20.50	17.50	19.30