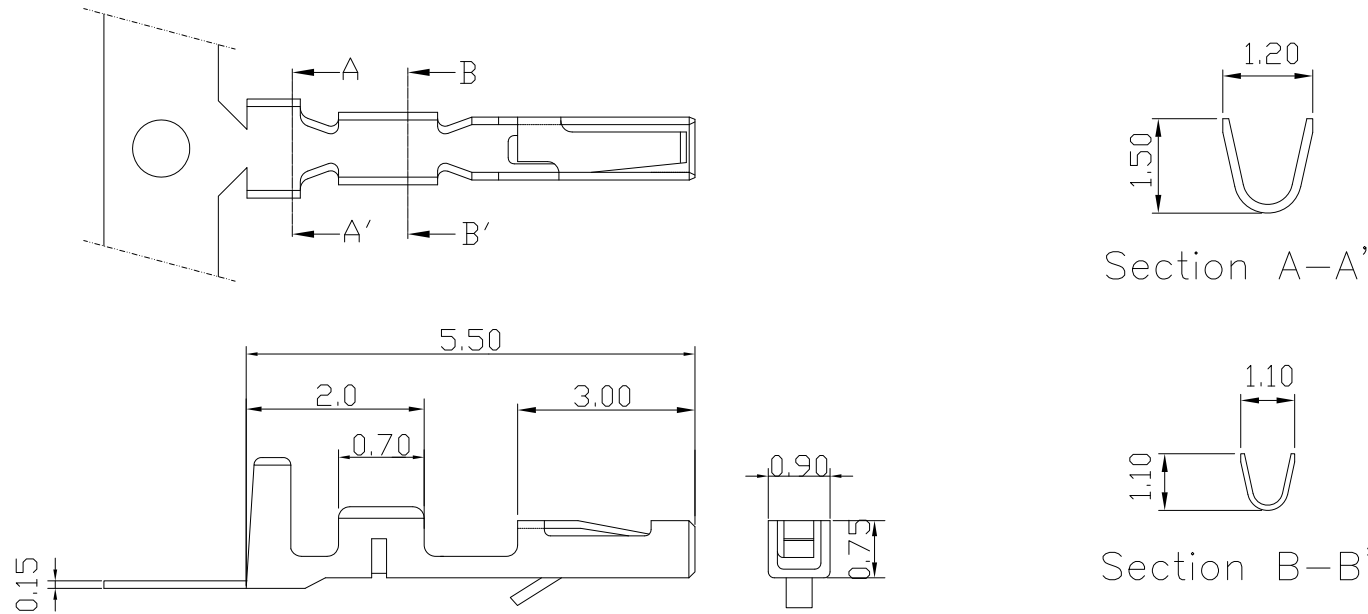


M125AT-00 .049" (1.25mm) PITCH TERMINAL

unit:mm

Features:

- * THICKNESS: 0.2mm
- * MATES WITH: M125AH SERIES HOUSING
- * ACCEPTS WITH: M125APS SERIES WAFER



PART NO.	WIRE RANGE	INSULATION O.D.	MATERIAL	FINISH	QTY/REEL
M125AT-00	AWG#28-30	ø0.9mm MAX	PHOSPHOR BRONZE	gold-plated	15,000