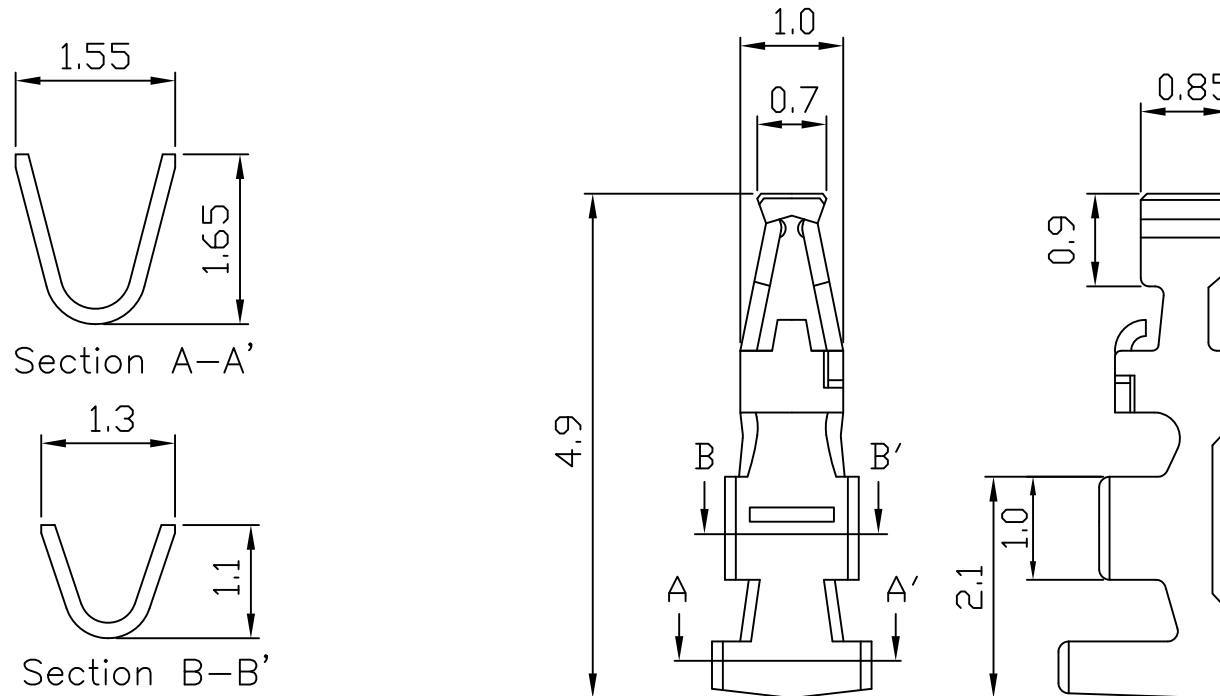


H14 .049" (1.25mm) CRIMP TERMINAL

unit:mm

Features:

- * THICKNESS: 0.15 mm
- * ACCEPTS H14H SERIES HOUSING
- * MATES WITH: H14PR SERIES WAFER



PART NO.	WIRE RANGE	INSULATION O.D.	MATERIAL	FINISH	QTY/REEL
H14	AWG#30-32	∅0.54~∅1.0mm	BRASS	Tin-plated	10.000
H14-P	AWG#30-32	∅0.54~∅1.0mm	PHOSPHOR BRONZE	Tin-plated	10.000