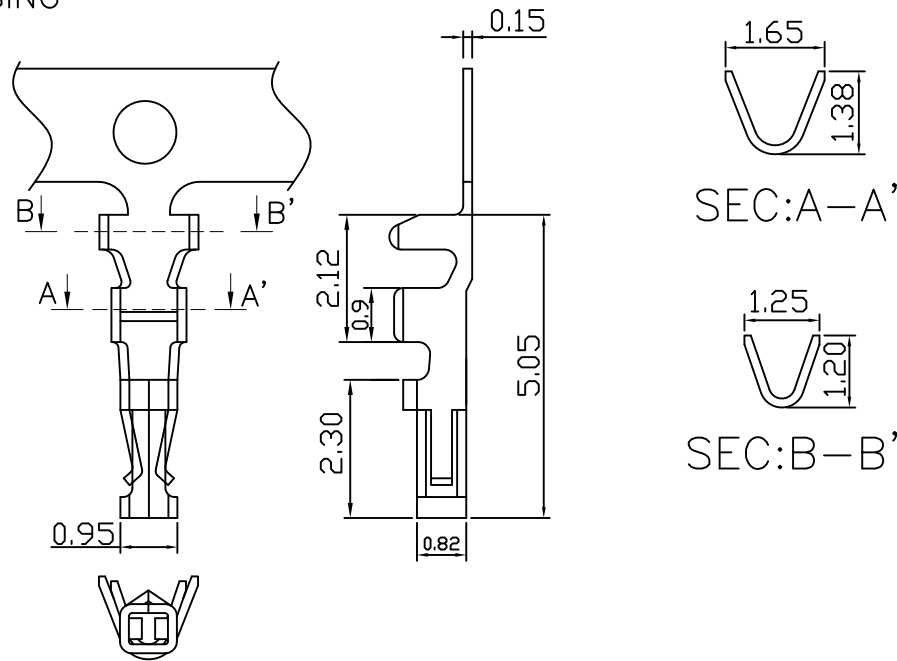


# F001 .049" (1.25mm) SERIES TERMINAL

Features:

unit:mm

- \* THICKNESS: 0.15mm
- \* MAT'L: PHOSPHOR BRONZE TIN PLATED
- \* MATES WITH: FI-H SERIES HOUSING



PART NO.	WIRE RANGE	INSULATION O.D.	MATERIAL	FINISH	QTY/REEL
F001T	AWG#28-32	0.9mm MAX	phosphor bronze	Gold plated	15,000