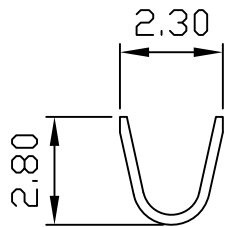


# 2012P .079" (2.0mm) PITCH CRIMP TERMINAL

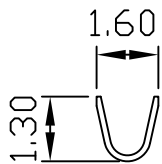
unit:mm

## Features:

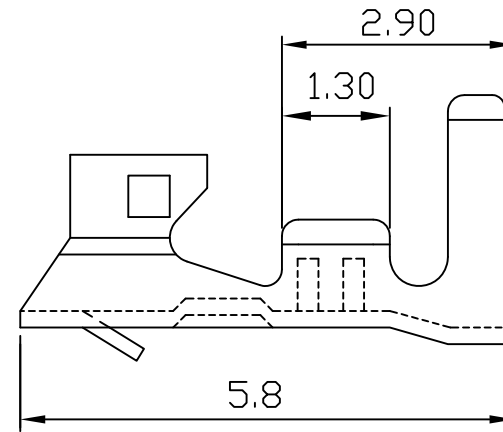
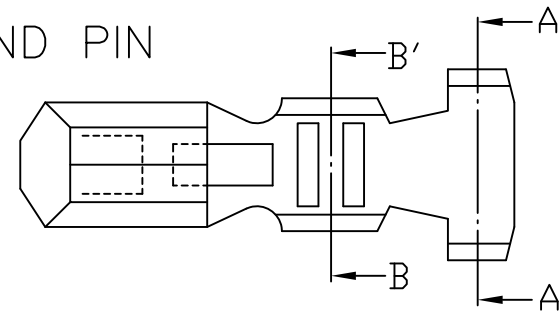
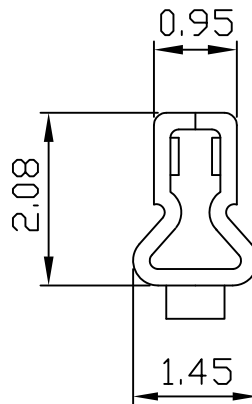
- \* THICKNESS: 0.20mm
- \* MATES WITH: 2020 SERIES HOUSING
- \* ACCEPTS WITH: 2021 & 2022 SERIES WAFER
- \* ACCEPTS: 0.5mm(.02") SQUARE OR ROUND PIN



Section A-A'



Section B-B'



PART NO.	WIRE RANGE	INSULATION O.D.	MATERIAL	FINISH	QTY/REEL
2012-P	AWG#24-30	ø1.4mm MAX	PHOSPHOR BRONZE	Tin-plated	10,000