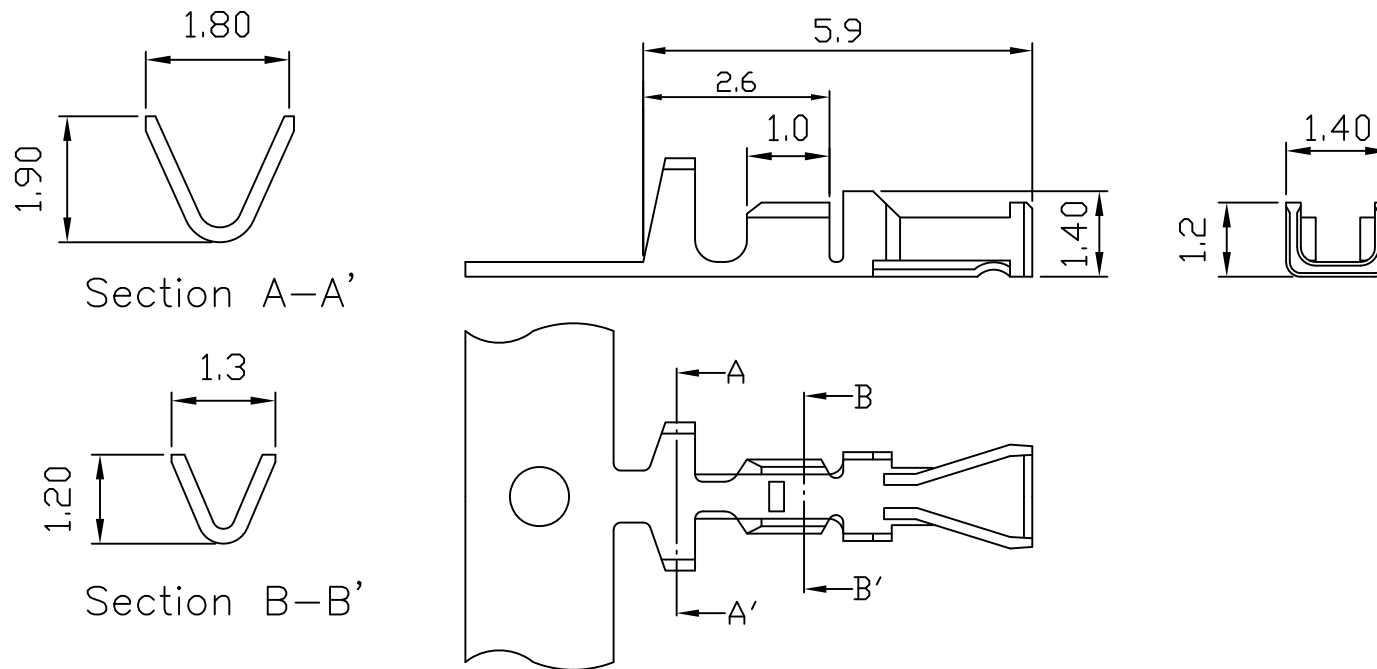


# 2014 .079" (2.0mm) PITCH CRIMP TERMINAL

Features:

unit:mm

- \* THICKNESS: 0.2mm
- \* MAT'L: PHOSPHOR BRONZE WITH TIN NICKEL, LEAD OR GOLD PLATING
- \* MATES WITH: 2031H & 2032H SERIES HOUSING
- \* ACCEPTS PIN SIZE:0.5mm (.02") ROUND OR SQUARE PIN
- \* ACCEPTS WITH: 2001PS, 2002PS 2003PR, 2004PR SERIES WAFER



PART NO.	WIRE RANGE	INSULATION O.D.	MATERIAL	FINISH	QTY/REEL
2014-P	AWG#26-#28	ø1.35mm MAX	PHOSPHOR BRONZE	Tin-plated	20,000