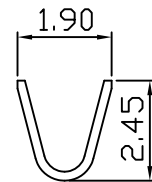


# 2221 .079" (2.0mm) PITCH TERMINAL

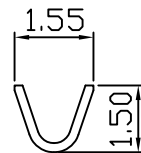
unit:mm

Features:

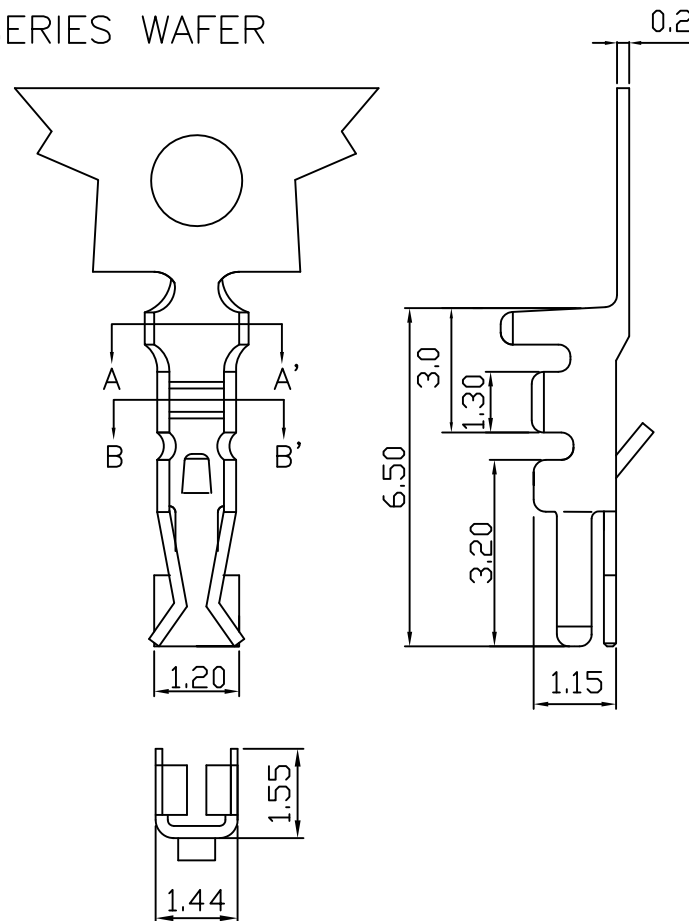
- \* THICKNESS: 0.20mm
- \* MATES WITH: 2220 SERIES HOUSING
- \* ACCEPTS WITH: 2222PS 2222PR SERIES WAFER



Section A-A'



Section B-B'



Part No	Wire Range	Insulation O.D.	Material	Finish	Qty/reel
2221	AWG#24-28	1.60mm(max)	Phosphor Bronze	Tin-plated	10,000