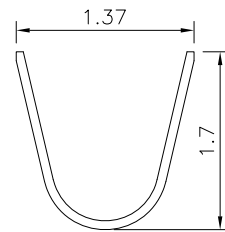


M125CT .049" (1.25mm) PITCH TERMINAL

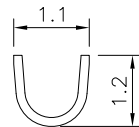
unit:mm

Features:

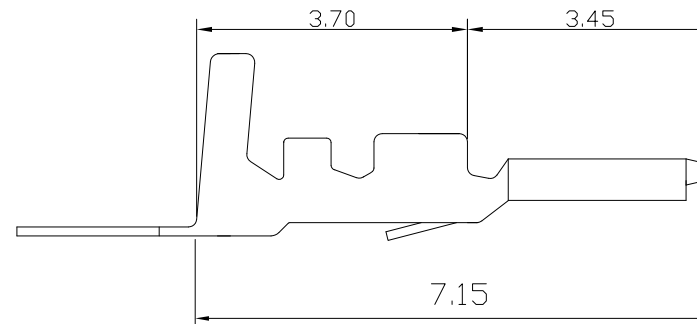
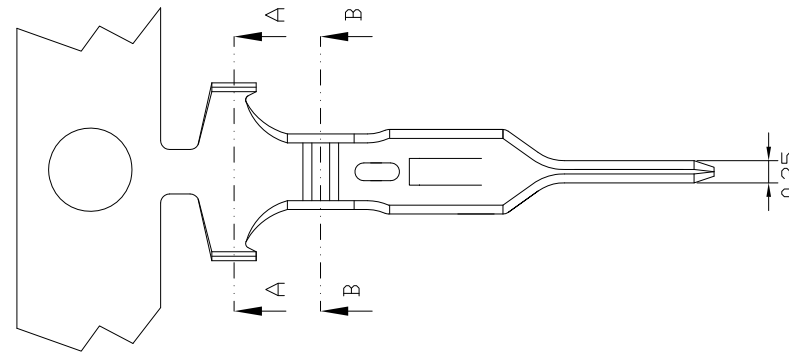
- * THICKNESS: 0.2mm
- * MAT'L: PHOSPHOR BRONZE TIN PLATED
- * MATES WITH: M125CH SERIES HOUSING



SEC A-A



SEC B-B



PART NO.	WIRE RANGE	INSULATION O.D.	MATERIAL	FINISH	QTY/REEL
M125CT	AWG#28-26	ø0.9mm MAX	PHOSPHOR BRONZE	Tin-plated	15,000