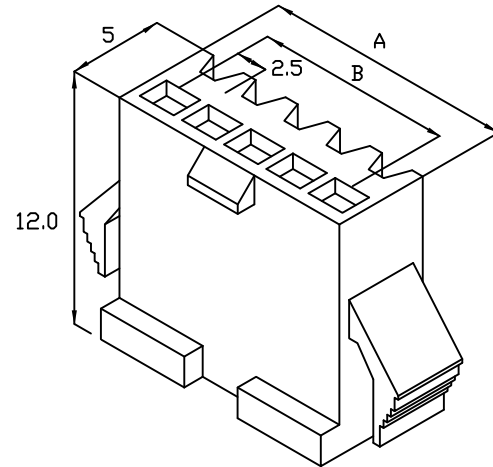


# 2501CH .098" (2.5mm) PITCH HOUSING

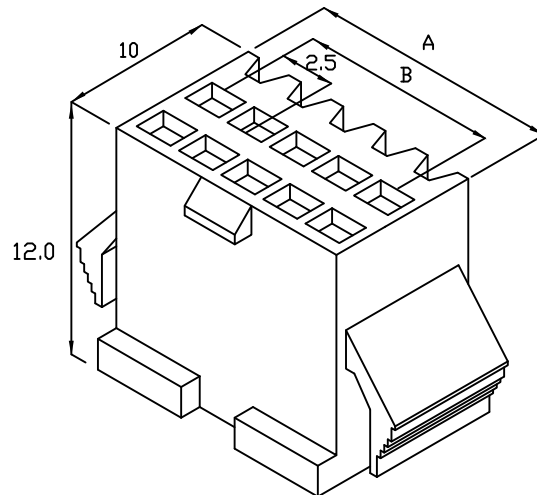
Features:

unit:mm

- \* MAT'L: NYLON 66 UL 94V-2
- \* MATES WITH: 2501 SERIES TERMINAL
- \* ACCEPTS WITH: 2601CH SERIES HOUSING



PART NO.	A	B
2501CH-02	5.5	2.5
2501CH-03	8.0	5.0
2501CH-04	10.5	7.5
2501CH-05	13.0	10.0
2501CH-06	15.5	12.5
2501CH-07	18.0	15.0
2501CH-08	20.5	17.5
2501CH-09	23.0	20.0
2501CH-10	25.5	22.5



PART NO.	A	B
2501CH-04(2X2)	5.5	2.5
2501CH-06(2X3)	8.0	5.0
2501CH-08(2X4)	10.5	7.5
2501CH-10(2X5)	13.0	10.0
2501CH-12(2X6)	15.5	12.5
2501CH-14(2X7)	18.0	15.0
2501CH-16(2X8)	20.5	17.5
2501CH-18(2X9)	23.0	20.0
2501CH-20(2X10)	25.5	22.5