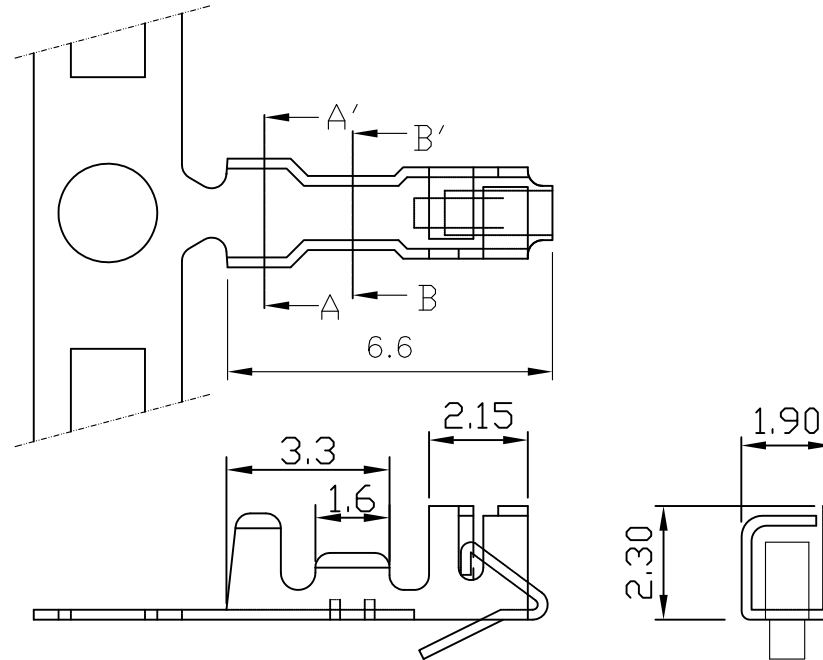
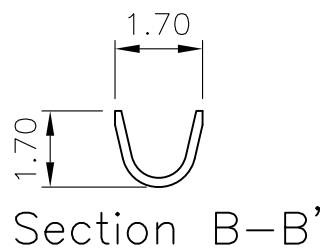
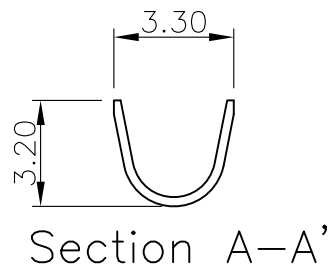


# 2531 .098" (2.5mm) PITCH CRIMP TERMINAL

Features:

unit:mm

- \* THICKNESS: 0.2mm
- \* MAT'L: PHOSPHOR BRONZE OR BRASS TIN PLATED
- \* MATES WITH: 2530 SERIES HOUSING
- \* ACCEPT WITH: 2532 & 2533 SERIES WAFER
- \* ACCEPTS: 0.64"(.025") ROUND OR SQ PIN



PART NO.	WIRE RANGE	INSULATION O.D.	MATERIAL	FINISH	QTY/REEL
2531	AWG#22-28	ø1.9mm max	brass	Tin-plated	8,000
2531P	AWG#22-28	ø1.9mm max	Phosphor bronze	Tin-plated	8,000