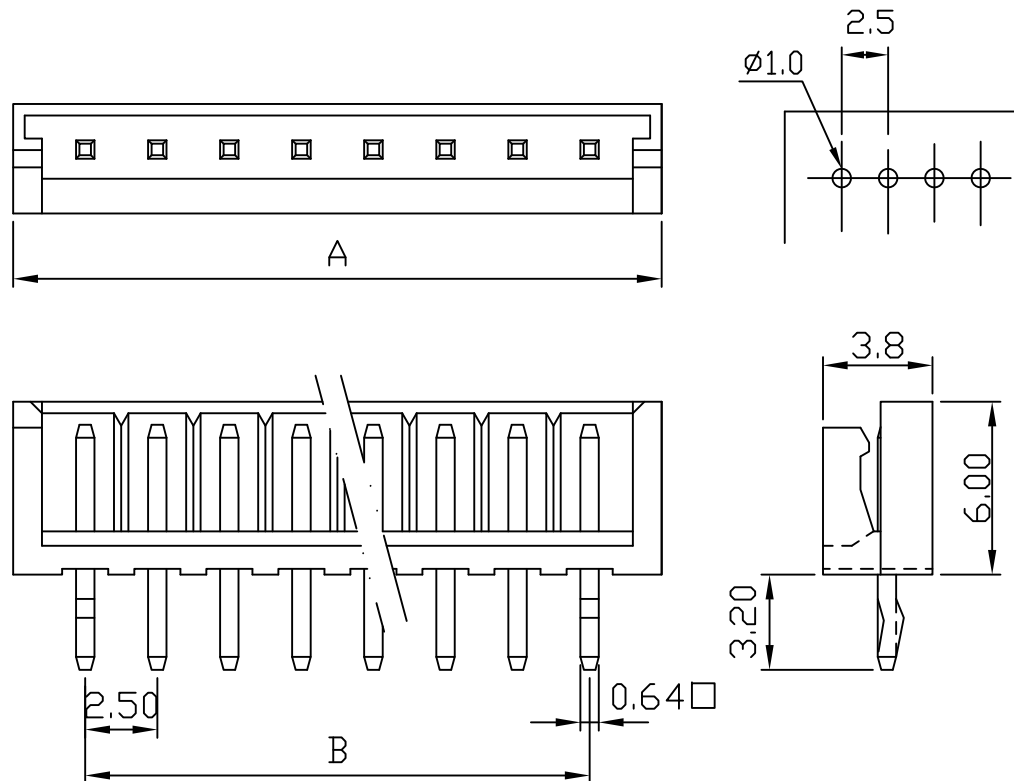


2570PS .098" (2.5mm) PITCH Headers—Straight

unit:mm

Features:

- * MAT'L:BODY: NYLON 66 UL94V-0
PINS : BRASS TIN PLATED
- * MATES WITH: 2570H SERIES HOUSING
- * ACCEPTS WITH: 2570 SERIES TERMINAL



| PART NO. | A | B |
|-----------|------|------|
| 2570PS-02 | 7.5 | 2.5 |
| 2570PS-03 | 10.0 | 5.0 |
| 2570PS-04 | 12.5 | 7.5 |
| 2570PS-05 | 15.0 | 10.0 |
| 2570PS-06 | 17.5 | 12.5 |
| 2570PS-07 | 20.0 | 15.0 |
| 2570PS-08 | 22.5 | 17.5 |
| 2570PS-09 | 25.0 | 20.0 |
| 2570PS-10 | 27.5 | 22.5 |
| 2570PS-11 | 30.0 | 25.0 |
| 2570PS-12 | 32.5 | 27.5 |
| 2570PS-13 | 35.0 | 30.0 |
| 2570PS-14 | 37.5 | 32.5 |
| 2570PS-15 | 40.0 | 35.0 |