

2511 .100" (2.54mm) PITCH CRIMP TERMINAL

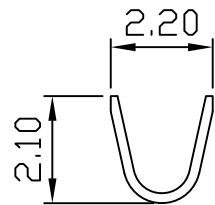
Features:

unit:mm

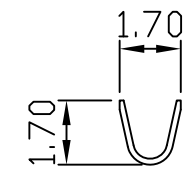
- * THICKNESS: 0.2mm
- * MAT'L:PHOSPHOR BRONZE & BRASS TIN PLATED
- * MATES WITH : 2510 SERIES HOUSING
- * ACCEPTS WITH : 2600PS & 2600PR SERIES WAFER
- * ACCEPTS WITH 0.64mm(.025") SQUARE PIN

2511

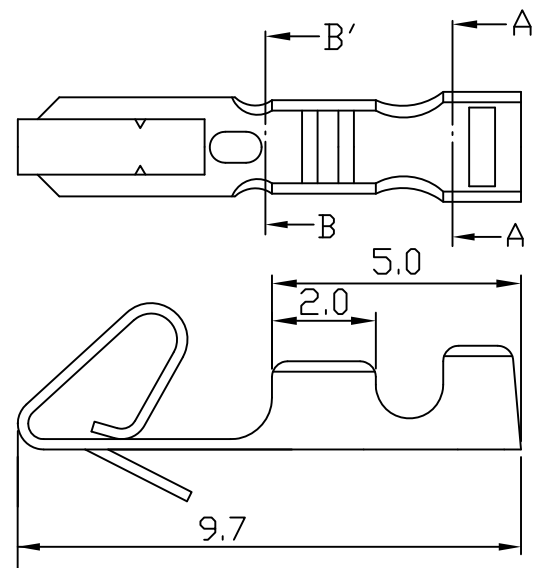
2511P



Section A-A'



Section B-B'



PART NO.	WIRE RANGE	INSULATION O.D.	MATERIAL	FINISH	QTY/REEL
2511	AWG #22-28	ø1.5mm max	BRASS	Tin-plated	10,000
2511-P	AWG #22-28	ø1.5mm max	PHOSPHOR BRONZE	Tin-plated	10,000