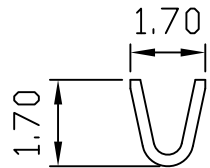


# 2550CT .100" (2.54mm) PITCH TERMINAL

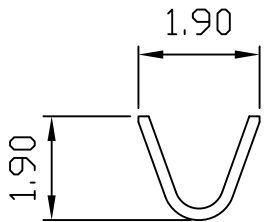
Features:

unit:mm

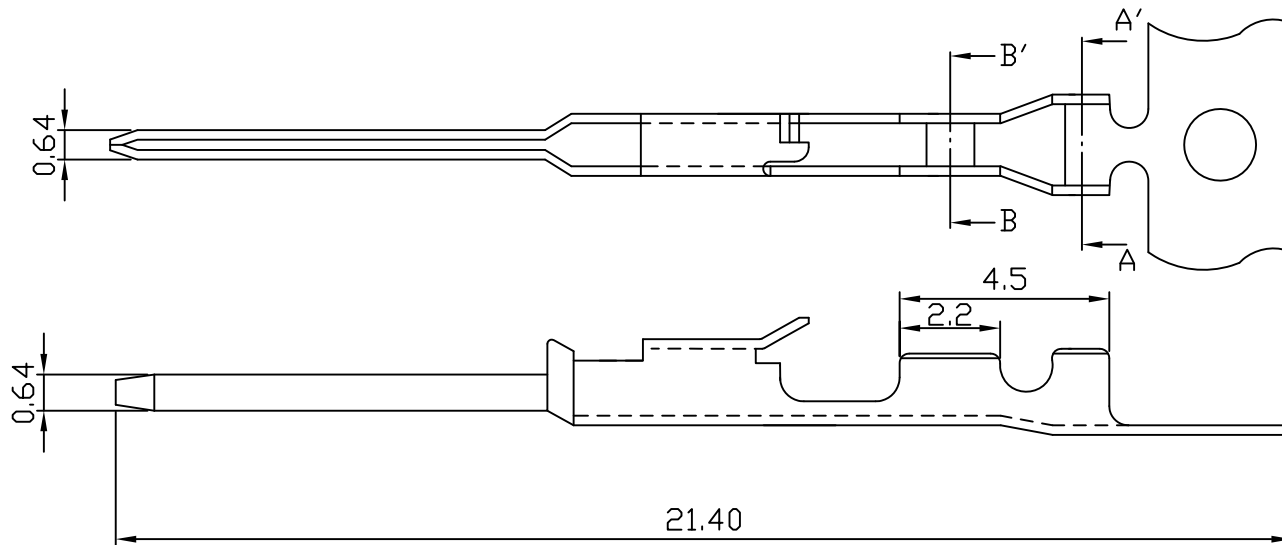
- \* THICKNESS: 0.2mm
- \* MAT'L: BRASS TIN PLATED
- \* MATES WITH: 2550CH SERIES HOUSING
- \* ACCEPTS WITH: 2551 SERIES TERMINAL



Section B-B'



Section A-A'



PART NO.	WIRE RANGE	INSULATION O.D.	MATERIAL	FINISH	QTY/REEL
2550CT	AWG#24-#28		BRASS	TIN PLATED	