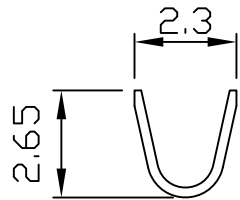


2563 .100" (2.54mm) PITCH CRIMP TERMINAL

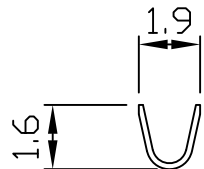
Features:

unit:mm

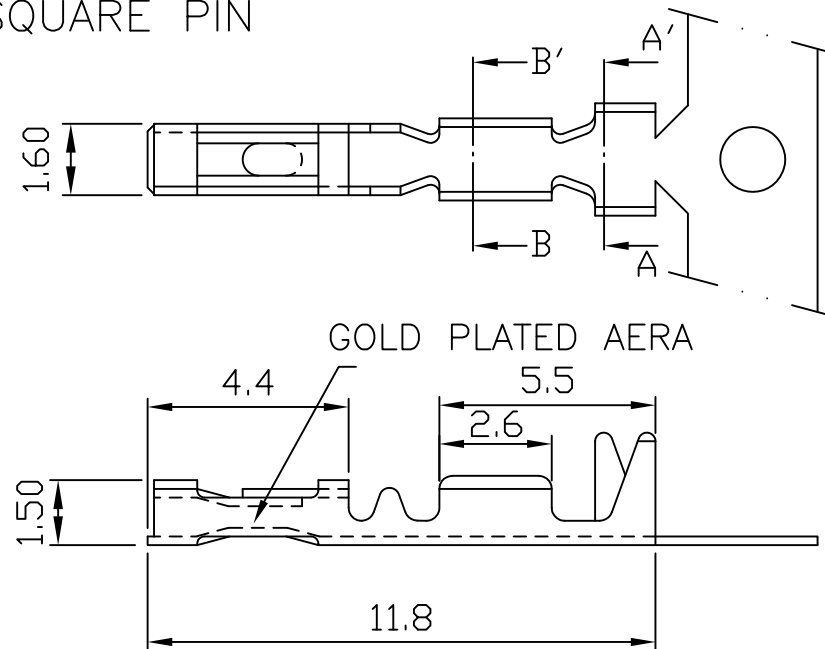
- * THICKNESS: 0.2mm
- * MAT'L: BRASS OR PHOSPHOR BRONZE GOLD PLATED
- * MATES WITH: 2663 SERIES TERMINAL
- * ACCEPTS WITH: 2561H & 2562H & 2561H-04K SERIES HOUSING
- * ACCEPTS WITH: 2540 2541 2543 2545 SERIES WAFER
- * ACCEPTS WITH: 2561PS-04K 2561PR-04K WAFER
- * ACCEPTS WITH: 0.64(.025") SQUARE PIN



Section A-A'



Section B-B'



PART NO.	WIRE RANGE	INSULATION O.D.	MATERIAL	FINISH	QTY/REEL
2563	AWG#24-#26	ø1.2~ø1.0mm	Brass	GOLD PLATED- OVER NIKEL	10,000
2563-P	AWG#24-#26	ø1.2~ø1.0mm	Phosphor bronze	GOLD PLATED- OVER NIKEL	10,000