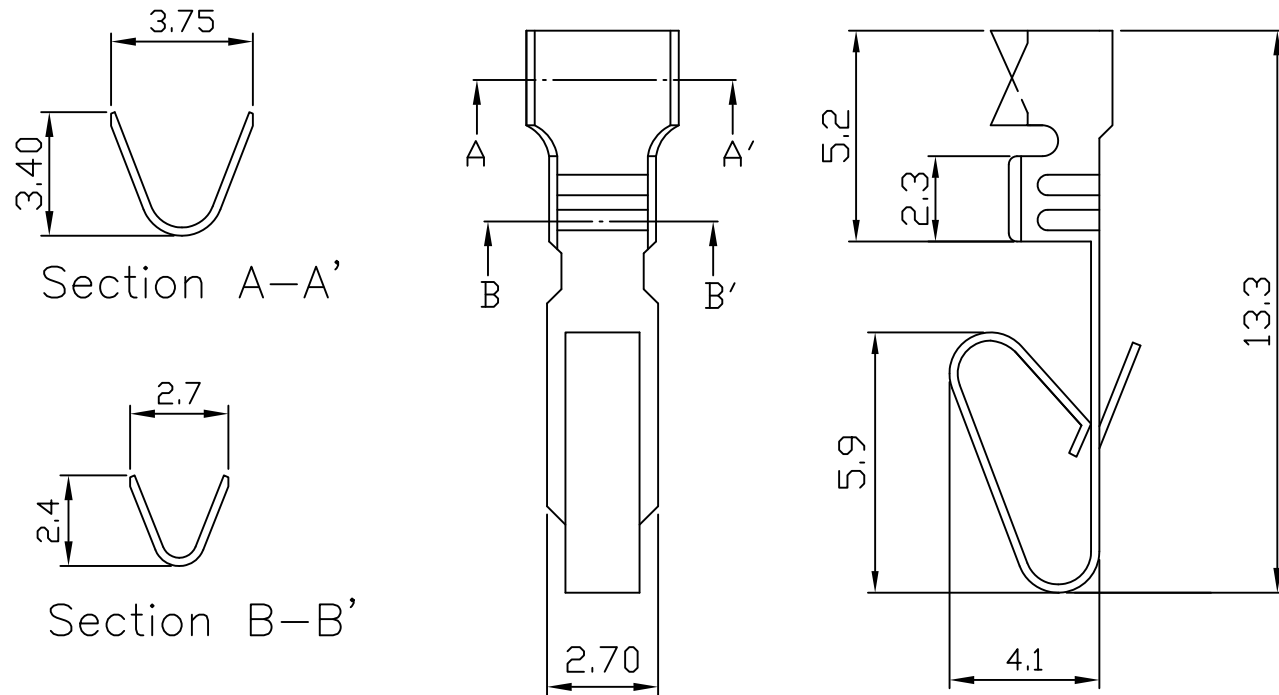


8478 3.96/5.0/5.08 .156" (5.0mm)x .295" (7.5mm) PITCH TERMINAL

Features:

unit:mm

- * THICKNESS: 0.25mm&0.30mm
- * MAT'L: BRASS OR PHOSPHOR BRONZE TIN PLATED
- * MATES WITH: 5000 5080 7500 8639 SERIES HOUSING



PART NO.	WIRE RANGE	INSULATION O.D.	MATERIAL	FINISH	QTY/REEL
8478	AWG #18-#22	ø2.8mm MAX	Brass	Tin-plated	7,000
8478-P	AWG #18-#22	ø2.8mm MAX	Phosphor brass	Tin-plated	7,000