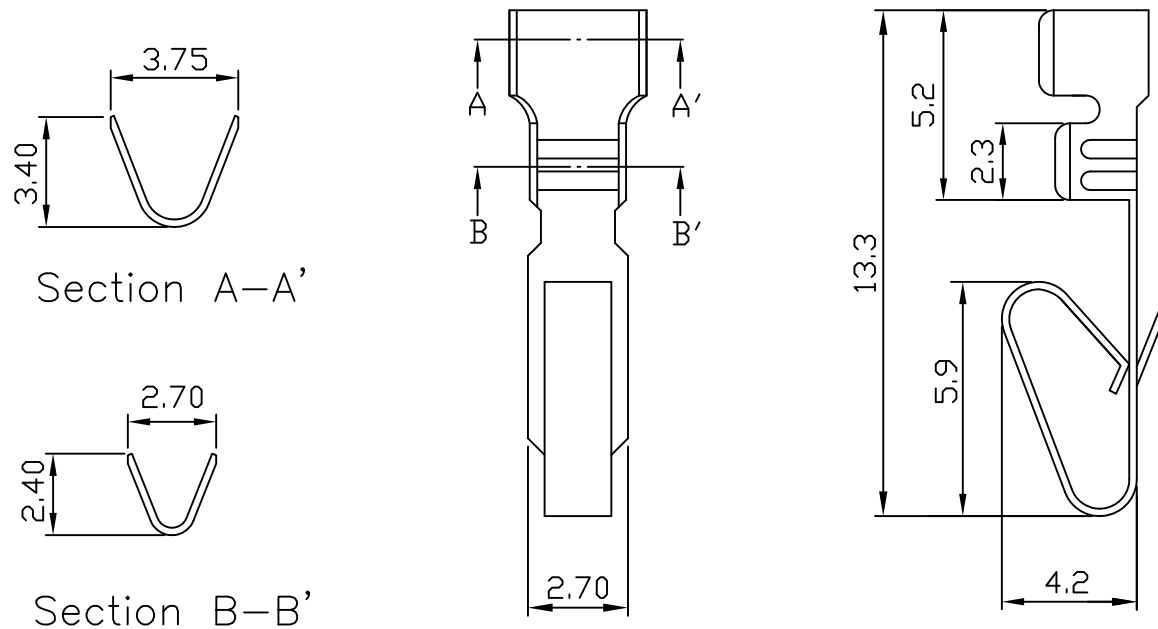


8578 .156" (3.96mm) PITCH CRIMP TERMINAL

unit:mm

Features:

- * THICKNESS: 0.25mm & 0.30mm
- * MAT'L: BRASS & PHOSPHOR BRONZE TIN PLATED
- * MATES WITH: 8639 8669 SERIES HOUSING
- * ACCEPTS WITH: 1.14mm (.045") SQUARE PIN



PART NO.	WIRE RANGE	INSULATION O.D.	MATERIAL	FINISH	QTY/REEL
8578	AWG #16-#20	∅2.8mm max	BRASS/PHOSPHOR BRONZE	Tin-plated	6,000