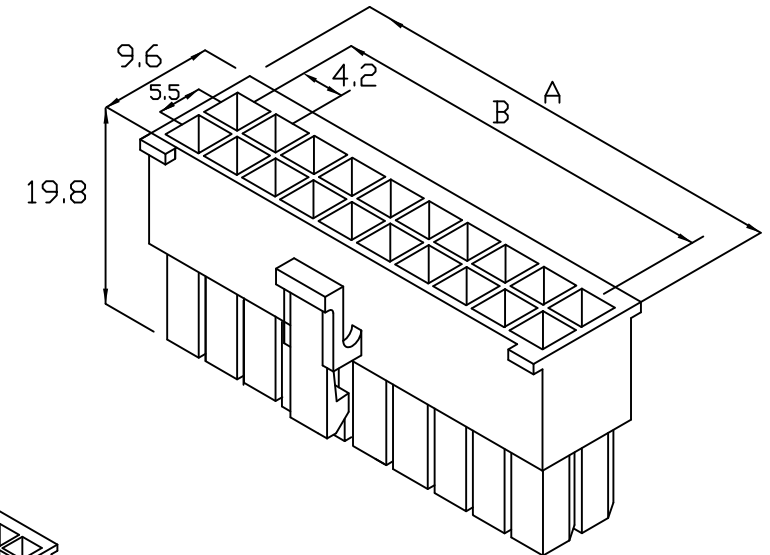


5016H 1.65" (4.2mm) PITCH CRIMP HOUSING

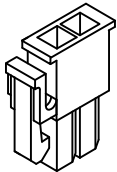
unit:mm

Features:

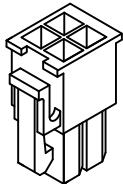
- * MAT'L: NYLON 66 UL94V-2
- * MATES WITH 5016 SERIES TERMINAL
- * ACCEPTS WITH: 5015H SERIES HOUSING



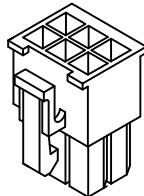
5016H-02
(2X1)



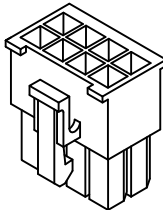
5016H-04
(2X2)



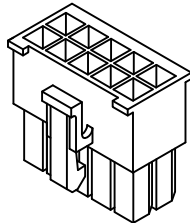
5016H-06
(2X3)



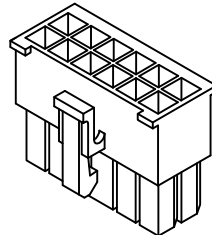
5016H-08
(2X4)



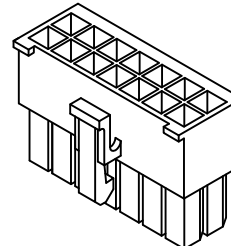
5016H-10
(2X5)



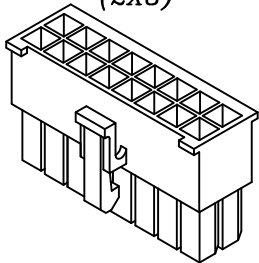
5016H-12
(2X6)



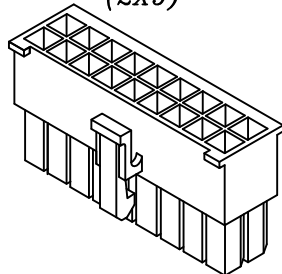
5016H-14
(2X7)



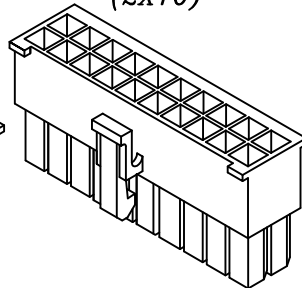
5016H-16
(2X8)



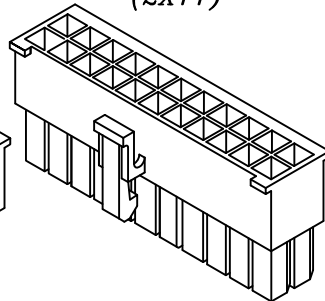
5016H-18
(2X9)



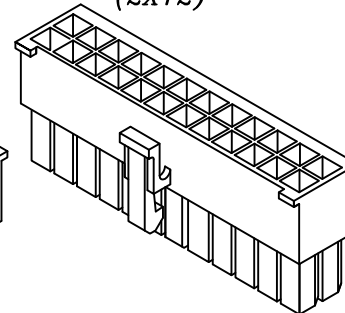
5016H-20
(2X10)



5016H-22
(2X11)



5016H-24
(2X12)



PART NO.	A	B
5016H-02 (2x1)	5.40	
5016H-04 (2x2)	9.60	4.2
5016H-06 (2x3)	13.80	8.4
5016H-08 (2x4)	18.00	12.6
5016H-10 (2x5)	22.20	16.8
5016H-12 (2x6)	26.40	21.0
5016H-14 (2x7)	30.60	25.2
5016H-16 (2x8)	34.80	29.4
5016H-18 (2x9)	39.00	33.6
5016H-20 (2x10)	43.20	37.8
5016H-22 (2x11)	47.40	42.0
5016H-24 (2x12)	51.60	46.2