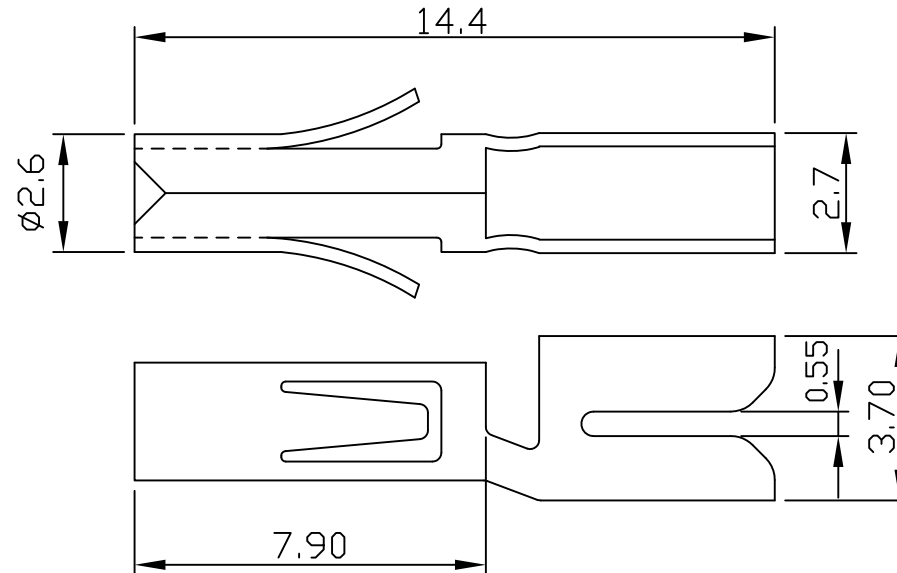


8613 .200" (5.08mm) PITCH CRIMP TERMINAL

unit:mm

Features:

- * THICKNESS: 0.3mm
- * MAT'L: BRASS TIN PLATED
- * MATES WITH: 8613H-04 SERIES HOUSING



PART NO.	WIRE RANGE	INSULATION O.D.	MATERIAL	FINISH	QTY/REEL
8613	AWG#18-#20	$\phi 1.5 \sim \phi 1.2$ mm	BRASS	Tin-plated	5,000