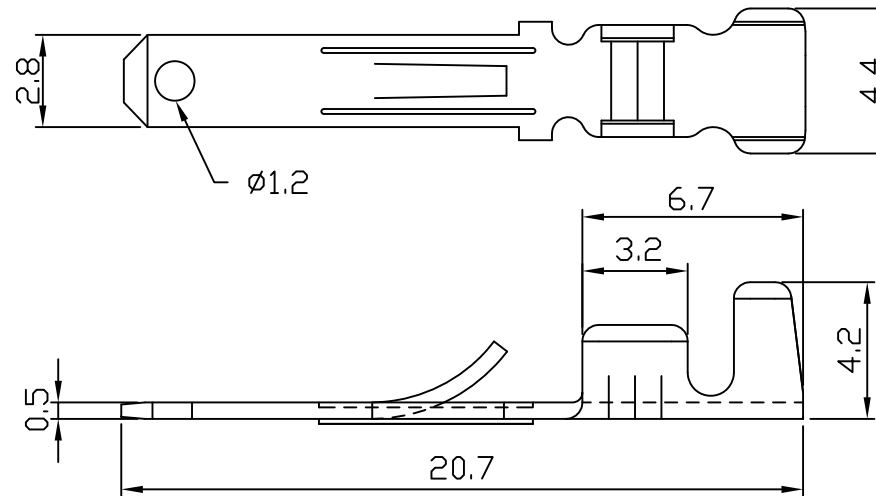


E631 FASTON TERMINAL

unit:mm

Features:

- * THICKNESS: 0.5mm
- * MATERIAL: BRASS
- * TREATMENT: CHEMICAL GRADING
- * ACCEPTS : E731 SERIES TERMINAL



PART NO.	WIRE RANGE	INSULATION O.D.	MATERIAL	FINISH	QTY/REEL
E631	AWG#18-#22	$\phi 1.9 \sim \phi 2.5$ mm	BRASS	—	5000