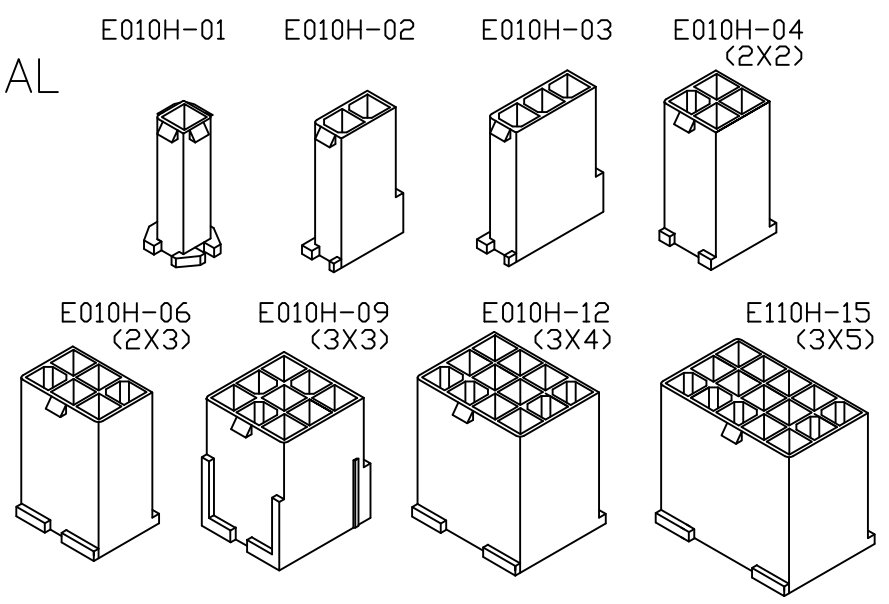
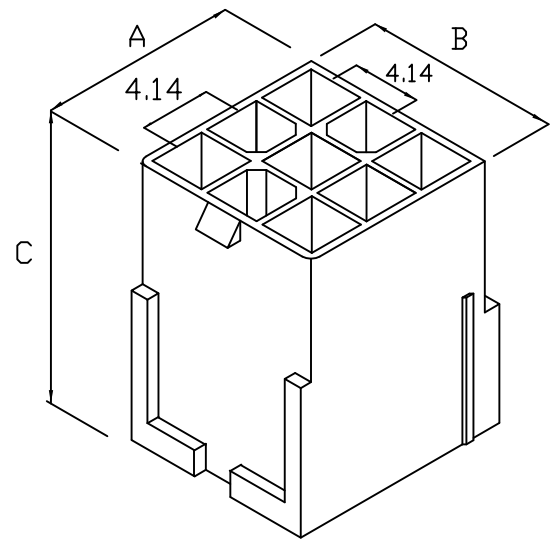


E010H SERIES .163" (4.14mm) pitch HOUSING

Features:

- * MAT'L: NYLON66 UL94 V-2
- * MATES E010 SERIES TERMINAL
- * ACCEPTS WITH: E110H SERIES HOUSING

unit:mm



PRAT NO	A	B	C
E010H-01	5.6	5.6	24.0
E010H-02 (2X1)	9.8	5.6	24.0
E010H-03 (3X1)	14.0	5.6	24.0
E010H-04 (2X2)	9.8	9.8	24.0
E010H-06 (2X3)	9.8	14.0	24.0
E010H-09 (3X3)	14.0	14.0	24.0
E010H-12 (3X4)	14.0	18.5	24.0
E010H-15 (3X5)	14.0	22.5	24.0