

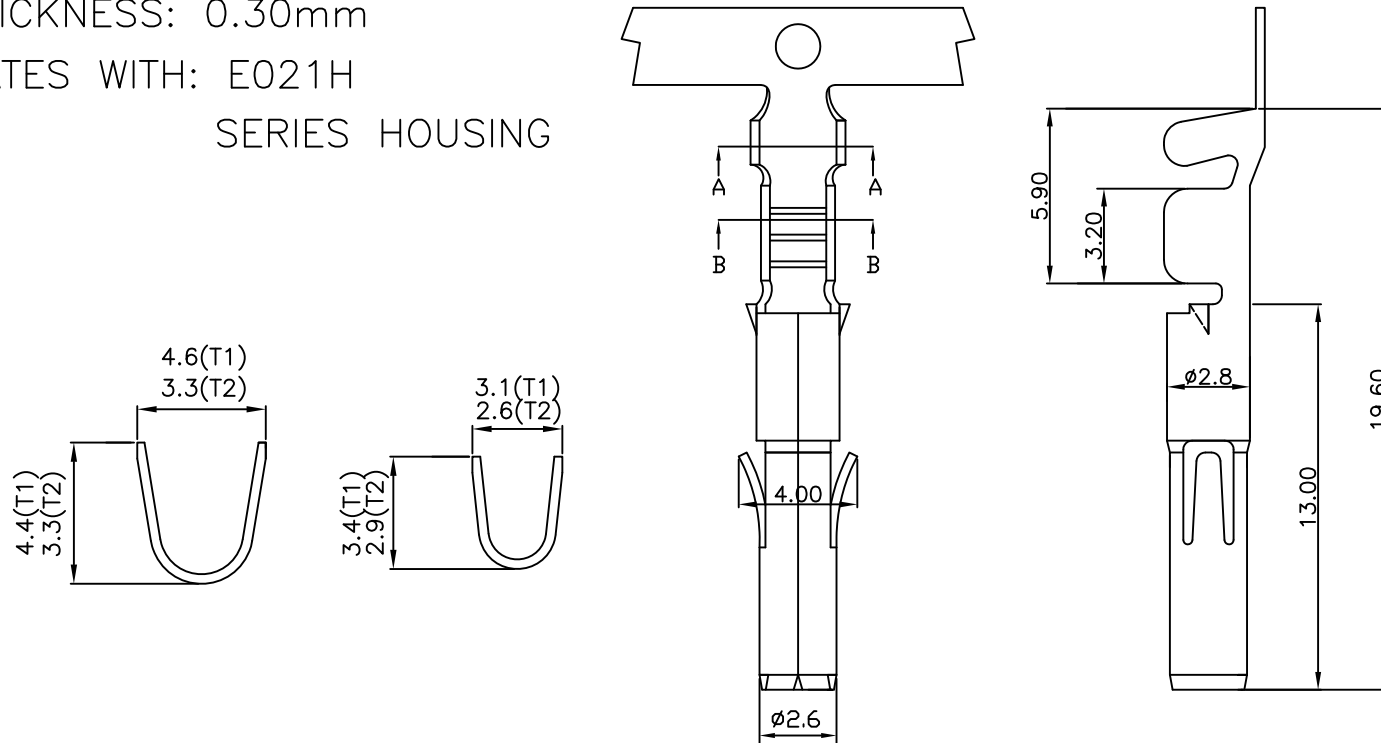
E121 CRIMP TERMINAL

unit:mm

E121

Features:

- * THICKNESS: 0.30mm
- * MATES WITH: E021H
SERIES HOUSING



PART NO.	WIRE RANGE	INSULATION O.D.	MATERIAL	FINISH	QTY/REEL
E121T1	AWG#20-14	3.4mm MAX	BR0SPHOR	Tin-plated	4000
E121T2	AWG#24-18	3.4mm MAX	BR0SPHOR	Tin-plated	7000