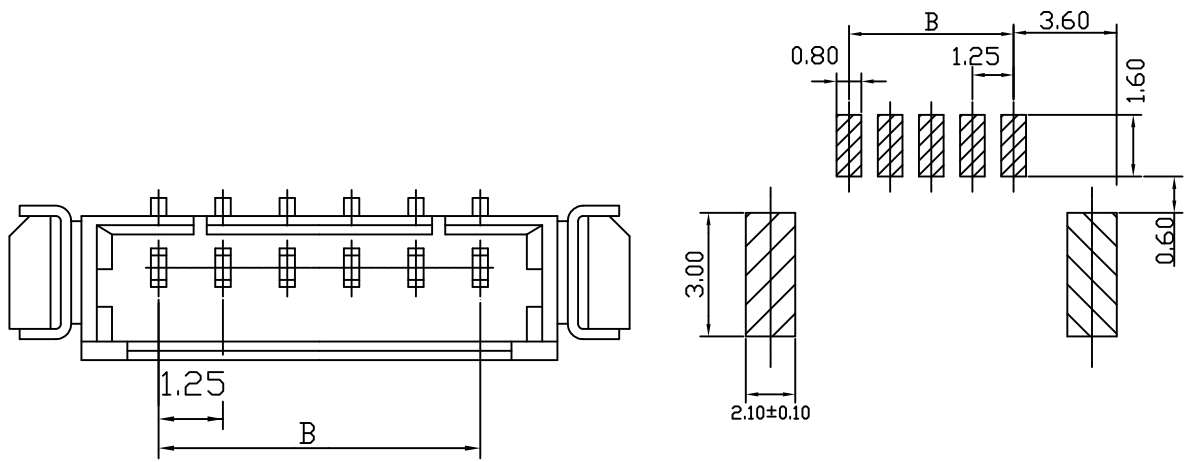


# *M125PS(SMT)* .049" (1.25mm) PITCH Headers—Straight

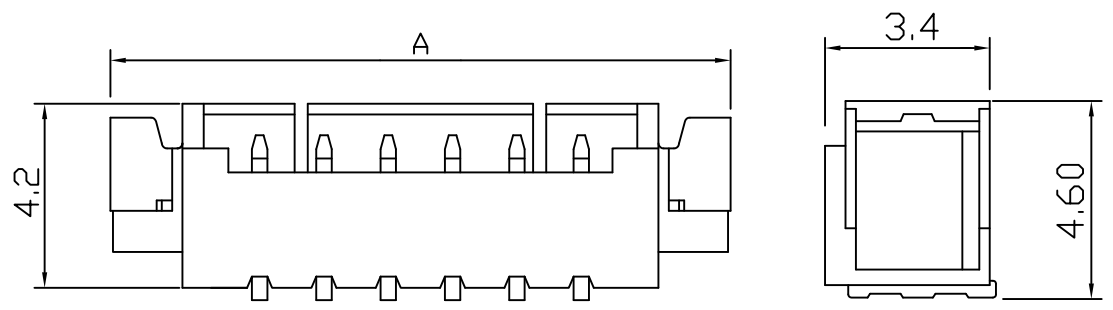
unit:mm

## Features:

- \* MAT'L: BODY: NYLON 6T UL94V-0  
PINS: BRASS TIN PLATED
- \* MATES WITH: M125H SERIES HOUSING
- \* ACCEPTS WITH: M125 SERIES TERMINAL



P.C.B. layout



PART NO.	Dim A	Dim B	PCS/REEL
M125PS-02	7.75	1.25	1,000
M125PS-03	9.00	2.50	1,000
M125PS-04	10.25	3.75	1,000
M125PS-05	11.50	5.00	1,000
M125PS-06	12.75	6.25	1,000
M125PS-07	14.00	7.50	1,000
M125PS-08	15.25	8.75	1,000
M125PS-09	16.50	10.00	1,000
M125PS-10	17.75	11.25	1,000
M125PS-11	19.00	12.50	1,000
M125PS-12	20.25	13.75	1,000
M125PS-13	21.50	15.00	1,000
M125PS-14	22.75	16.25	1,000
M125PS-15	24.00	17.50	1,000