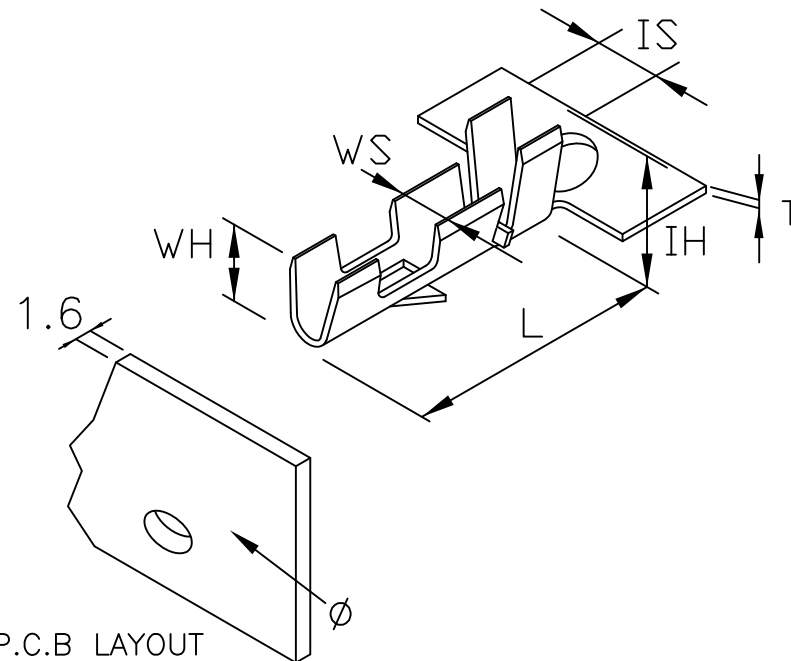


DIP TYPE SERIES

unit:mm



D10
D121

PART/NO.	WIRE RANGE	T	L	WS	WH	IS	IH	P.C.B(Ø)	C/W	P.C.B(T)	MATERIAL	FINISH
D10	AWG#24-28	0.15	5.8	1.5	1.3	2.4	2.4	Ø1.0	0.8	1.2-1.6	BRASS	Tin-plated
D121	AWG#24-28	0.2	6.8	1.2	1.4	2.3	1.9	Ø1.2	1.0			