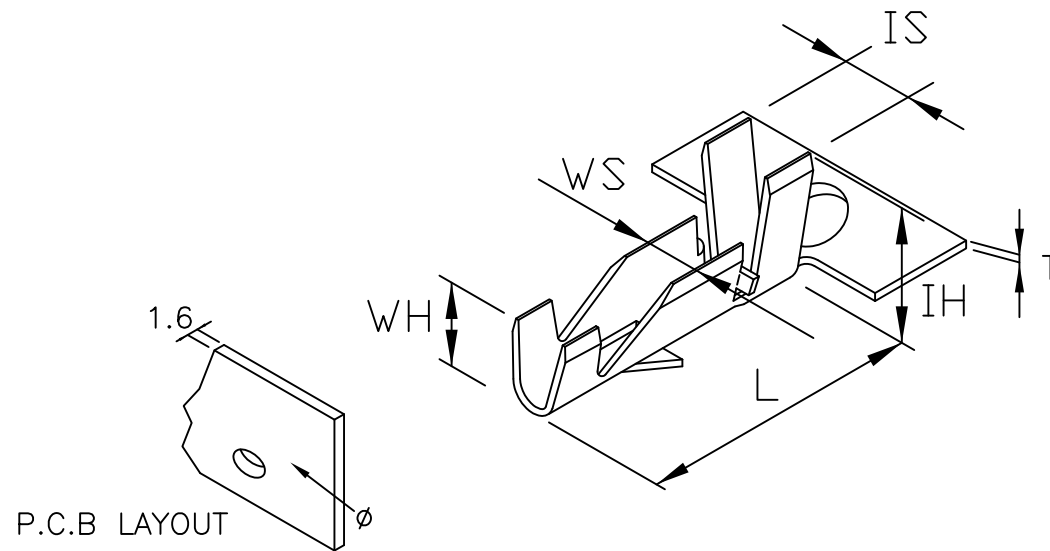


DIP TYPE SERIES

unit:mm



D182(Low)
D185(High)

PART/NO.	WIRE RANGE	T	L	WS	WH	IS	IH	P.C.B(ϕ)	C/W	P.C.B<T>	MATERIAL	FINISH
D182(Low)	AWG#18-22	0.2	7.0	2.0	1.9	4.4	4.2	ϕ 1.8	1.55	1.2-1.6	BRASS	Tin-plated
D185(High)	AWG#18-22	0.2	7.0	2.9	2.6	5.7	4.6	ϕ 1.8	1.55			