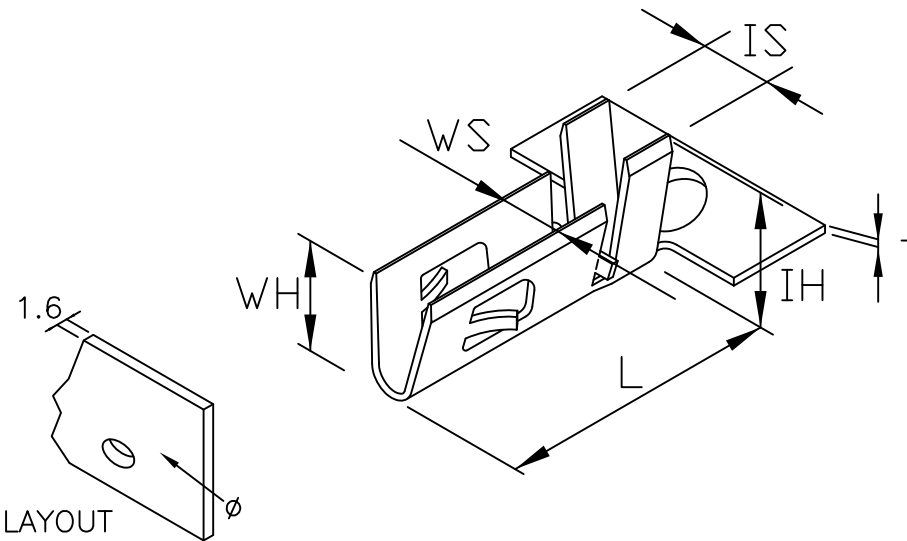


DIP TYPE SERIES

unit:mm



D1831A
D161A
D262A

P.C.B LAYOUT

PART/NO.	WIRE RANGE	T	L	WS	WH	IS	IH	P.C.B(φ)	C/W	P.C.B(T)	MATERIAL	FINISH
D1831A D1831A-P	AWG#18-24	0.2	6.0	2.3	2.3	3.8	3.4	φ1.8	1.55	1.6	BRASS PHOSPHOR	Tin-plated
D161A	AWG#22-26	0.2	6.0	2.3	2.1	4.8	3.4	φ1.6	1.4	1.6	BRASS	
D262A D262A-P	AWG#18-20	0.2	6.1	2.7	3.0	5.0	5.0	φ2.6	2.2	1.6	BRASS PHOSPHOR	