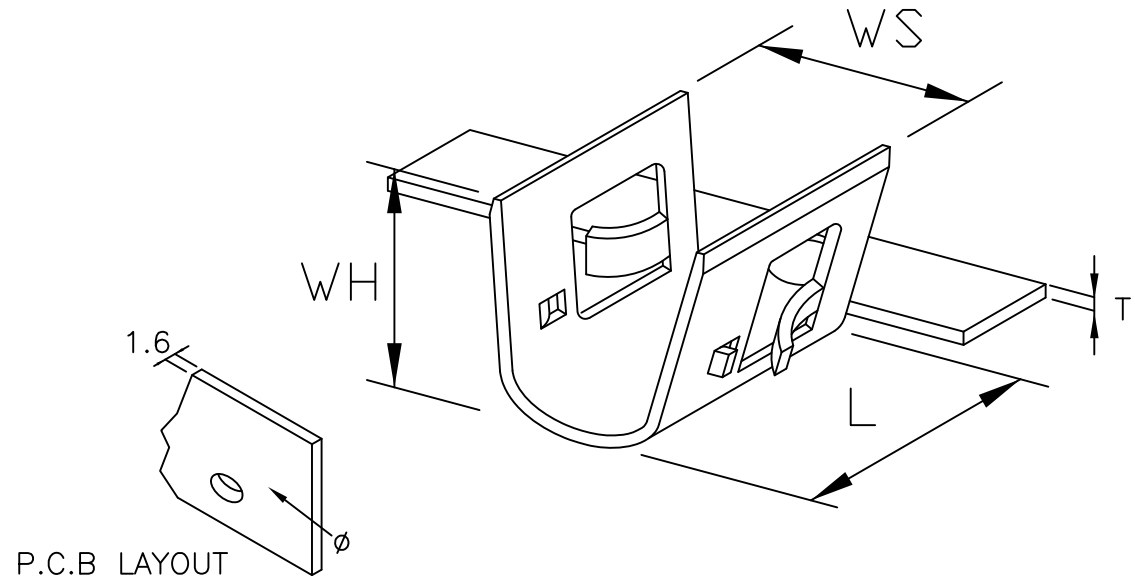


DIP TYPE SERIES

unit:mm



D32

PART/NO.	WIRE RANGE	T	L	WS	WH	IS	IH	P.C.B(ϕ)	C/W	P.C.B(T)	MATERIAL	FINISH
D32-P	AWG#18-22	0.3	5.7	5.6	4.4	4.3	4.0	3.2	1.55	1.6	PHOSPHOR	Tin-plated