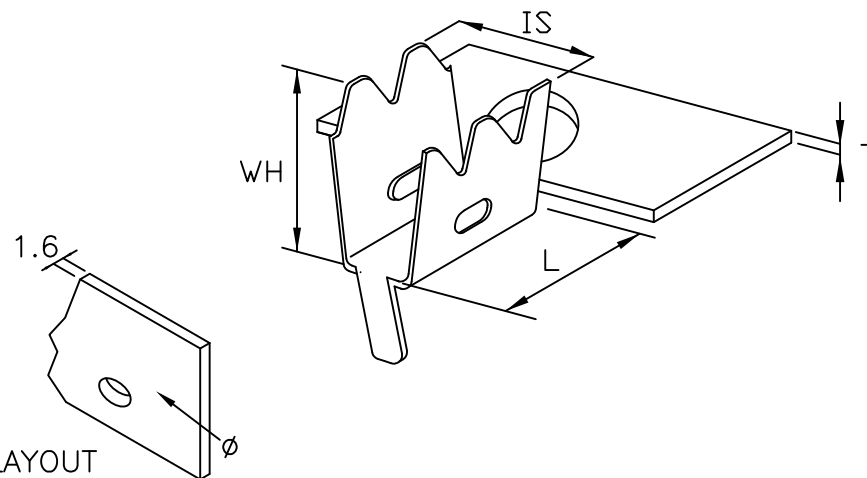


DIP TYPE SERIES

unit:mm



P.C.B LAYOUT

8811

PART/NO.	WIRE RANGE	T	L	WS	WH	IS	IH	P.C.B(ϕ)	C/W	P.C.B(T)	MATERIAL	FINISH
8811	AWG#18 2C-6C	—	14.3	5.4	5.0	10.0	8.4	3.2	2.5	1.6	BRASS	Tin-plated