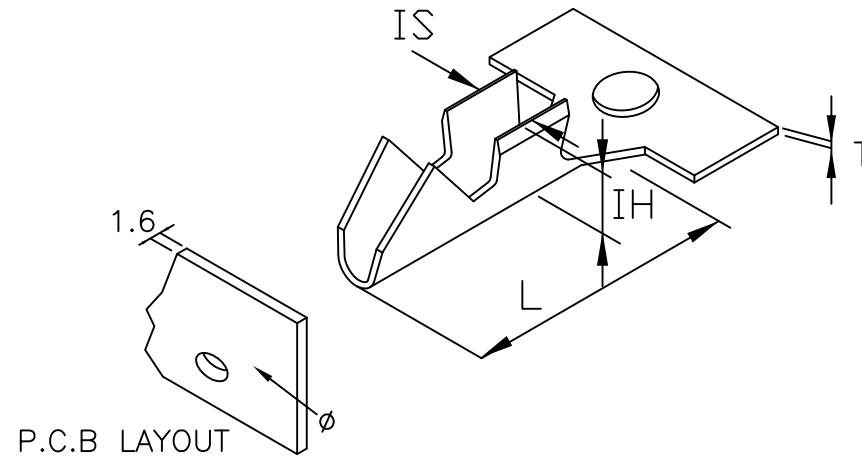


DIP TYPE SERIES

unit:mm



1133

PART/NO.	WIRE RANGE	T	L	IS	IH	P.C.B(ϕ)	C/W	P.C.B(T)	MATERIAL	FINISH
1133	AWG#18-22	0.2	4.2	1.5	0.97	1.8	1.55	1.2-1.6	BRASS	TIN-plated