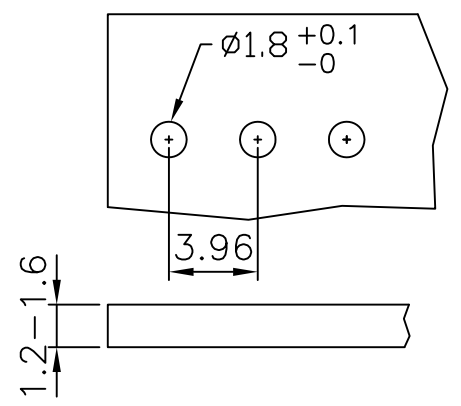


D181HT .156" (3.96mm) PITCH BOARD-IN CONNECTOR

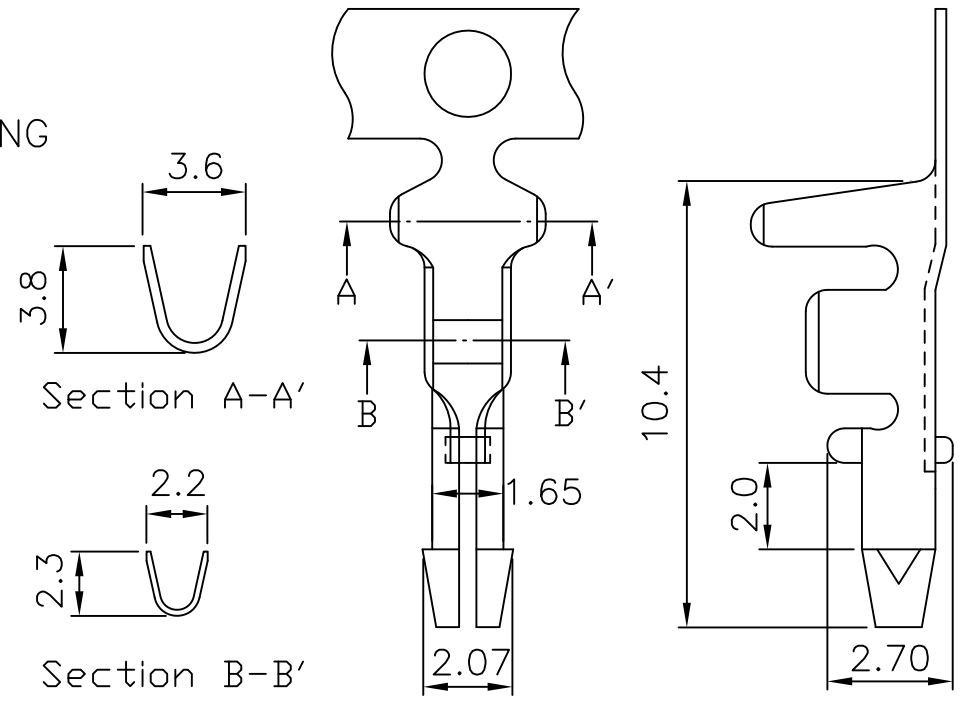
unit:mm

Features:

- * THICKNESS: 0.25mm
- * MAT'L: BRASS TIN PLATED
- * CURRENT RATING: 7A AC DC
- * VOLTAGE RATING: 250V AC.DC
- * MATES WITH: D181H SERIES HOUSING
- * P.C BOARD DIP IN TERMINAL
- * P.C BOARD THICKNESS:1.2-1.6



P.C.BOARD LAYOUT



PART NO.	WIRE RANGE	INSULATION O.D	MATERIAL	FINISH	QTY/REEL
D181HT	AWG#18-#22	2.50mm MAX	BRASS	Tin-plated	7,000